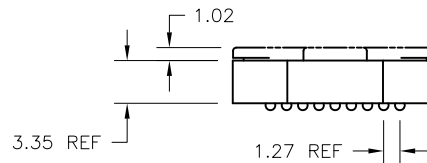
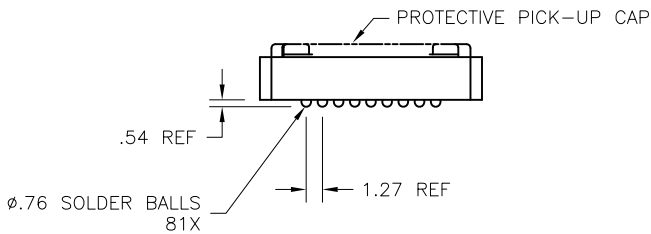
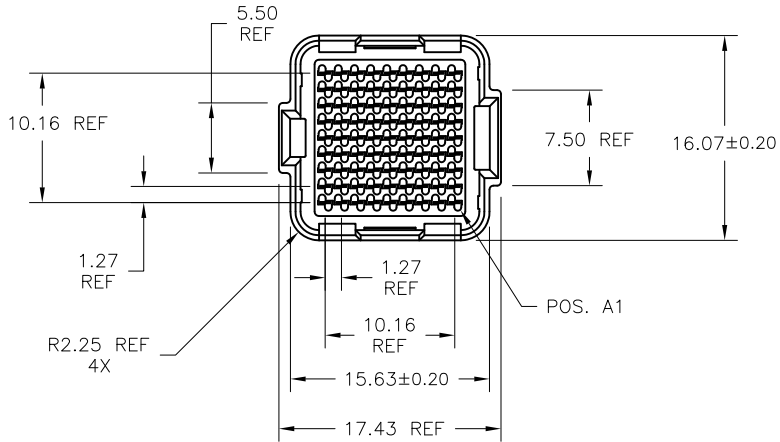


PRODUCT No.
SEE SHEET 2



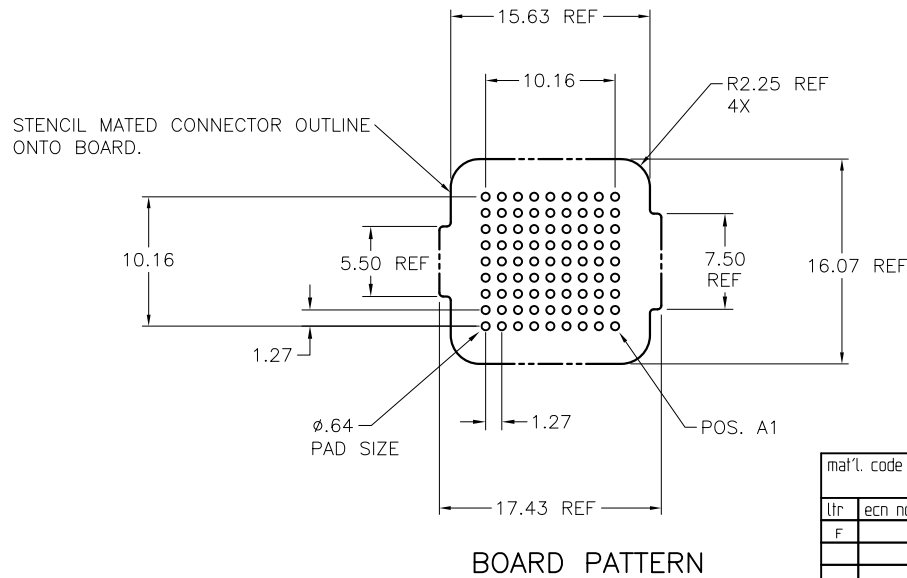
NOTES:

- ①. MAT'L
HOUSING: LCP
CONTACT: COPPER ALLOY

PLATING
CONTACT: (SEE TABLE ON SHEET 2)
SOLDER BALL: (SEE TABLE ON SHEET 2)
EUTECTIC SnPb OR LEAD FREE
95.5Sn/4Ag/0.5Cu
2. OVERALL BOARD-TO-BOARD STACK HEIGHT WHEN MATED TO P/N 55715 81 POSITION 4.0mm RECPT. IS 4.0mm REF.
3. PLATING FOR -2XX SERIES DASH NOS. MEETS THE REQUIREMENTS OF CENTRAL OFFICE ENVIRONMENT, (25 YEAR LIFE EXPECTANCY).
- ④. FOR PROPER APPLICATION FOLLOW FCI APPLICATION SPECIFICATION GS-20-033 LEAD FREE SOLDER BALLS WILL NOT SOLDER PROPERLY IN A LEADED SOLDER PROCESS DUE TO A HIGHER REFLOW TEMPERATURE. LEAD FREE PRODUCT IS THEREFORE NOT BACKWARDS COMPATIBLE WITH LEADED OR SOME SOLDERING APPLICATIONS. REFERENCE FCI APPLICATION SPECIFICATION
- ⑤. THIS PRODUCT MEETS EUROPEAN UNION DIRECTIVES AND OTHER COUNTRY REGULATIONS AS DESCRIBED IN GS-22-008 PRODUCT MEETING THIS DIRECTIVE IS IDENTIFIED IN THE LOT CODE NUMBER MARKED ON EACH PART BY HAVING AN "X" IN THE SEVENTH CHARACTER POSITION

mat'l. code		surface		tolerance		projection		product family	
-		ASME Y14.5		ASME Y14.5				MEG-Array	
ltr		ecn no		dr		date		title	
A		V20800		DAI		2002-04-24		0mm PLUG ASSY. 9X9 = 81 POSITION	
B		V20949		DAI		2002-08-15			
C		V03-0678		DAI		2003-06-18			
D		V04-0940		VS		2004-10-09		scale 1:1	
E		V06-0560		LP		2006-07-14			
F		V12-0040		DCH		2102-11-14			
sheet		revision		F		F		dwg no	
index		sheet		1		2		sheet 1 of 3	
				3				size	
								55714	
								A4	
								type	
								CUSTOMER Drawing	

PRODUCT No.	PICK-UP CAP	CONTACT PLATING	SOLDER BALL
55714-002	YES	15u" (.38um) Au OVER Ni	SnPb
55714-002LF			SnAgCu LEAD FREE, NOTE 5
55714-092	YES	15u" (.38um) GXT OVER Ni	SnPb
55714-092LF			SnAgCu LEAD FREE, NOTE 5
55714-102	YES	30u" (.76um) Au OVER Ni	SnPb
55714-102LF			SnAgCu LEAD FREE, NOTE 5
55714-192	YES	30u" (.76um) GXT OVER Ni	SnPb
55714-192LF			SnAgCu LEAD FREE, NOTE 5
55714-202	YES	SPECIAL Au PLATING, SEE NOTE 3	SnPb, NOTE 3
55714-202LF			SnAgCu LEAD FREE, NOTES 3 AND 5
55714-292	YES	SPECIAL GXT PLATING, SEE NOTE 3	SnPb, NOTE 3
55714-292LF			SnAgCu LEAD FREE, NOTES 3 AND 5



mat'l. code		surface		tolerance		projection		product family	
-		ASME Y14.5		ASME Y14.5				MEG-Array	
ltr	ecn no	dr	date	tolerances unless otherwise specified				title	
F				angles		MM		9mm PLUG ASSY.	
				0° ±2'		scale 1:1		9X9 = 81 POSITION	
		dr	D.WAUGHEN	4-9-01				dwg no	
		enr	J.KONTOS	4-9-01				sheet 2 of 3	
		chr	J.KONTOS	4-9-01				size	
		appd	J.KONTOS	4-9-01				A4	
sheet index		revision sheet						type	
								CUSTOMER Drawing	



Copyright FCI

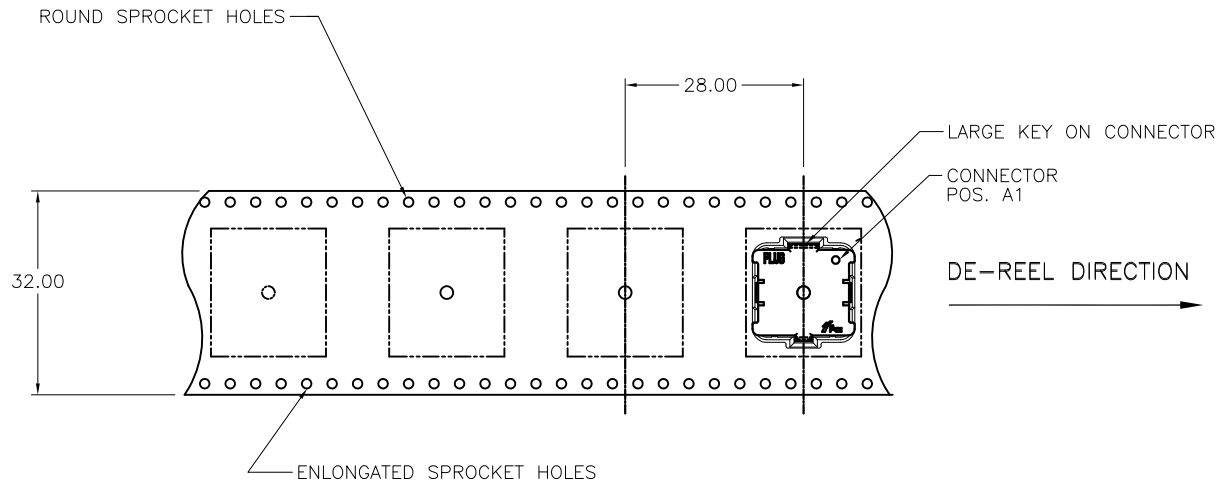
1 | 2



3 |



4



mat'l. code		surface		tolerance		projection		product family		
-		ASME Y14.5		ASME Y14.5				MEG-Array		
ltr	ecr no	dr	date	tolerances unless otherwise specified						
F				angles	$X \pm 3$ $.XX \pm 10$ $XXX \pm 0.50$			title		
				$0^\circ \pm 2'$		scale 1:1		0mm PLUG ASSY. 9X9 = 81 POSITION		
		dr	D.WAUGHEN	4-9-01			dwg no		sheet 3 of 3	size
		engr	J.KONTOS	4-9-01			55714		A4	
		chr	J.KONTOS	4-9-01			type		CUSTOMER Drawing	
		appd	J.KONTOS	4-9-01						
sheet index	revision sheet									

1

2

3

4