



## Key Features

- Through hole mount
- Aesthetically designed
- Wide range of connector options
- RoHS compliant
- 28dBi GPS gain
- 1+2 dBi GSM gain (frequency dependant)
- Screw body mounting
- Waterproof
- IP66 rated

## General Description

The Siretta Tango 6A sharks fin antenna offers an excellent quad band cellular performance coupled with an active GPS stage to provide a reliable antenna and robust body mounting antenna for all car applications.

The Tango 6A is completely waterproof and is a cost effective value design as well as being a robust design.

The Tango 6A is available in many cable lengths and all connector styles.

## GPS Specifications

Impedance:	50 ohm
Peak gain:	>3dBi based on 7cmx7cm ground plane
Gain coverage:	>-4dBi -90° <0 <+90° (over 75% volume)
VSWR:	1.5:1
Centre frequency:	1575.42±3MHz
Bandwidth:	±5MHz
Polarization:	RHCP

## GSM Specifications

Impedance:	50 ohm
Typical gain:	2dBi ± 1dBi @ 850MHz 2dBi± 1dBi @ 900MHz 1dBi ± 1dBi @ 1800MHz 1dBi ± 1dBi @ 1900MHz
VSWR:	2.0:1
Centre frequency:	850/900/1800/1900MHz

Rev 1.3

## LNA/Filter Specifications

LNA Gain (without cable):	28dBi typical
VSWR:	<2.0
DC voltage:	2.7/3.0/3.5/5.0/3.0 to 5.0V etc
DC current:	11mA Max
Noise figure:	1.5dB
Filter out band attenuation (f0=1575.42MHz):	7dB min f0±20MHz 20dB Min f0±50MHz 30dB Min f0±100MHz

## Environmental Specifications

Working temperature:	-40 ~ +85°C
Storage temperature:	-45 ~ +100°C
Vibration:	Sine sweep 1g (0-p) 10~50~10Hz each axis
Humidity:	95 ~ 100% RH
Weatherproof:	100% weatherproof
IP rating:	IP66

## Gain

### GSM

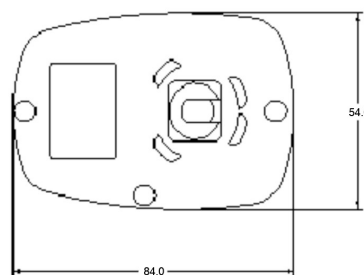
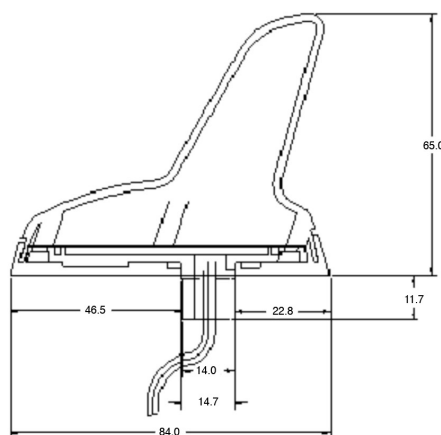
850MHz:	-1.23dBi
900MHz:	-8.85dBi
1800MHz:	-15.15dBi
1900MHz:	-7.42dBi

### GPS

1575.42MHz	-6.04dBi
------------	----------

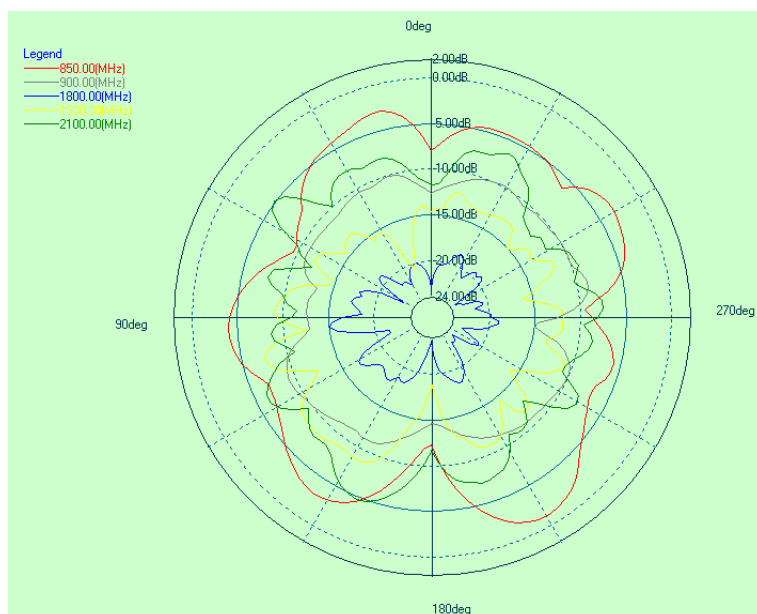
## Mechanical Specifications

Dimensions:	65 x 54 x 84mm (hwl)
Cable:	Please refer to options table below
Connector:	Please refer to options table below
Mounting method:	Screw (hole/roof)



All measurements are given in mm, including rubber seal base

## Gain vs. Frequency Graph



**UL Tested (Basingstoke, UK)**  
Part: TANGO6A/4M/SMAM/SMAM/S/S/20

## Ordering Details

Part Number	Description
TANGO6A/3M/FMEF/FMEF/S/S/20	Combined GSM/GPS Sharks Fin Antenna, 4m Cable, FME Female Connector
TANGO6A/4M/FMEF/SMAM/S/S/20	Combined GSM/GPS Sharks Fin Antenna, 4m Cable, FME Female Connector
TANGO6A/4M/SMAM/SMAM/S/S/20	Combined GSM/GPS Sharks Fin Antenna, 4m Cable, SMA Male Connector