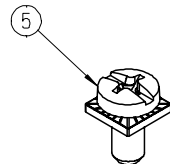
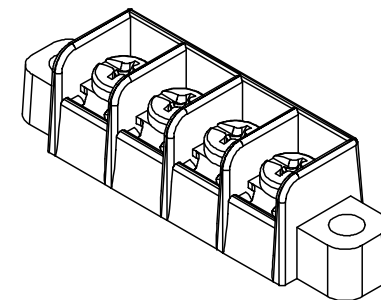
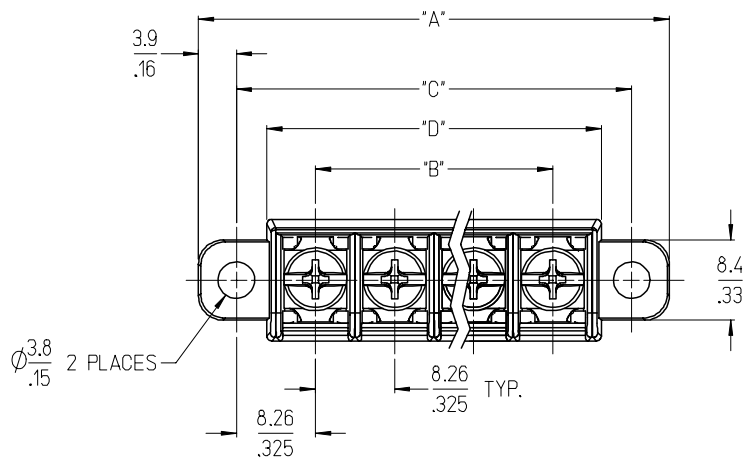


10 9 8 7 6 5 4 3 2 1

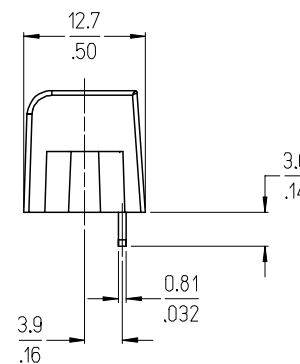
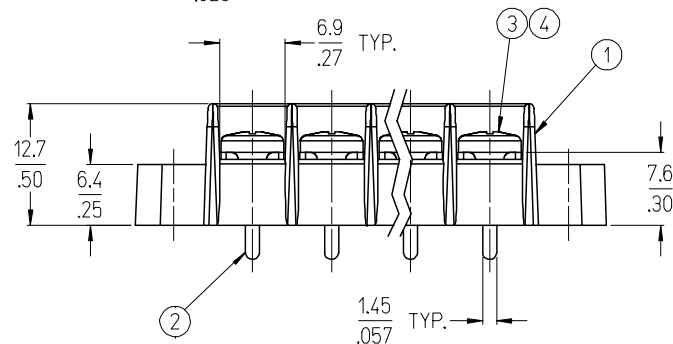
F
E
D
C
B
A



REF. -50 OPT. SCREW
(WHERE APPLICABLE)



4 CIRCUIT SHOWN



NOTES:

- 1. MATERIAL: SEE TABLE
- 2. FINISH: SEE TABLE
- 3. "XX" REFERS TO THE QUANTITY OF CIRCUITS.
- 4. ASSEMBLY IS ROHS COMPLIANT.

| | | | | |
|------|------|---|----------|--------------------|
| 5 | XX | SCREW&WASHER, #6-32X.25, PAN, PH/SL (-50 OPT) | STEEL | ZN, CLEAR CHROMATE |
| 4 | XX | SCREW, #6-32X.25, PAN, PH/SL (-49 OPT) | BRASS | NICKEL PLATE |
| 3 | XX | SCREW, #6-32X.25, PAN, PH/SL (STD.) | STEEL | ZN, CLEAR CHROMATE |
| 2 | XX | TERMINAL, PC | BRASS | TIN PLATE |
| 1 | 1 | INSULATOR, SR, CS, PC | PBT | BLACK |
| ITEM | QTY. | DESCRIPTION | MATERIAL | FINISH |

INITIAL RELEASE
EC NO: ETC2007-0160
DRW: CLYORK 2006/11/20
CHKD: JMACNEIL 2006/11/21
APPR: JMACNEIL 2006/11/22

QUALITY SYMBOLS
▽=0
▽=0

| GENERAL TOLERANCES (UNLESS SPECIFIED) | |
|--|--------|
| mm | INCH |
| 4 PLACES ± --- | ± --- |
| 3 PLACES ± --- | ± .005 |
| 2 PLACES ± 0.13 | ± .01 |
| 1 PLACE ± 0.3 | ± --- |
| ANGULAR ± 2 ° | |
| DRAFT WHERE APPLICABLE MUST REMAIN WITHIN DIMENSIONS | |

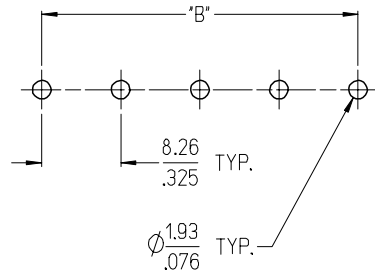
| DIMENSION STYLE | |
|-----------------|------------|
| MM/IN | |
| DRAWN BY | DATE |
| C. YORK | 2006/11/08 |
| CHECKED BY | DATE |
| J. MACNEIL | 2006/11/08 |
| APPROVED BY | DATE |
| J. MACNEIL | 2006/11/08 |
| MATERIAL NO. | |
| SEE SHT. 2 | |

| | | |
|---|--------------|------------------------|
| SCALE | DESIGN UNITS | THIRD ANGLE PROJECTION |
| 2:1 | INCH | |
| TITLE | | |
| 8.26MM [.325] SR BTS, CS PC WITH MTG. | | |
| MOLEX INCORPORATED | | |
| DOCUMENT NO. | SHEET NO. | |
| SD-38704-003 | 1 OF 2 | |
| THIS DRAWING CONTAINS INFORMATION THAT IS PROPRIETARY TO MOLEX INCORPORATED AND SHOULD NOT BE USED WITHOUT WRITTEN PERMISSION | | |

9 8 7 6 5 4 3 2 1

10 9 8 7 6 5 4 3 2 1

| NO. OF CIRCUITS | DIM. "A" | | DIM. "B" | | DIM. "C" | | DIM. "D" | | ASSEMBLY MATERIAL NO. (STANDARD) | ASSEMBLY MATERIAL NO. (-49 OPT) | ASSEMBLY MATERIAL NO. (-50 OPT) |
|-----------------|----------|------|----------|-------|----------|-------|----------|------|----------------------------------|---------------------------------|---------------------------------|
| | mm | in | mm | in | mm | in | mm | in | | | |
| 02 | 32.6 | 1.29 | 8.26 | .325 | 24.77 | .975 | 18.4 | .73 | 387044002 | 387044402 | 387044802 |
| 03 | 40.9 | 1.61 | 16.51 | .650 | 33.02 | 1.300 | 26.7 | 1.05 | 387044003 | 387044403 | 387044803 |
| 04 | 49.1 | 1.94 | 24.77 | .975 | 41.28 | 1.625 | 34.9 | 1.38 | 387044004 | 387044404 | 387044804 |
| 05 | 57.4 | 2.26 | 33.02 | 1.300 | 49.53 | 1.950 | 43.2 | 1.70 | 387044005 | 387044405 | 387044805 |
| 06 | 65.7 | 2.59 | 41.28 | 1.625 | 57.79 | 2.275 | 51.4 | 2.03 | 387044006 | 387044406 | 387044806 |
| 07 | 73.9 | 2.91 | 49.53 | 1.950 | 66.04 | 2.600 | 59.7 | 2.35 | 387044007 | 387044407 | 387044807 |
| 08 | 82.2 | 3.24 | 57.79 | 2.275 | 74.30 | 2.925 | 67.9 | 2.68 | 387044008 | 387044408 | 387044808 |
| 09 | 90.4 | 3.56 | 66.04 | 2.600 | 82.55 | 3.250 | 76.2 | 3.00 | 387044009 | 387044409 | 387044809 |
| 10 | 98.7 | 3.89 | 74.30 | 2.925 | 90.81 | 3.575 | 84.5 | 3.33 | 387044010 | 387044410 | 387044810 |
| 11 | 106.9 | 4.21 | 82.55 | 3.250 | 99.06 | 3.900 | 92.7 | 3.65 | 387044011 | 387044411 | 387044811 |
| 12 | 115.2 | 4.54 | 90.81 | 3.575 | 107.32 | 4.225 | 101.0 | 3.98 | 387044012 | 387044412 | 387044812 |



| | | | | | | | | |
|--|--|---|-------------|-----------------|--------------|--------------|--|--|
| SEE SHEET 1 EC NO: ETC2007-0160 DRW: CLYORK 2006/11/20 CHKD: JMACNEIL 2006/11/21 APPR: JMACNEIL 2006/11/22 | QUALITY SYMBOLS ▽=0 ▽=0 | GENERAL TOLERANCES (UNLESS SPECIFIED) | | DIMENSION STYLE | SCALE | DESIGN UNITS | THIRD ANGLE PROJECTION | |
| | | | | MM/IN | 2:1 | INCH | | |
| | | 4 PLACES | ± --- | ± --- | DRAWN BY | DATE | TITLE | |
| | | 3 PLACES | ± --- | ± .005 | C. YORK | 2006/11/08 | 8.26MM [.325] SR BTS, CS PC WITH MTG. | |
| | 2 PLACES | ± 0.13 | ± .01 | CHECKED BY | DATE | | | |
| | 1 PLACE | ± 0.3 | ± --- | J. MACNEIL | 2006/11/08 | | | |
| | ANGULAR ± 2 ° | | APPROVED BY | DATE | | | | |
| | DRAFT WHERE APPLICABLE MUST REMAIN WITHIN DIMENSIONS | | J. MACNEIL | 2006/11/08 | | | | |
| | SIZE | SEE CHART | | MATERIAL NO. | DOCUMENT NO. | SHEET NO. | | |
| | B | THIS DRAWING CONTAINS INFORMATION THAT IS PROPRIETARY TO MOLEX INCORPORATED AND SHOULD NOT BE USED WITHOUT WRITTEN PERMISSION | | | | 2 OF 2 | | |

9 8 7 6 5 4 3 2 1