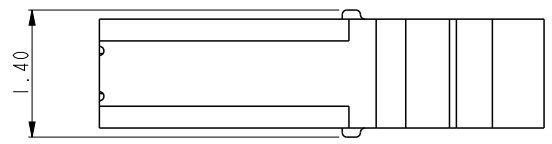
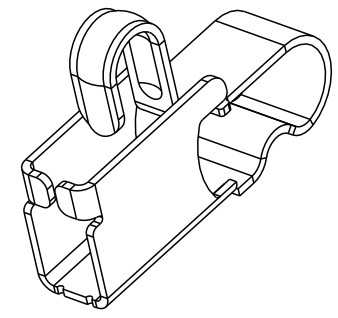
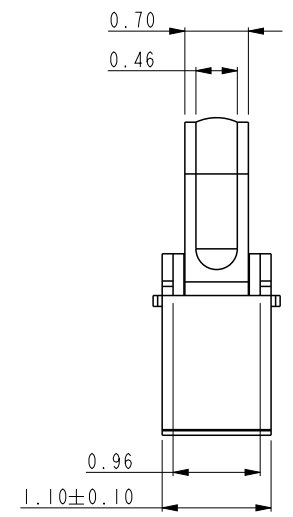
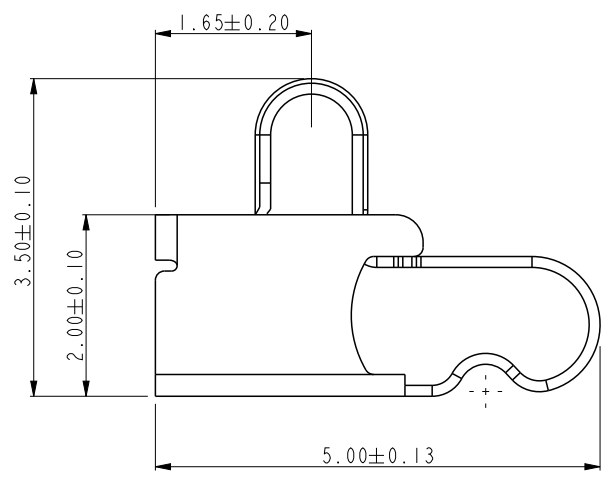


| | |
|-----|-------------------------------------------------------|
| | PRODUCT NO. |
| FCI | 10104321-001RLF 10104321-003RLF 10104321-009RLF |



NOTES:
 1. MATERIAL: BERYLLIUM COPPER ALLOY.
 2. CONTACT PLATING:
 CONTACT AREA: PLATING 1um Au OVER 1.0/3.0um Ni UNDERPLATE.
 or PLATING 0.05 to 0.15um Au OVER 1.0/3.0um Ni UNDERPLATE.
 or PLATING 1um GXT OVER 1.0/3.0um Ni UNDERPLATE.
 (1um GXT is 0.025-0.125um Au over 0.875um PdNi)
 SOLDER AREA : PLATING 0.05 TO 0.15um Au OVER 1.0/3.0um Ni UNDERPLATE.
 3. PACKAGING: TAPE & REEL
 4. PART NUMBER DESCRIPTION:
 10104321-0 0 X X X
 X : LF: LEAD FREE
 X : R : TAPE AND REEL
 CONTACT PLATING:
 1 : 1um Au over Ni
 3 : 0.05 to 0.15um Au over Ni
 9 : 1um GXT over Ni

| rev | ecn no | dr | date |
|-----|-----------------|------|------------|
| A | DG09-0331 | NZ | 2009-11-10 |
| B | DG11-0048 | SM | 2011-02-22 |
| C | ELX-DG-011086-1 | ANDY | 2012-03-27 |

| | | | | | | | | | | |
|---------------------------------------|------------|-------------|----------------|------------|------------------|------------------------|------------------------|--------------|----------|--------|
| spec ref | * | dr | Louis Ng | 2009/10/06 | projection | mm | size | A4 | scale | 12.000 |
| tolerance std | ASME Y14.5 | eng | Andy Lu | 2012/03/27 | | | ecn no ELX-DG-011086-1 | | | |
| TOLERANCES UNLESS OTHERWISE SPECIFIED | | chr | Young Ou | 2012/03/28 | | | rel level Released | | | |
| surface | linear | appr | Pei-Ming Zheng | 2012/03/28 | product family - | | dwg no | | 10104321 | rev |
| | 0.X | | | | | | | | | C |
| | 0.XX | | | | | | | | | |
| | 0.XXX | | | | | | | | | |
| ASME Y14.5 | angular | | | | | | | | | |
| | 0° | | | | | | | | | |
| | | www.fci.com | | cat. no. | 10104321 | Product - Customer Drw | | sheet 1 of 1 | | |

ProE File - REV C - 2009-06-09



Copyright FCI.