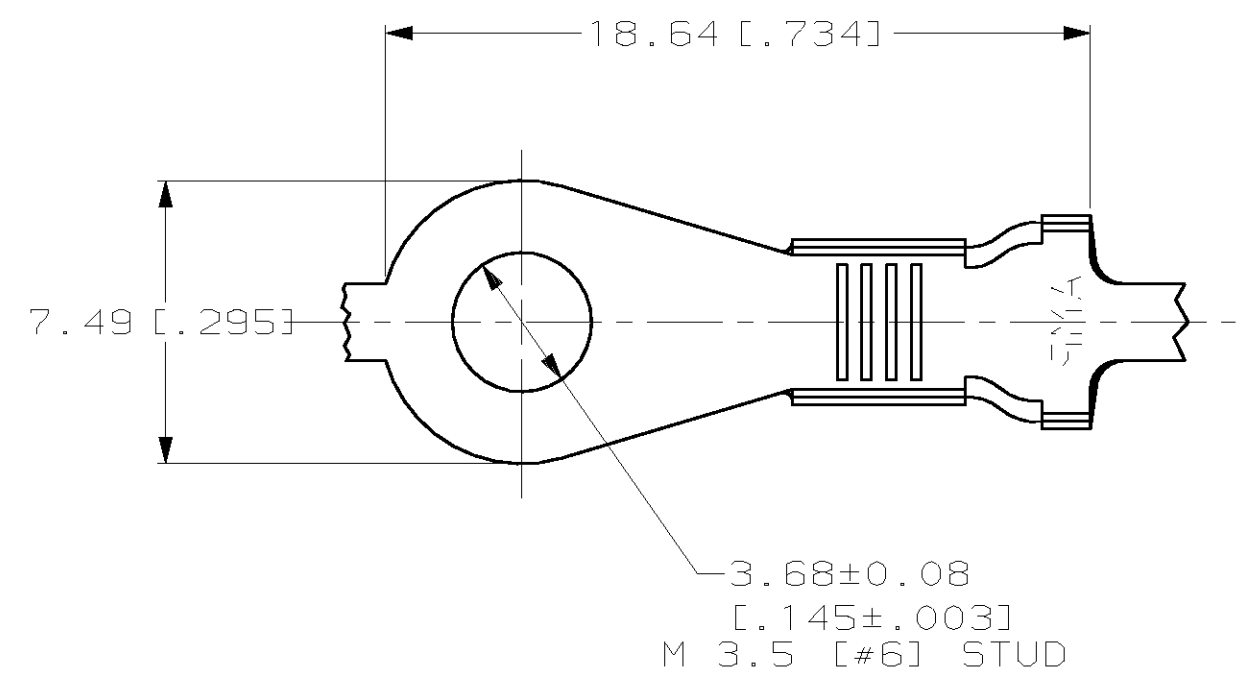
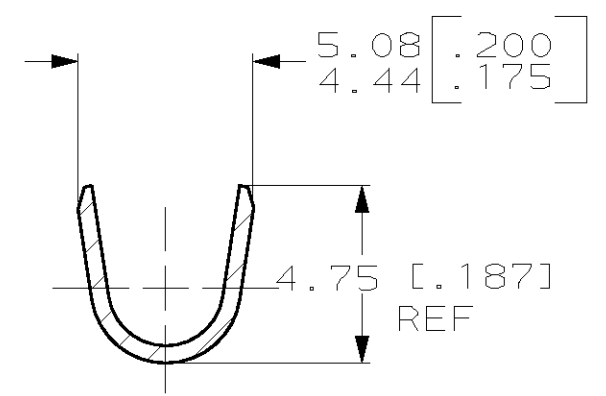
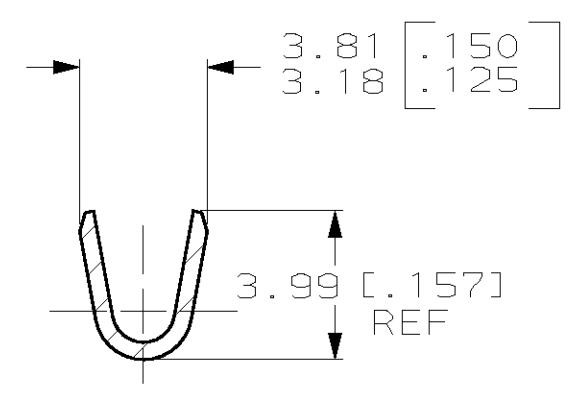
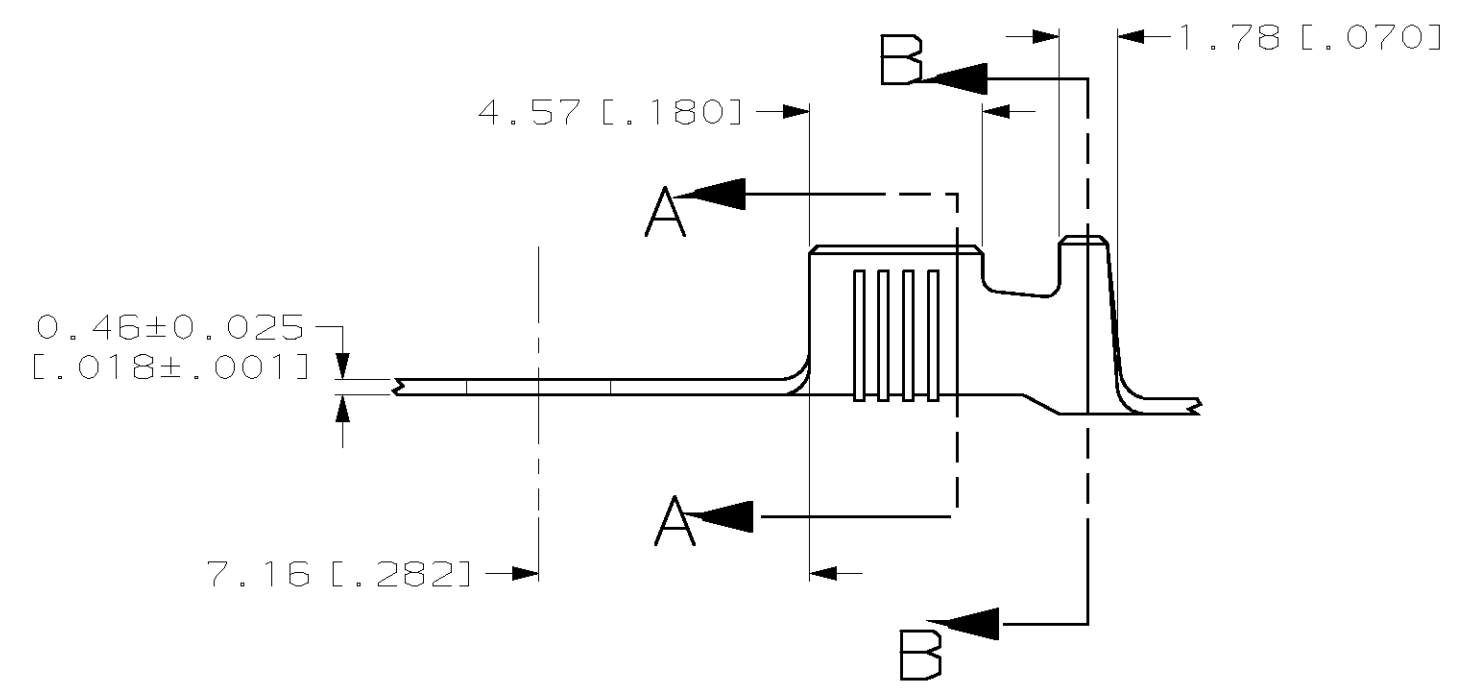


THIS DRAWING IS UNPUBLISHED. RELEASED FOR PUBLICATION ,19 .
 © COPYRIGHT 19 BY AMP INCORPORATED. ALL RIGHTS RESERVED.

LOC	DIST	REVISIONS				
P	LTR	DESCRIPTION	DATE	DWN	APVD	
AF	50	H	REDRAWN PER 0G1A-0144-99	29JUN99	JR DD	



- 1 CONTINUOUS STRIP ON REELS.
- 2 WIRE SIZE IS [#18-#14] AWG
- 3 INSULATION RANGE IS 2.54-3.56 [.100-.140] DIA.
- 4 REELING WITH BBL5 UP.



SECTION A-A

SECTION B-B

TIN	60770-2
-	60770-1
FINISH	PART NO.

THIS DRAWING IS A CONTROLLED DOCUMENT.		DWN	JR RUTH	29JUN99	AMP Incorporated Harrisburg, PA 17105-3608				
DIMENSIONS: MM [INCHES]		CHK	MS FEHER	29JUN99					
		APVD	D DECKER	29JUN99					
TOLERANCES UNLESS OTHERWISE SPECIFIED:		PRODUCT SPEC		NAME					
0 PLC ±- 1 PLC ±- 2 PLC ±0.38 [.015] 3 PLC ±- 4 PLC ±- ANGLES ±-		APPLICATION SPEC		SIZE	A300779	C- 60770	RESTRICTED TO		
MATERIAL 081 BRASS		FINISH SEE TABLE		CAGE CODE				SCALE	SHEET
CUSTOMER DRAWING					WEIGHT	-	5:1	1	H