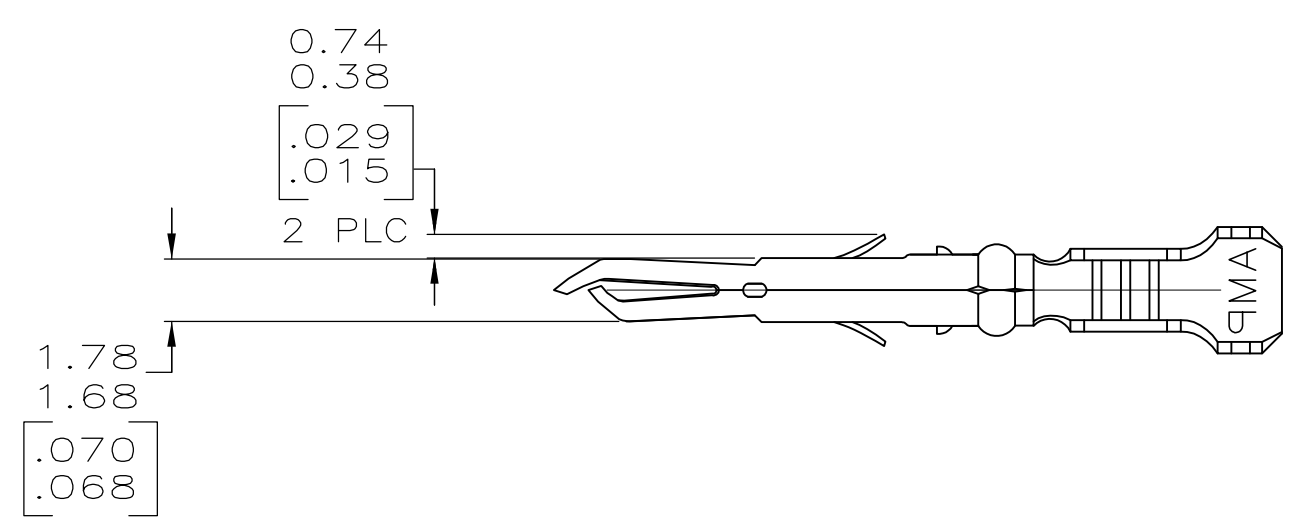
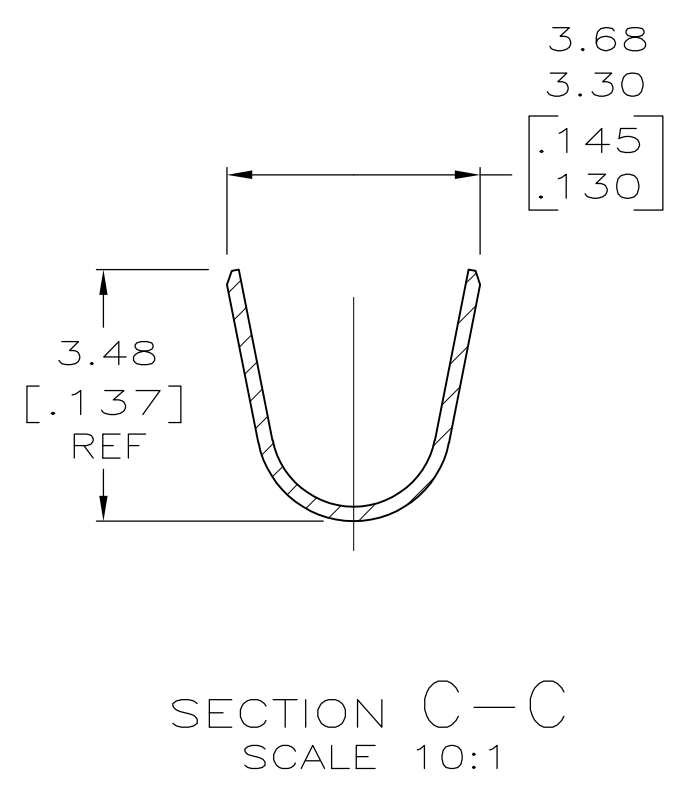
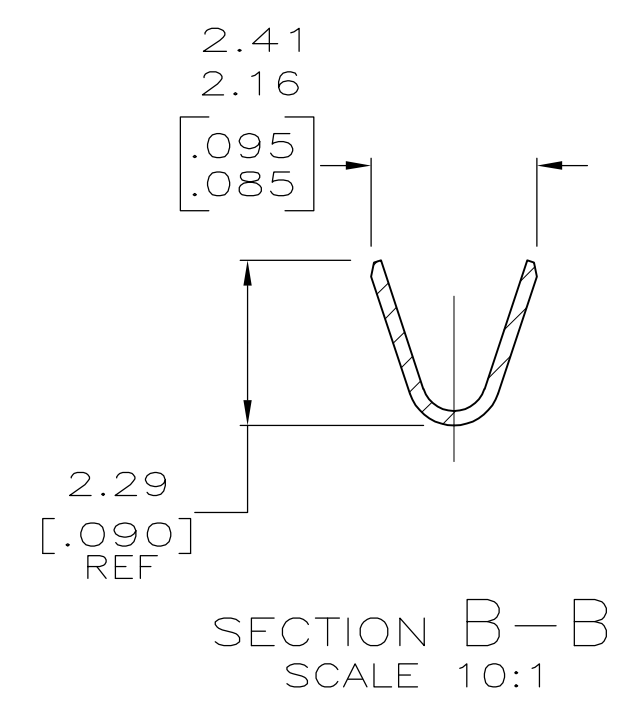
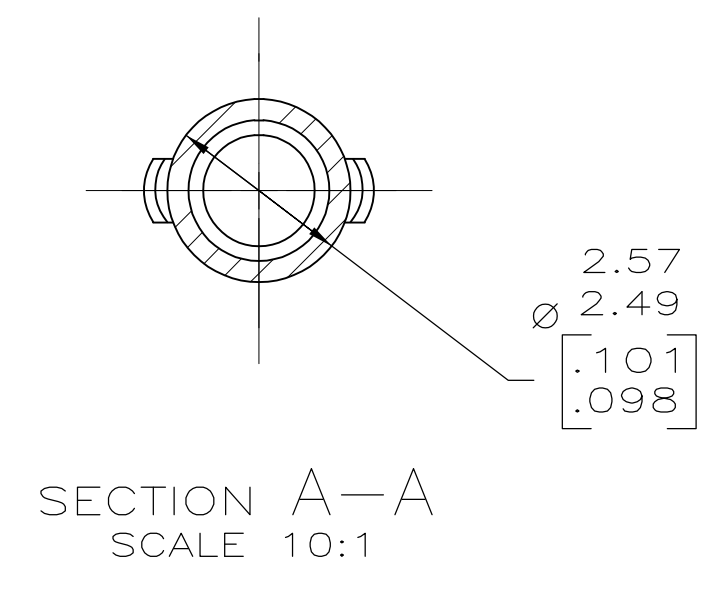
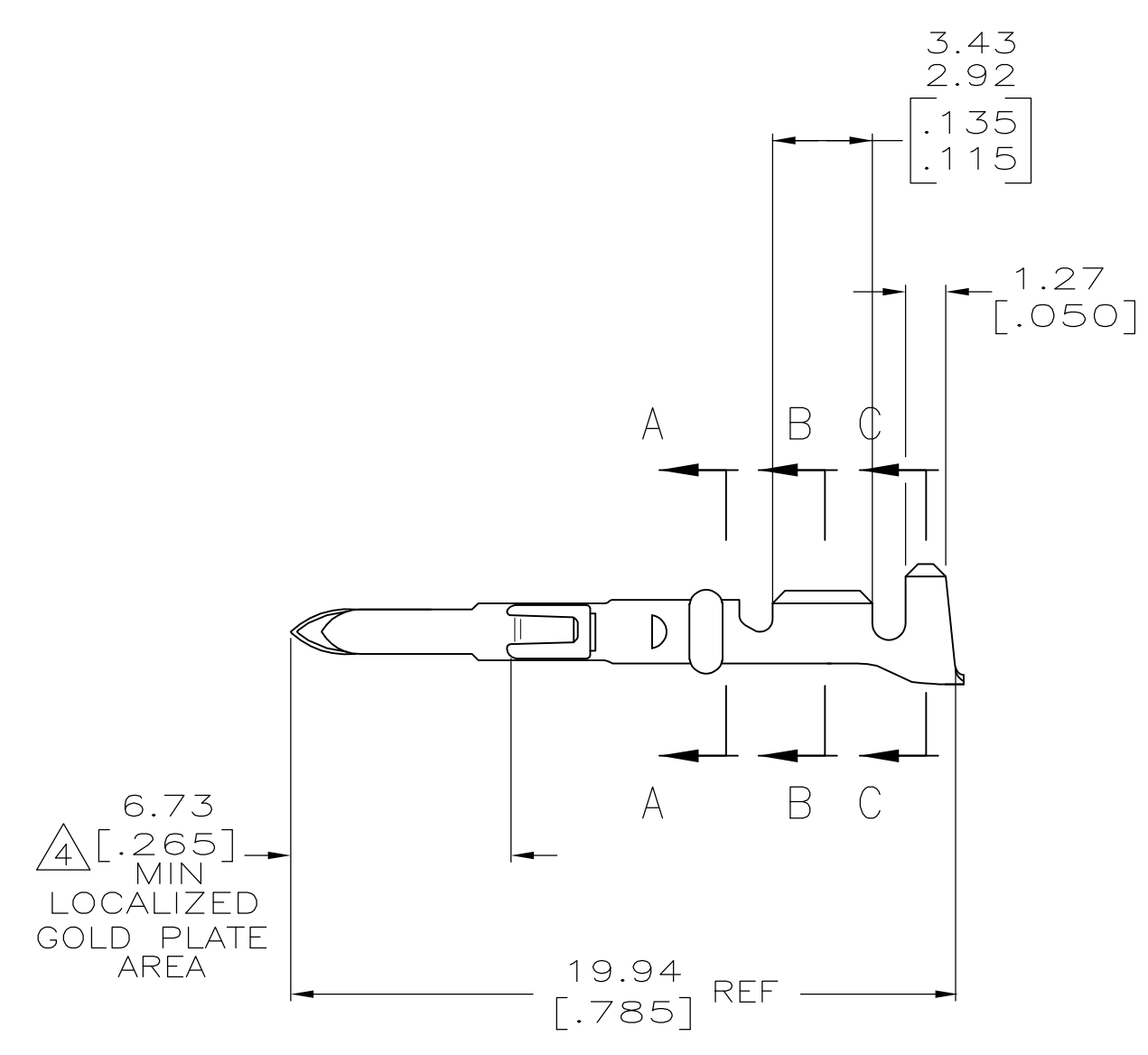
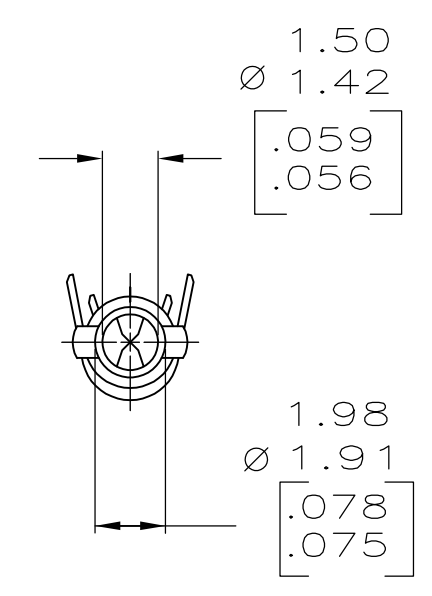


LOC	DIST	REVISIONS					
CM	52	P	LTR	DESCRIPTION	DATE	DWN	APVD
		C1		REVISED PER ECO-11-004820	11MAR11	RK	HMR



- 1 WIRE RANGE: 0.12-0.9mm<sup>2</sup> (26-18 AWG).
- 2 INSULATION RANGE: 1.27-2.92 [.050-.115] MAX. DIA.
- 3 DIMENSIONS IN BRACKETS ARE IN INCHES.
- 4 TIP PLATE WITH 0.00076-0.00091 [.000030-.000036] MIN GOLD IN THE LOCALIZED GOLD PLATE AREA OVER 0.00127 [.000050] MIN NICKEL UNDERPLATE.



4 GOLD PLATE	0.20 [.008] PHOS BRZ	640545-2
PRE-TIN	0.20 [.008] PHOS BRZ	640545-1
FINISH	MATERIAL	PART NO

THIS DRAWING IS A CONTROLLED DOCUMENT.		DWN	K. SALMON	3-21-95
DIMENSIONS: mm [INCHES]		CHK	R. SWING	3-21-95
TOLERANCES UNLESS OTHERWISE SPECIFIED:		APVD	W. LONG	3-21-95
0 PLC	± -	NAME		
2 PLC	± -	PIN, LOOSE PIECE, MR		
3 PLC	± -	PRODUCT SPEC		
4 PLC	± 0.13 [.005]	APPLICATION SPEC		
ANGLES	± -	SIZE		
MATERIAL	SEE TABLE	FINISH	SEE TABLE	WEIGHT
CUSTOMER DRAWING		SCALE	5:1	SHEET 1 OF 1
REV C1		DRAWING NO. A1 00779 C=640545		

METRIC