


| | | | |
|------|------|-------------|----------|
| SIGN | DATE | DESCRIPTION | APPROVER |
| | | | |

THIS IS CAD DRAWING, DO NOT REVISE MANUALLY!!!

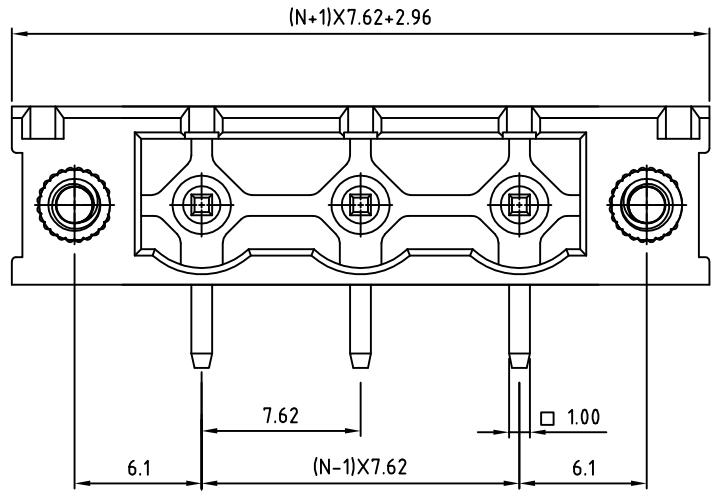
Material

- Terminal body
- (contact pin): Brass(CuZn) Tin plated
- With flange nut: Brass M2.5
- Insulator (housing): Thermoplastic (UL94V-0)

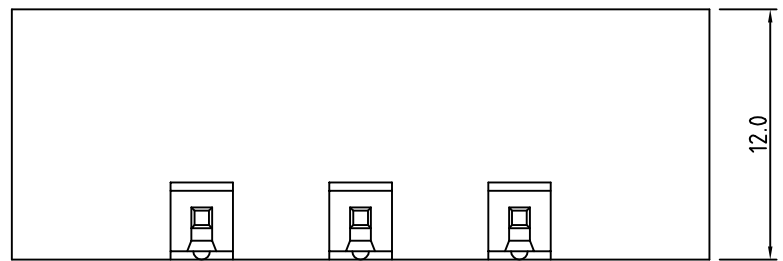
Electrical cULus

- Voltage rating: 300VAC
- Current rating: 20A
- Withstanding Voltage: 1.6KV
- Operating temperature: -30°C to +105°C
- Soldering temperature: 250°C±10°C/5 Sec
- Safety Approval: 

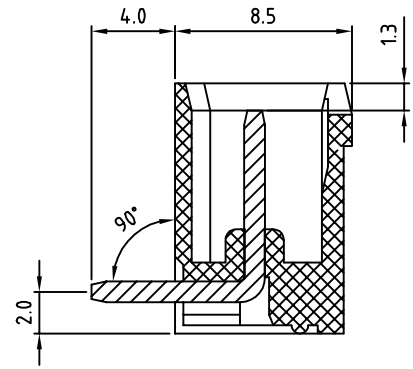
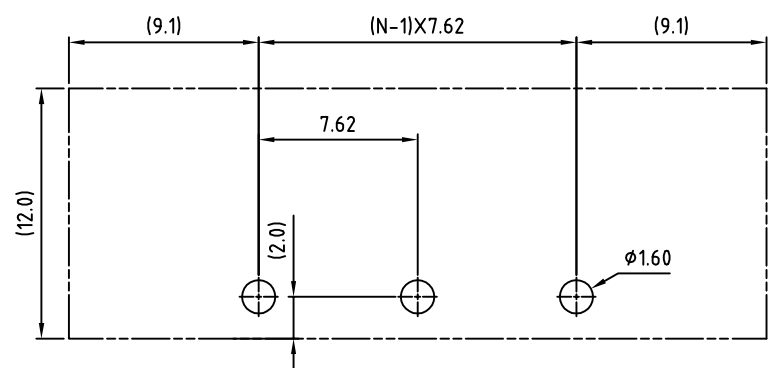
RoHS Compliant



N=Number of contacts



P.C.B LAYOUT



PART NUMBER:

OSTOQXX0551

No. of Poles
02: 2 Poles
:
16: 16 Poles

COLOR
0: Black
5: Green (Standard)
6: Blue
8: Grey



| | | | | | |
|-----------------------|----------------------|--|----------------------|--------------|---|
| TITLE | | OSTOQ 7.62mm series with flange right-angle 2p-16p | | | |
| PART NO. | OSTOQXX0551 | DWG NO. | OSTOQXX0551.DWG | | |
| APPROVED | CHECKED | DESIGNED | DRAWN | CUST NO. | Tolerance |
| Shi Jun 2006.10.31 | Marvin 2006.10.31 | Marvin 2006.10.31 | Marvin 2006.10.31 | | X. ±0.50 X.X ±0.30 X.XX ±0.10 X° ±1° |
| | | | | UNIT: mm | |
| | | | | SCALE: NONE | |
| | | | | REV.: D | |
| | | | | SHEET: 01/01 | |

THESE DRAWINGS AND SPECIFICATIONS ARE THE PROPERTY OF ON-SHORE TECHNOLOGY, INC. AND SHALL NOT BE REPRODUCED, COPIED OR USED IN ANY MANNER WITHOUT THE PRIOR WRITTEN CONSENT OF ON-SHORE TECHNOLOGY, INC.