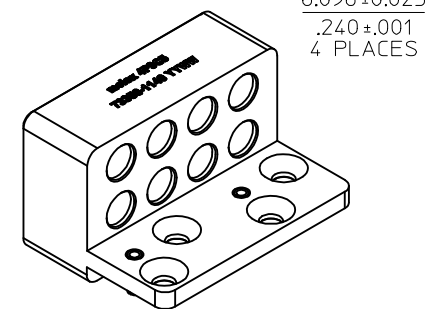
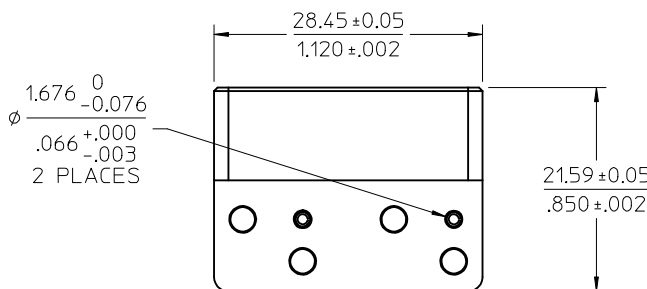
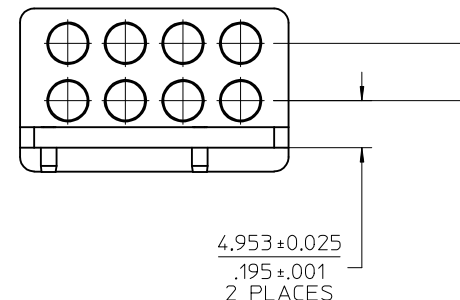
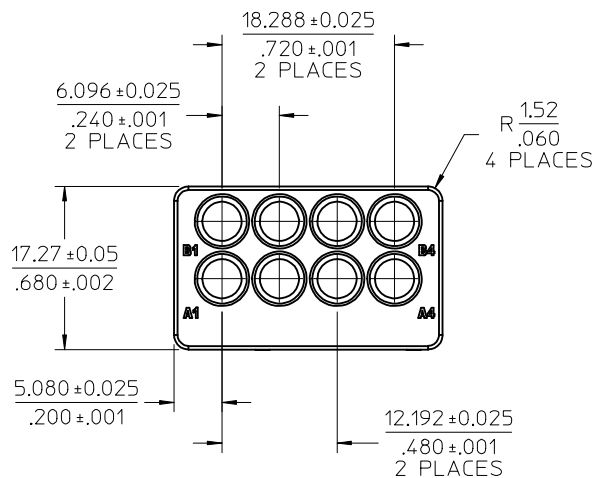
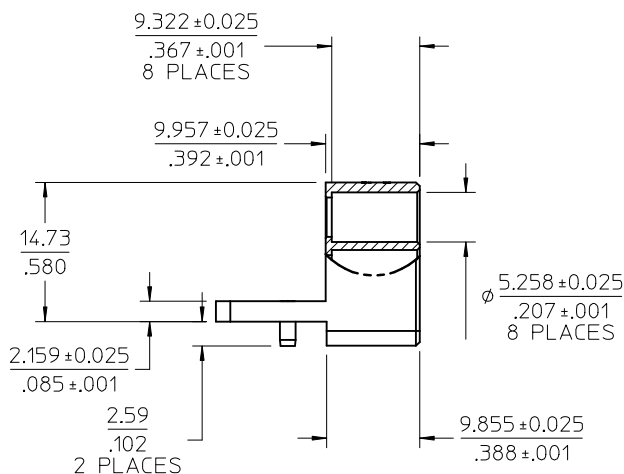
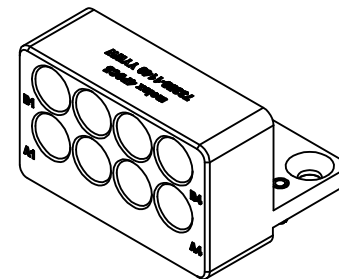
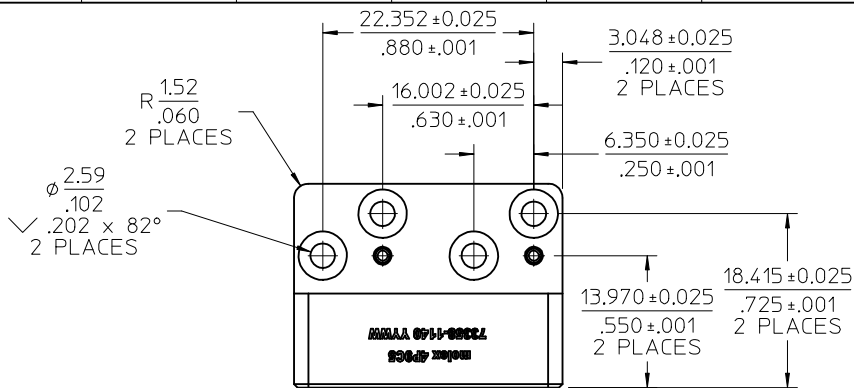


MATERIALS AND FINISHES

HOUSING: STAINLESS STEEL
PASSIVATED

ALIGNMENT PINS: STAINLESS STEEL
PASSIVATED



PART # 73358-1140

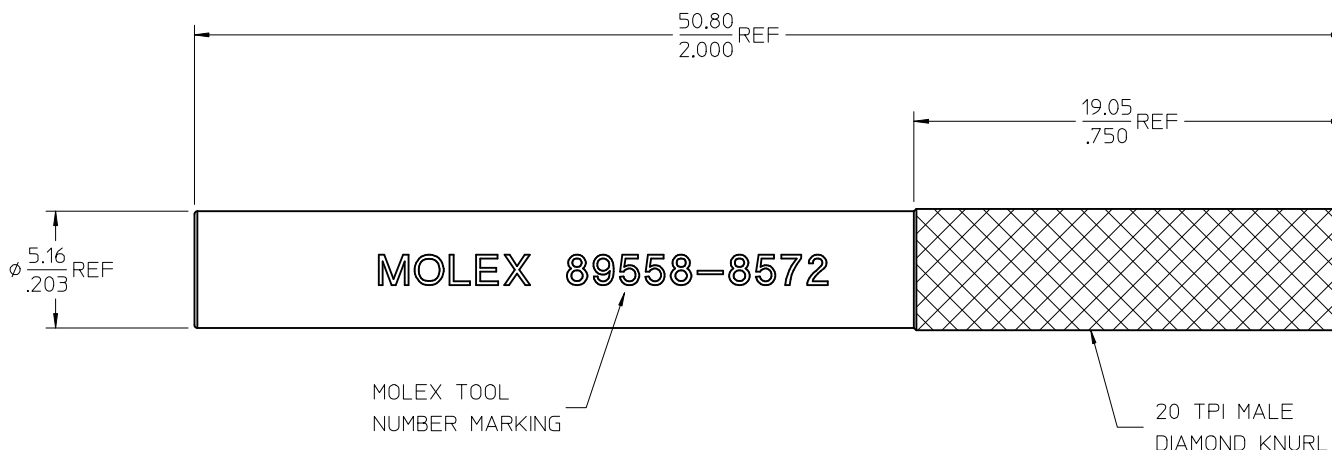
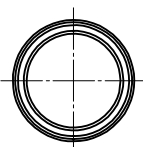
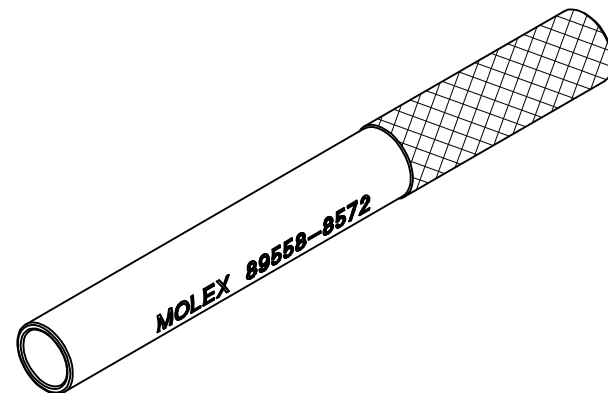
SEE PS-89675-470 FOR PCB LAYOUT & PLACEMENT

ANSI/VITA 67.2	NATIONAL STANDARD
PS-89675-470	PRODUCT SPECIFICATION
SPECIFICATION	DESCRIPTION

CHG: UPDATED VIEWS TO SHOW CHANGES TO BLOCK. EC NO: URF2016-0744 DRAWN: DRWINBSHAH 2016/05/02 CHKD: SSS 2016/05/02 APPR: AROBERTSON 2016/05/04	DESCRIPTION	QUALITY SYMBOLS	GENERAL TOLERANCES (UNLESS SPECIFIED)		DIMENSION STYLE	SCALE	DESIGN UNITS	THIRD ANGLE PROJECTION
			mm	INCH	MM/IN	INCH		
REV B1	DRAWN BY: AROBERTSON	DATE: 2013/10/03	4 PLACES	± ---	± ---	TITLE: VITA 67.2 8 PORT MODULE FOR DAUGHTER CARD SMPM-VITA, EWR-5185	DOCUMENT NO. SD-73358-114	SHEET NO. 1 OF 1
			3 PLACES	± ---	± 0.005			
	APPROVED BY: JW IENER	DATE: 2013/10/09	2 PLACES	± 0.13	± 0.010	THIS DRAWING CONTAINS INFORMATION THAT IS PROPRIETARY TO MOLEX INCORPORATED AND SHOULD NOT BE USED WITHOUT WRITTEN PERMISSION		
	1 PLACE	± 0.25	± ---	± ---				
	0 PLACE	± ---	± ---	± ---	ANGULAR ± 2°			

MATERIAL AND FINISHES

REMOVAL TOOL: STAINLESS STEEL,
PASSIVATED



EXTRACTION TOOL FOR
REMOVING SMPM JACKS
FROM VITA 67 BLOCKS

PART # 89558-8572

CHG: UPDATED DRAWING EC NO: URF2017-0318 DRAWN: LMEIER 2017/03/06 CHKD: SSS 2017/03/06 APPR: AROBERTSON 2017/03/07 REV: A1	QUALITY SYMBOLS	GENERAL TOLERANCES (UNLESS SPECIFIED)	DIMENSION STYLE	SCALE	DESIGN UNITS	THIRD ANGLE PROJECTION
	▽=0	mm INCH	MM/IN	INCH	INCH	
	▽=0	4 PLACES ± --- ± ---	DRAWN BY DATE	TITLE		
	▽=0	3 PLACES ± --- ± ---	LMEIER 2017/02/24	SMPM JACK VITA EXTRACTION TOOL		
		2 PLACES ± --- ± ---	CHECKED BY DATE			
		1 PLACE ± --- ± ---	SSS 2017/02/27			
		0 PLACE ± --- ± ---	APPROVED BY DATE			
		ANGULAR ± 2 °	AROBERTSON 2017/02/28			
		DRAFT WHERE APPLICABLE MUST REMAIN WITHIN DIMENSIONS	MATERIAL NO.	DOCUMENT NO.		SHEET NO.
			895588572	SD-89558-857		1 OF 1
			THIS DRAWING CONTAINS INFORMATION THAT IS PROPRIETARY TO MOLEX INCORPORATED AND SHOULD NOT BE USED WITHOUT WRITTEN PERMISSION			