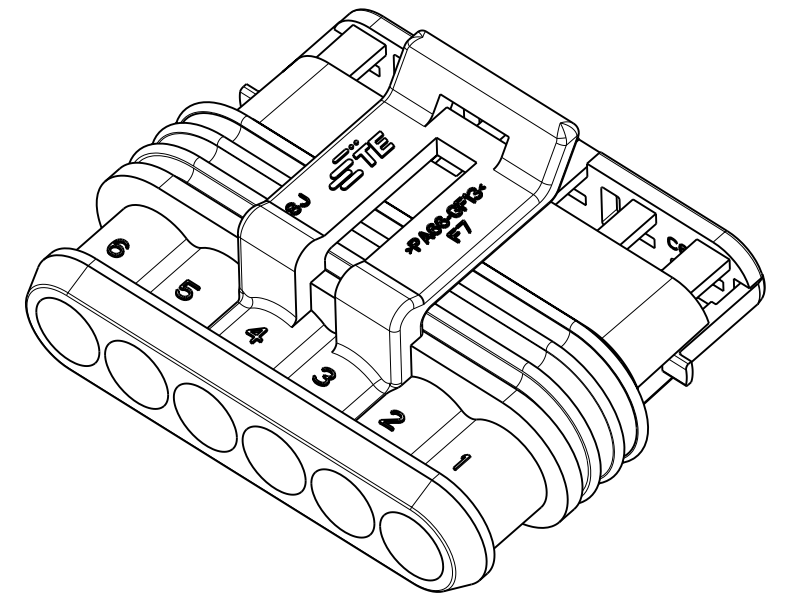
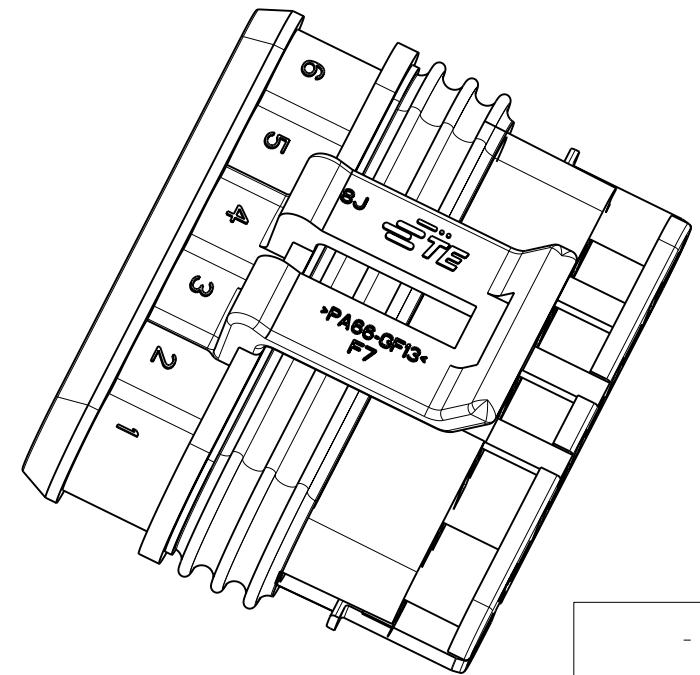
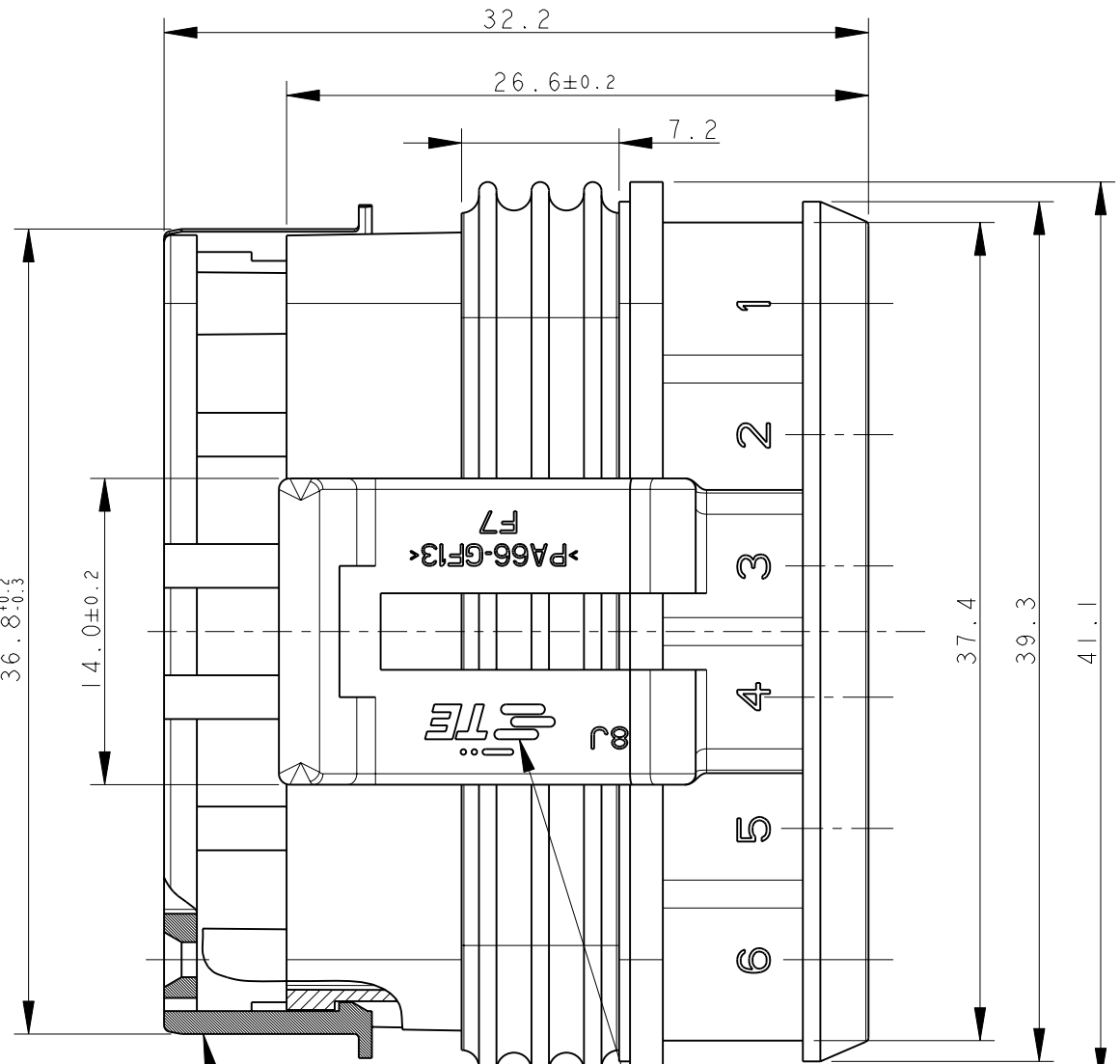
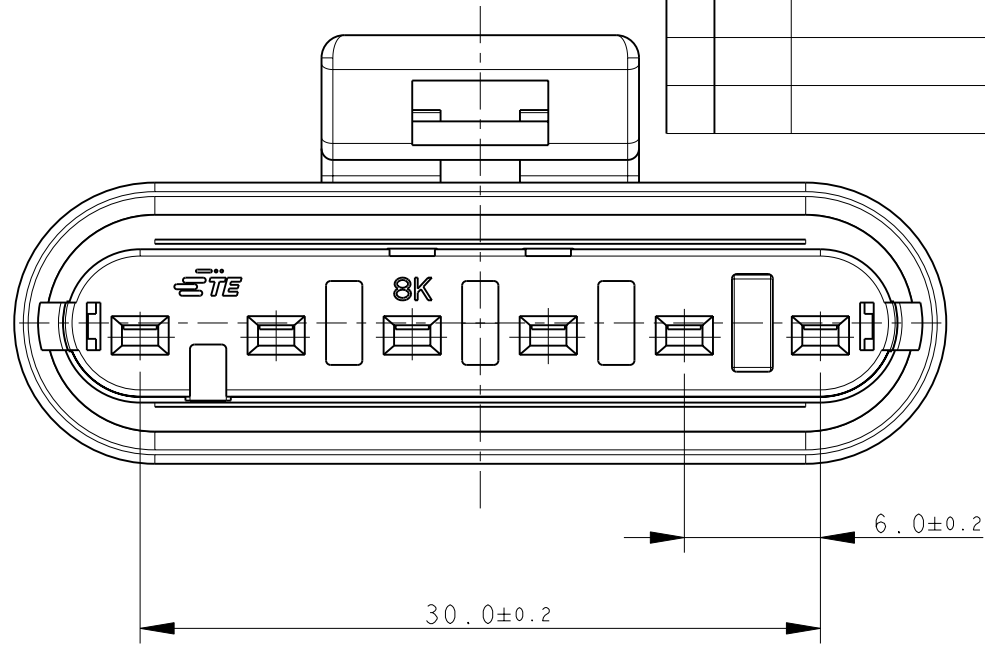
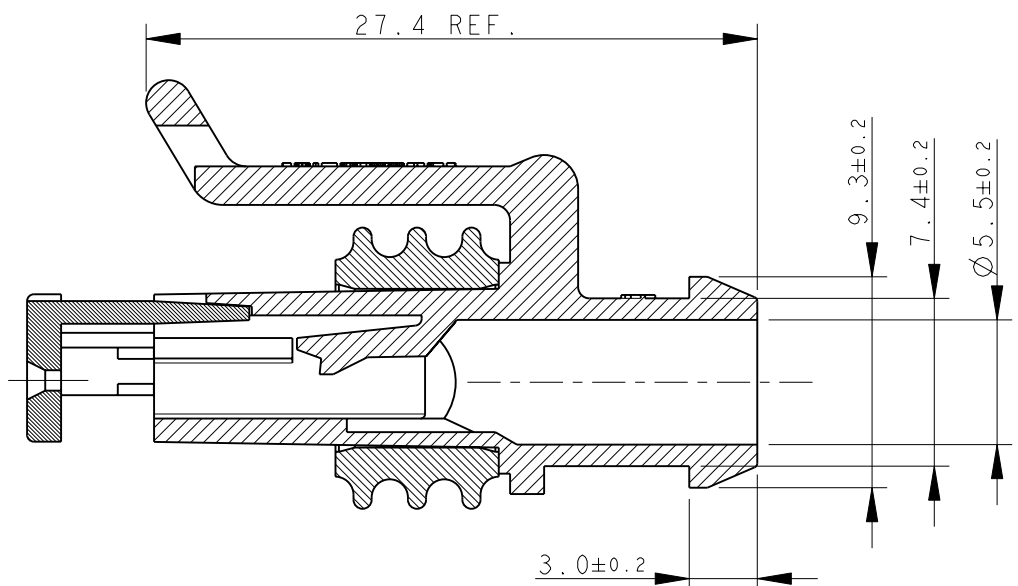


THIS DRAWING IS UNPUBLISHED. RELEASED FOR PUBLICATION 2011
 © COPYRIGHT 2011 ALL RIGHTS RESERVED.

LOC	DIST	REVISIONS			
P	LTR	DESCRIPTION	DATE	DWN	APVD
1	-	D2	REVISED BY ECR-11-024280	13DEC2011	M.F. M.G.




1) FOR COUNTERPART DETAILS, SEE SHEET 2 OF 2

-	BLACK	PA66-GF	282090-1
NOTE	FINISH/COLOR	MATERIAL	PART NUMBER

TE CONNECTIVITY TRADE MARK,
 (IN ALTERNATIVE: "AMP" LOGO,
 OR "Tyco Electronics" LOGO)

SEALING
 (SILICONE RUBBER)

PRE-ASSEMBLED SECONDARY LOCK
 (RED COLOR)

THIS DRAWING IS A CONTROLLED DOCUMENT.		DWN C. BERTINI 05-1992	 TE Connectivity	
DIMENSIONS: mm		CHK A. BRUNI 05-1992		
TOLERANCES UNLESS OTHERWISE SPECIFIED:		APVD -	NAME -	
0 PLC ±-		PRODUCT SPEC 108-20090	AMP SUPERSEAL 1.5 SRS. 6 POSITIONS PLUG ASS'Y	
1 PLC ±0.3		APPLICATION SPEC 412-20000	SIZE A3	CAGE CODE 00779
2 PLC ±-		WEIGHT 6.55gr	DRAWING NO C-282090	RESTRICTED TO -
3 PLC ±-		CUSTOMER DRAWING		
4 PLC ±-		SCALE 1:1		
4 PLC ANGLES ±2°		SHEET 1 OF 2		
FINISH -		REV D2		

