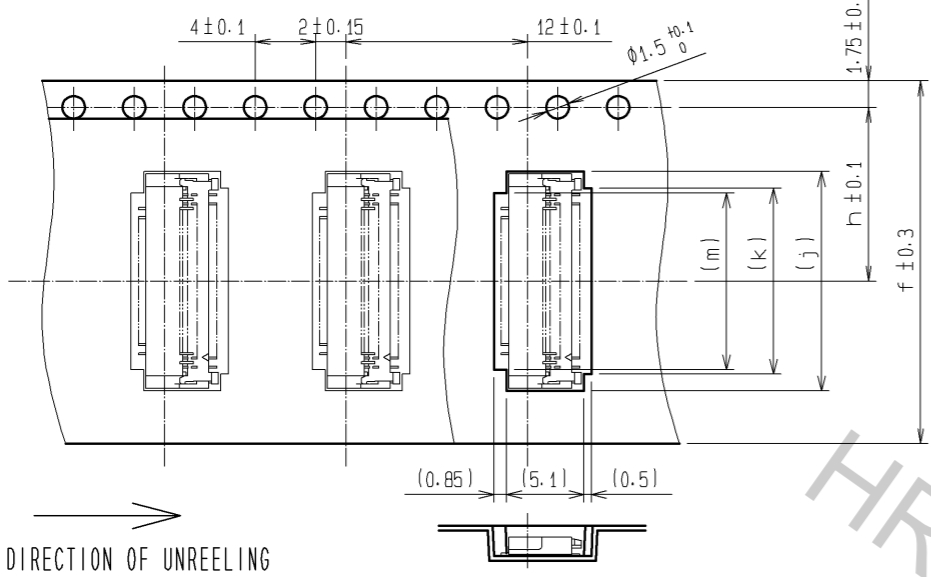
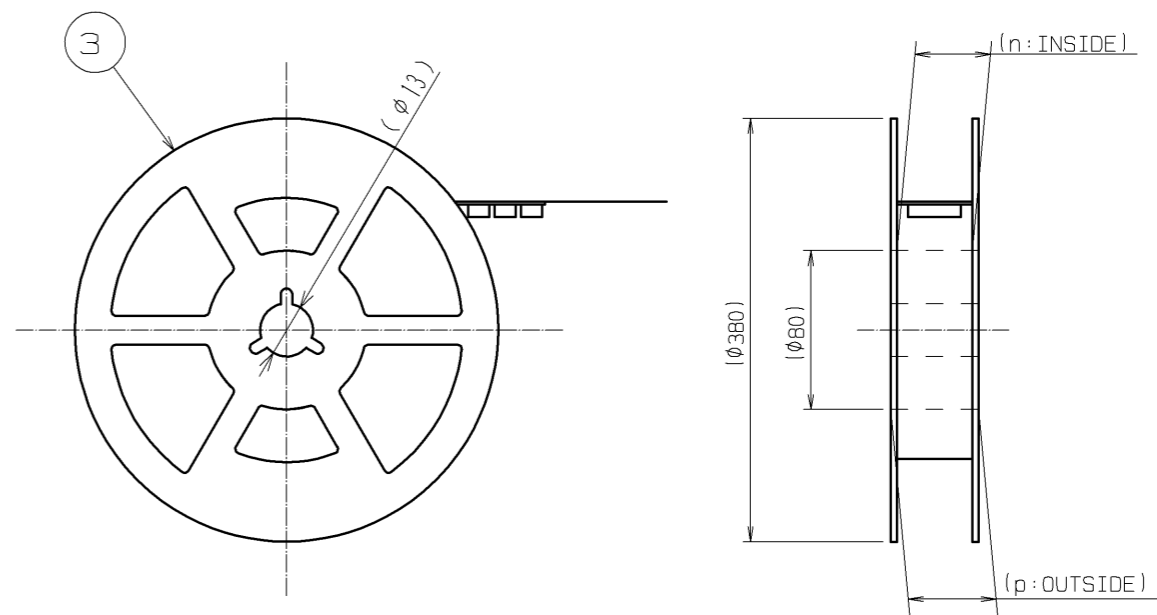


<TAPE WIDTH:24mm MAX.>

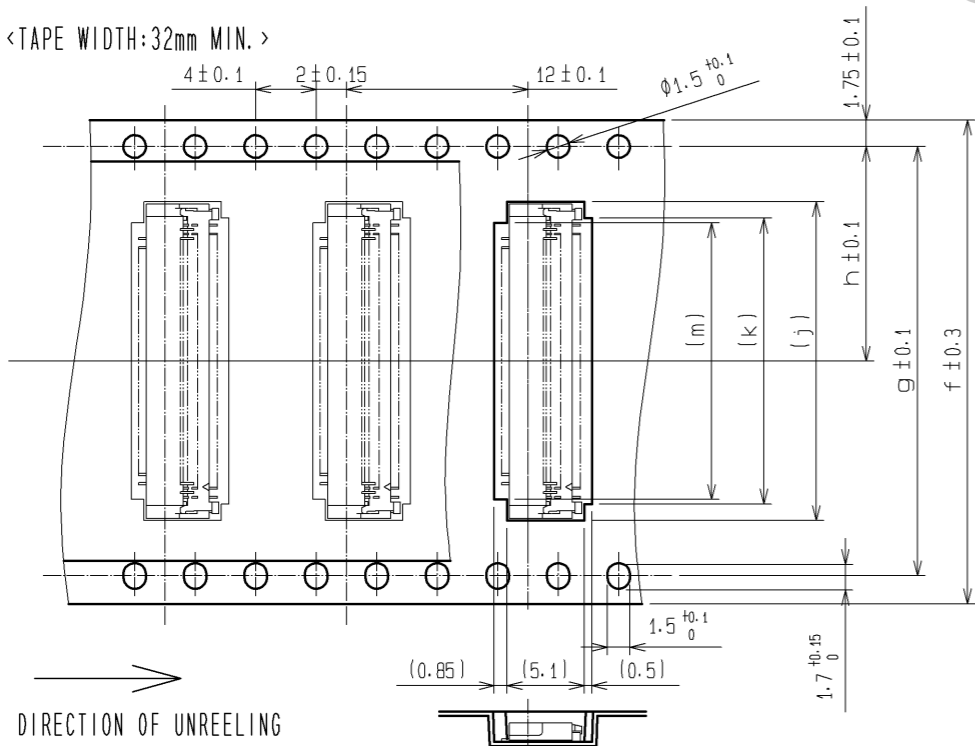


DIRECTION OF UNREELING

REEL DIMENSION(FREE)



<TAPE WIDTH:32mm MIN.>



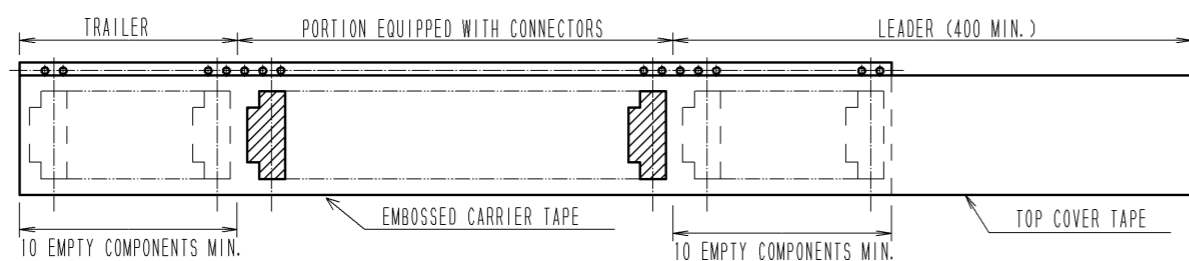
DIRECTION OF UNREELING

- NOTE 1 THE DIMENSIONS IN PARENTHESES ARE FOR REFERENCE.
 2 PER REEL : 2500 CONNECTORS.
 3 COMPLIANT TO JIS C 0806 (PACKAGING OF COMPONENTS FOR AUTOMATIC HANDLING.)

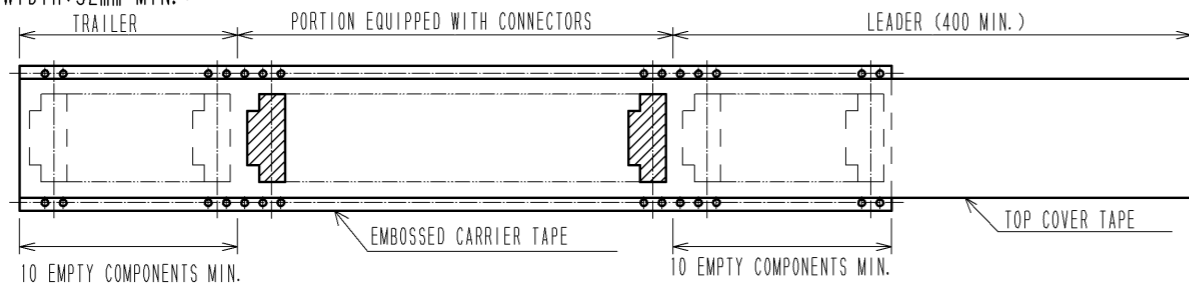
DIMENSION MATRIX

| PRT NO. | CODE NO. | NO. OF CONTACT | f | g | h | j | k | m | n | p |
|---------------------|-----------------|----------------|----|------|------|------|------|------|------|------|
| FH23-15S-0.3SHW(05) | CL586-1317-0-05 | 15 | 16 | | 7.5 | 7.3 | 5.1 | 4.5 | 17.4 | 21.4 |
| FH23-17S-0.3SHW(05) | CL586-1300-7-05 | 17 | 16 | | 7.5 | 7.9 | 5.7 | 5.1 | 17.4 | 21.4 |
| FH23-21S-0.3SHW(05) | CL586-1314-1-05 | 21 | 16 | | 7.5 | 9.1 | 6.9 | 6.3 | 17.4 | 21.4 |
| FH23-23S-0.3SHW(05) | CL586-1324-5-05 | 23 | 24 | | 11.5 | 9.7 | 7.5 | 6.9 | 25.4 | 29.4 |
| FH23-25S-0.3SHW(05) | CL586-1322-0-05 | 25 | 24 | | 11.5 | 10.3 | 8.1 | 7.5 | 25.4 | 29.4 |
| FH23-27S-0.3SHW(05) | CL586-1308-9-05 | 27 | 24 | | 11.5 | 10.9 | 8.7 | 8.1 | 25.4 | 29.4 |
| FH23-31S-0.3SHW(05) | CL586-1302-2-05 | 31 | 24 | | 11.5 | 12.1 | 9.9 | 9.3 | 25.4 | 29.4 |
| FH23-33S-0.3SHW(05) | CL586-1304-8-05 | 33 | 24 | | 11.5 | 12.7 | 10.5 | 9.9 | 25.4 | 29.4 |
| FH23-37S-0.3SHW(05) | CL586-1335-1-05 | 37 | 24 | | 11.5 | 13.9 | 11.7 | 11.1 | 25.4 | 29.4 |
| FH23-39S-0.3SHW(05) | CL586-1306-3-05 | 39 | 24 | | 11.5 | 14.5 | 12.3 | 11.7 | 25.4 | 29.4 |
| FH23-45S-0.3SHW(05) | CL586-1318-2-05 | 45 | 24 | | 11.5 | 16.3 | 14.1 | 13.5 | 25.4 | 29.4 |
| FH23-51S-0.3SHW(06) | CL586-1312-6-06 | 51 | 32 | 28.4 | 14.2 | 18.1 | 15.9 | 15.3 | 33.4 | 37.4 |
| FH23-61S-0.3SHW(05) | CL586-1310-0-05 | 61 | 32 | 28.4 | 14.2 | 21.1 | 18.9 | 18.3 | 33.4 | 37.4 |
| FH23-71S-0.3SHW(05) | CL586-1320-4-05 | 71 | 44 | 40.4 | 20.2 | 24.1 | 21.9 | 21.3 | 45.4 | 49.4 |

<TAPE WIDTH:24mm MAX.>



<TAPE WIDTH:32mm MIN.>



| | | | | | |
|------------------------|-------------|------------------|-------------|--|----------------------|
| 2 | POLYESTER | | 4 | (CONNECTOR) | |
| 1 | POLYSTYRENE | | 3 | POLYSTYRENE | |
| NO. | MATERIAL | FINISH . REMARKS | NO. | MATERIAL | FINISH . REMARKS |
| UNITS mm | | SCALE 2 : 1 | COUNT 11 | DESCRIPTION OF REVISIONS DIS-F-002175 | |
| APPROVED : MO. ISHIDA | | | 05.01.05 | DESIGNED WR. YAMADA | CHECKED TH. MURAI |
| CHECED : SS. WATANABE | | | 05.01.05 | DRAWING NO. EDC3-153547-03 | |
| DESIGNED : TO. SHIBUYA | | | 05.01.05 | PART NO. FH23-*S-0.3SHW(05) | |
| DRAWN : TO. SHIBUYA | | | 05.01.05 | CODE NO. CL586 | |