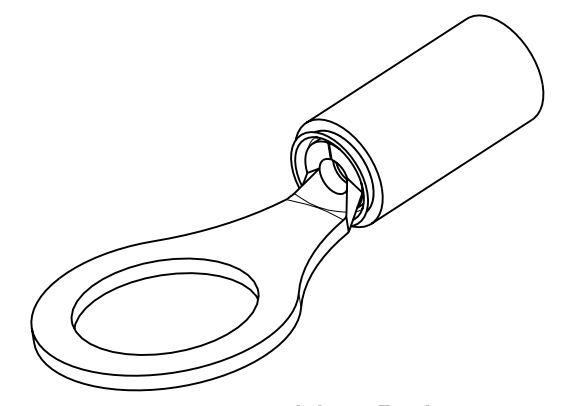
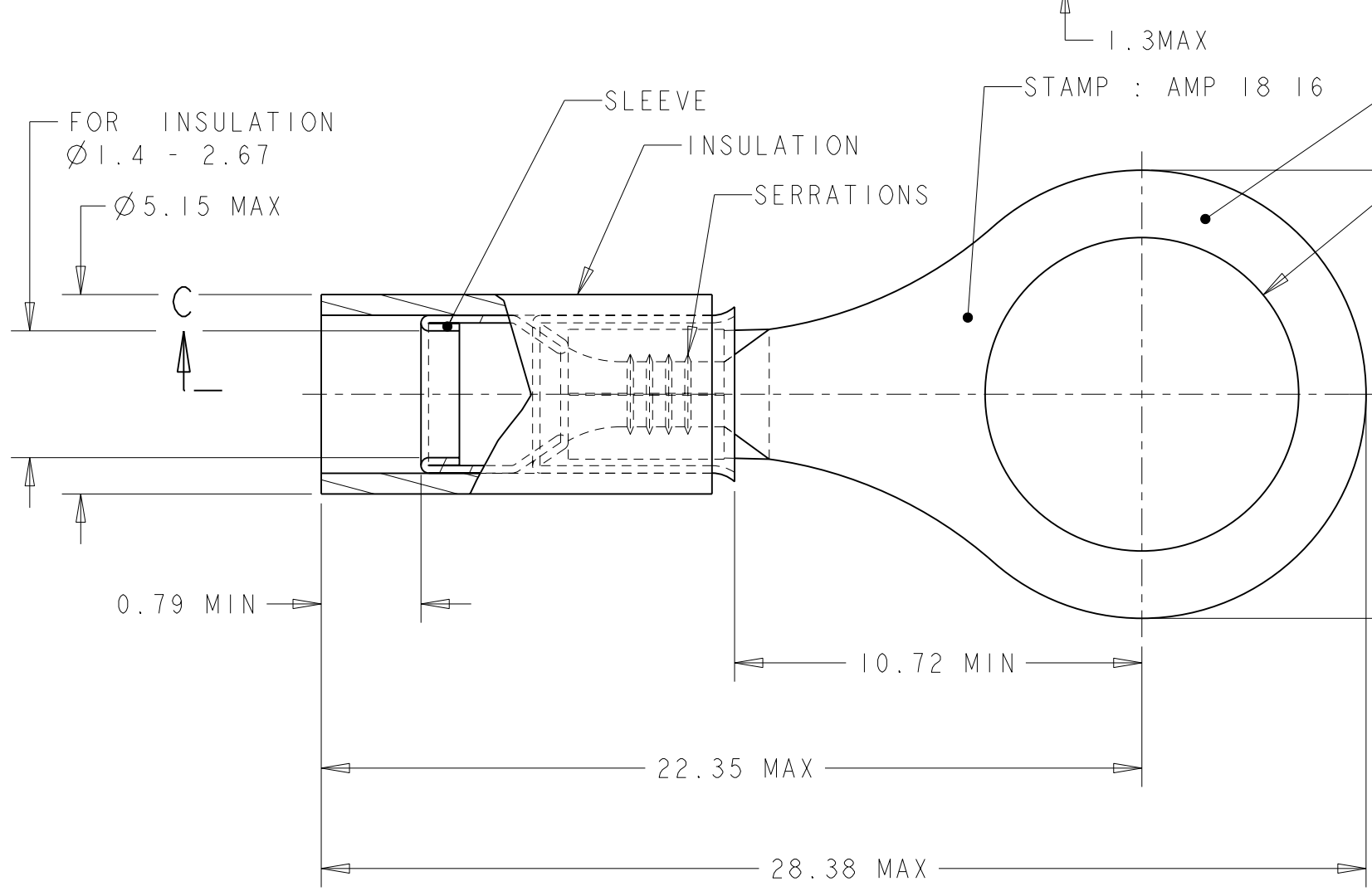
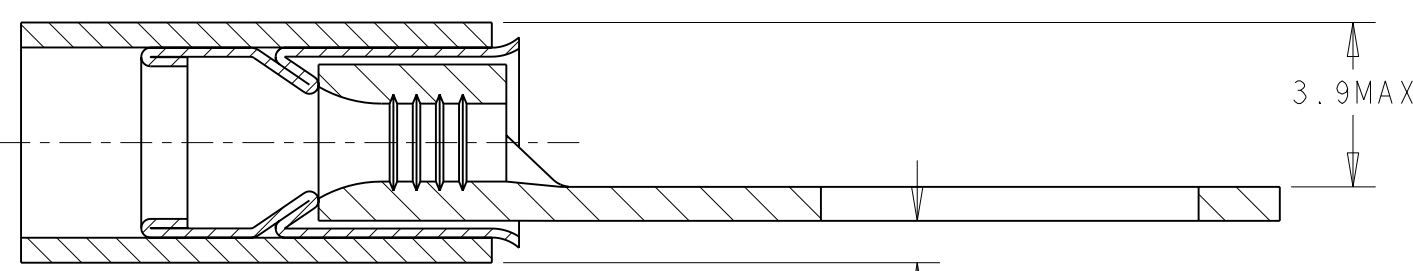


THIS DRAWING IS UNPUBLISHED. RELEASED FOR PUBLICATION 20
 © COPYRIGHT 20 BY TYCO ELECTRONICS CORPORATION. ALL RIGHTS RESERVED.

LOC	DIST	REVISIONS			
P	LTR	DESCRIPTION	DATE	DWN	APVD
F	00	B	09JUN2006	JJD	YP
		C	26OCT2007	JT	GR

COUPE C-C



WIRE TERMINAL	1577635-1	BODY : COPPER ANNEALED FINISH : NICKEL PLATED
		SLEEVE : COPPER ANNEALED FINISH : NICKEL PLATED
		INSULATION : PEEK COLOR : ORANGE
DESCRIPTION	PART NUMBER	MATERIAL & FINISH

<small>THIS DRAWING IS A CONTROLLED DOCUMENT FOR TYCO ELECTRONICS CORPORATION IT IS SUBJECT TO CHANGE AND THE CONTROLLING ENGINEERING ORGANIZATION SHOULD BE CONTACTED FOR THE LATEST REVISION.</small>		DWN	22FEB2006	 Tyco Electronics France SAS 95300 Pontoise, France					
DIMENSIONS: mm		CHK	22FEB2006						
TOLERANCES UNLESS OTHERWISE SPECIFIED: 0 PLC ±- 1 PLC ±0.3 2 PLC ±- 3 PLC ±- 4 PLC ±- ANGLES ±5 FINISH SEE TABLE		APVD	22FEB2006						
MATERIAL SEE TABLE		Y. PETRONIN PRODUCT SPEC 108-15356 APPLICATION SPEC 114-15102 WEIGHT 1,2 gr		NAME TERMINAL, PEEK PIDG STRATO, 18-16 AWG					
		SIZE	A3	CAGE CODE	00779	DRAWING NO	1577635	RESTRICTED TO	-
		CUSTOMER DRAWING		SCALE	6:1	SHEET	1 OF 1	REV	C