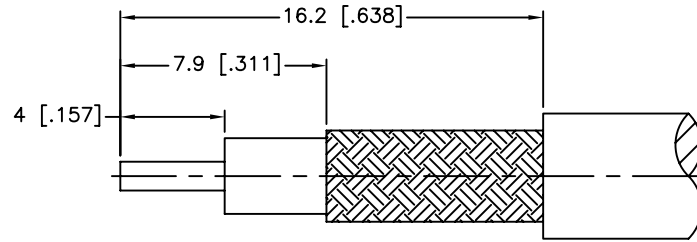
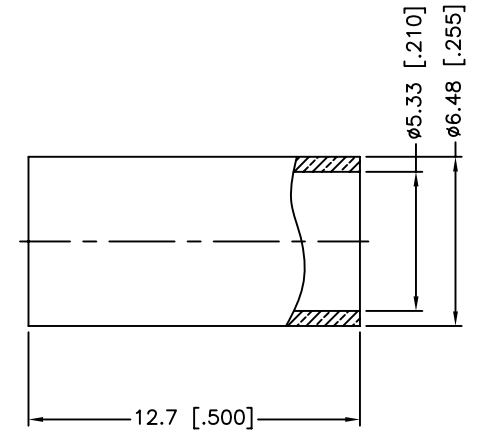
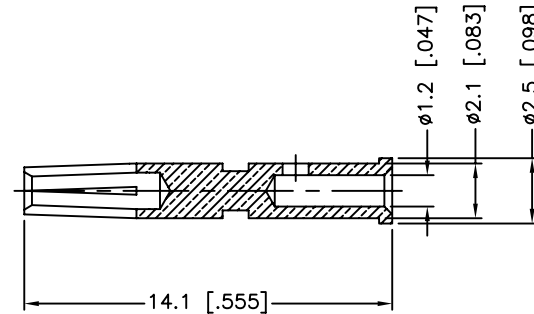
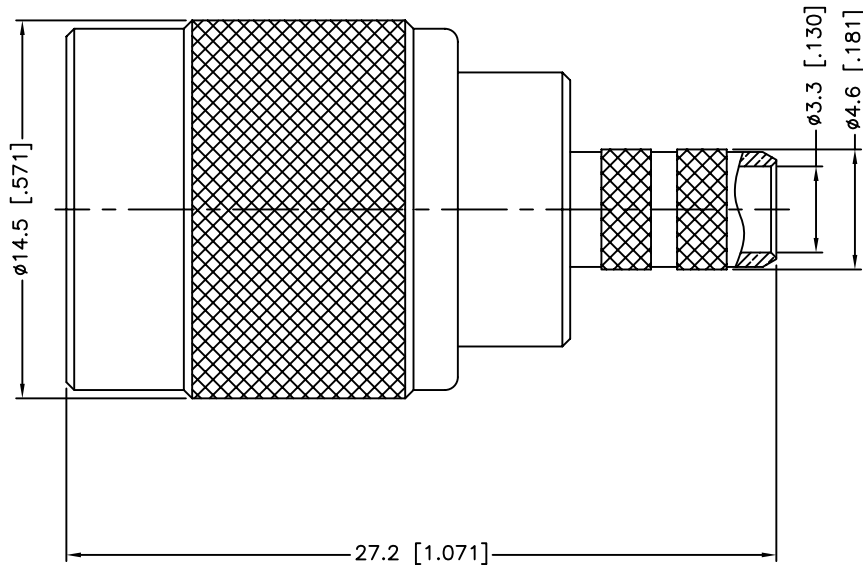


REV.	DATE	ECR NO.	DESCRIPTION
NC	10/09/01	XXXXXX	INITIAL RELEASE
A	02/21/11	2146	CHANGE THE FERRULE O.D. AND I.D. AND BODY'S DIMENSION



RECOMMENDED
CABLE STRIPPING DIM'S



NOTE:
1. CRIMPED FERRULE
HEX CRIMP SIZE .213"
2. CRIMPED CONTACT PIN
HEX CRIMP SIZE .068"

10	FERRULE	COPPER	NICKEL	1
9	CONTACT PIN	PHOSPHOR BRONZE	GOLD	1
8	WASHER	BRASS	NICKEL	1
7	RING	DELTRIN	NATURAL	1
6	RETAINER RING	BRASS	NICKEL	1
5	GASKET	RUBBER	RED	1
4	BARREL	BRASS	NICKEL	1
3	INSULATOR	PTFE	NATURAL	1
2	BODY	BRASS	NICKEL	1
1	SHELL	BRASS	NICKEL	1
	DESCRIPTION	MATERIAL	FINISH	QTY

UNLESS OTHERWISE SPECIFIED DIMENSIONS ARE IN MILLIMETERS. DIMENSIONS IN [] ARE IN INCHES AND FOR CUSTOMER REFERENCE ONLY.

UNLESS OTHERWISE SPECIFIED TOLERANCES FOR MILLIMETERS ARE:
0.5 - 8mm ± 0.20mm
8 - 30mm ± 0.40mm
30 - 120mm ± 0.50mm

UNLESS OTHERWISE SPECIFIED TOLERANCES FOR INCHES ARE:
.020 - .315 = ± 0.007"
.315 - 1.180 = ± 0.015"
1.180 - 4.724 = ± 0.020"

DO NOT SCALE DRAWING

APPROVALS	DATE
DRAWN S.LI	02/21/11
CHECKED	
ISSUED	
SHEET 1 OF 1	
CAD FILE C:/CONNEX/122410RP.DWG	

Amphenol Connex			
PART DESCRIPTION TNC REVERSE POLARITY CRIMP PLUG - LMR200			
PART NO. 122410RP			
DWG. NO.	122410RP.DWG	REV. A	SCALE NA