

Evaluation Board for 14-Lead TSSOP Devices in the **Switches and Multiplexers Portfolio**

FEATURES

- 14-lead TSSOP evaluation board
- Clamp allows main device to be easily changed
- Gold pin connectors allow addition of passive components
- SMB connectors for the input/output of signals
- Additional space on-board allows prototyping

EVALUATION KIT CONTENTS

- EVAL-14TSSOPEBZ evaluation board

DOCUMENTS REQUIRED

- Data sheet of the device being evaluated
- EVAL-14TSSOPEBZ user guide

HARDWARE REQUIRED

- Device being evaluated
- DC voltage source
- Analog signal source
- Method to measure voltage, such as a digital multimeter (DMM)

GENERAL DESCRIPTION

The EVAL-14TSSOPEBZ evaluates 14-lead TSSOP devices in the **Switches and Multiplexers Portfolio** that must be purchased separately from the evaluation board. A clamp is supplied with the EVAL-14TSSOPEBZ to secure a 14-lead TSSOP device to the evaluation board without the need for soldering, making the board reusable for multiple devices.

Figure 1 shows the EVAL-14TSSOPEBZ evaluation board. A 14-lead TSSOP device can be clamped or soldered to the center of the evaluation board. Each pin of the device being evaluated has a corresponding link from K1 to K14 that can be set to either V_{DD} or GND. A wire screw terminal supplies V_{DD} and GND. SMB connectors on the board allow additional external signals to be supplied to the device. In addition, there is space available at the top of the board for prototyping.

For full details, see the corresponding product data sheet, which must be used in conjunction with this user guide when using the evaluation board.

EVAL-14TSSOPEBZ EVALUATION BOARD PHOTOGRAPH

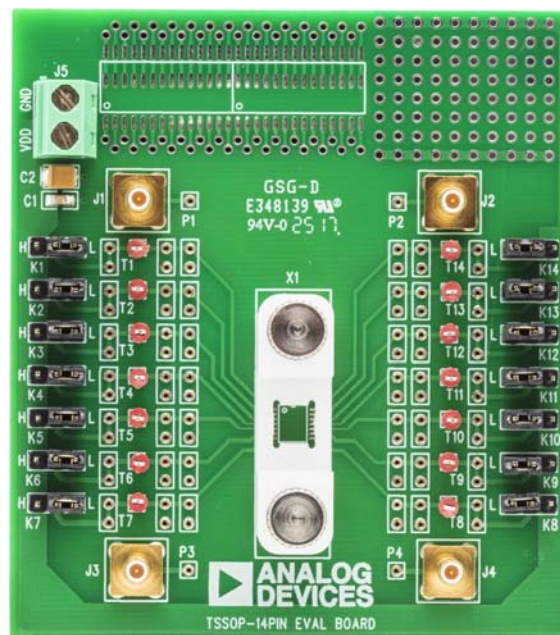


Figure 1.

TABLE OF CONTENTS

Features	1	Power Supply.....	3
Evaluation Kit Contents.....	1	Link Headers.....	3
Documents Required	1	SMB Connectors.....	3
Hardware Required	1	Input Signal Traces.....	3
General Description	1	Evaluation Board Schematic and Artwork.....	4
EVAL-14TSSOPEBZ Evaluation Board Photograph	1	Ordering Information.....	7
Revision History	2	Bill of Materials.....	7
Evaluation Board Hardware.....	3		

REVISION HISTORY

11/2017—Revision 0: Initial Version

EVALUATION BOARD HARDWARE

POWER SUPPLY

Connector J5 supplies the V_{DD} and GND supplies to the board. These supplies can be selected for each pin of the device by setting the link headers to either V_{DD} or GND. When a V_{SS} supply is needed, apply the voltage directly to the V_{SS} or GND pin of the device by removing the corresponding link.

LINK HEADERS

The link headers supply the device under test (DUT) with either V_{DD} or GND. The headers are designated K1 to K14 with the number of the header corresponding to the pin number of the device. Table 1 summarizes the link headers and their functions on the EVAL-14TSSOPEBZ evaluation board.

Table 1. Link Header Descriptions

Label	Position	Description
K1 to K14	H ¹	VDD
	L ²	GND

¹ H stands for high.

² L stands for low.

SMB CONNECTORS

There are four SMB connectors on the evaluation board: J1 to J4. When an SMB cable is connected to one of these connectors, the input signal becomes available on the corresponding P1 to P4 ports. Apply this signal to the relevant pin of the device by forming a connection from the P1 to P4 ports to a gold pin connector found on the relevant trace.

INPUT SIGNAL TRACES

Each trace includes three sets of gold pin connectors: two sets that can place a load on the signal path to ground and one set that is in series with the signal path. The three sets of gold pin connectors can create a simple resistor capacitor (RC) filter.

EVALUATION BOARD SCHEMATIC AND ARTWORK

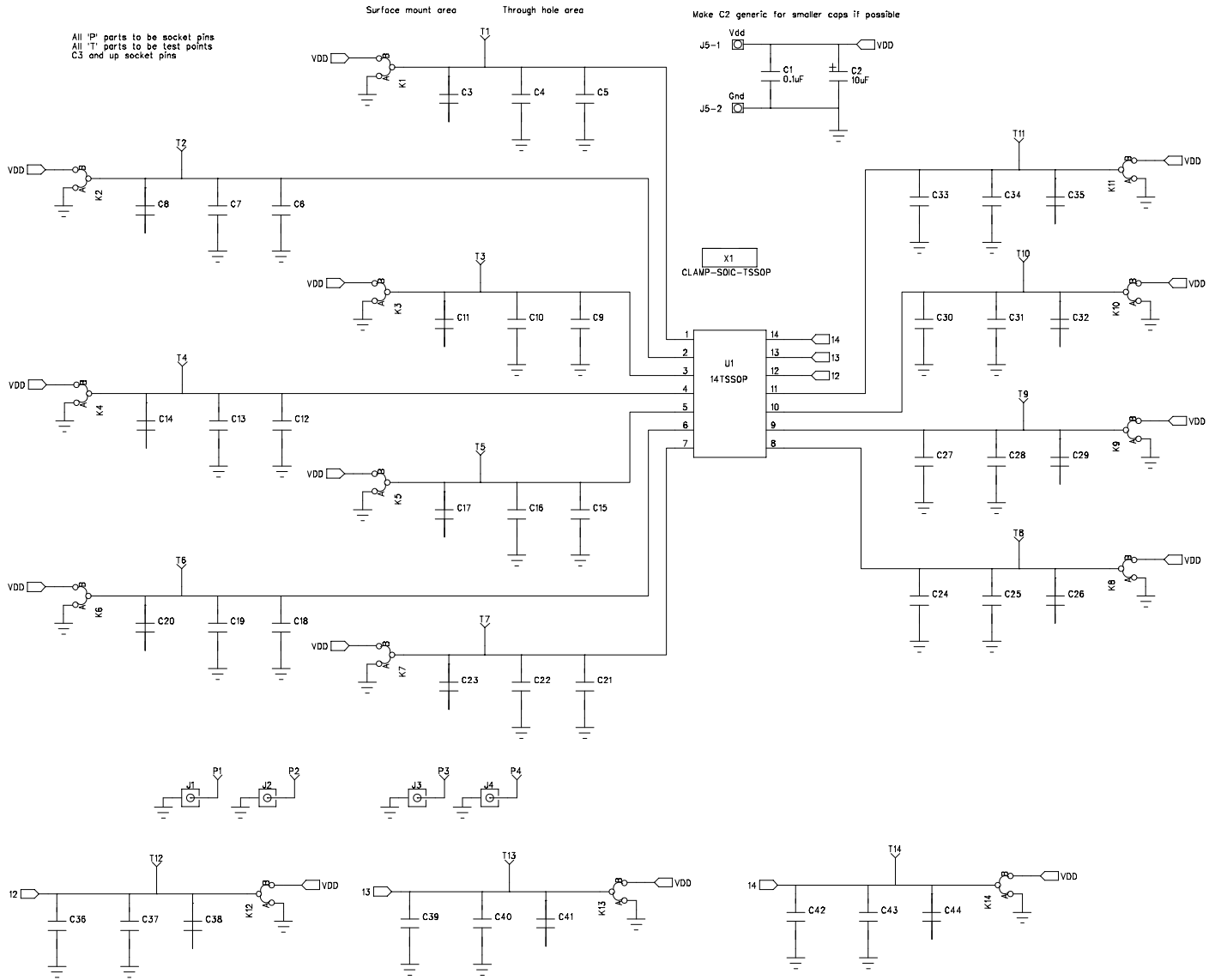
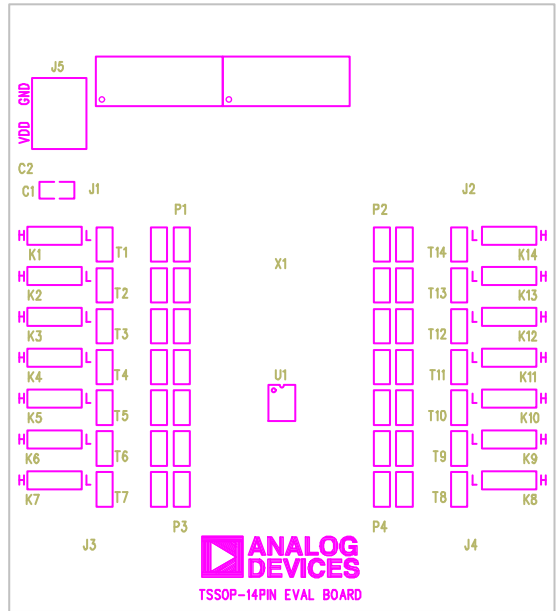


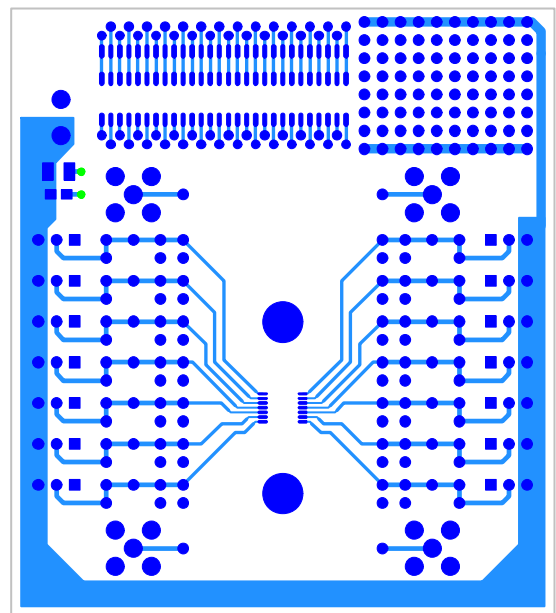
Figure 2. EVAL-14TSSOPEBZ Evaluation Board Schematic

16342-002



18342-003

Figure 3. EVAL-14TSSOPEBZ Evaluation Board Silkscreen



18342-004

Figure 4. EVAL-14TSSOPEBZ Evaluation Board Top Layer

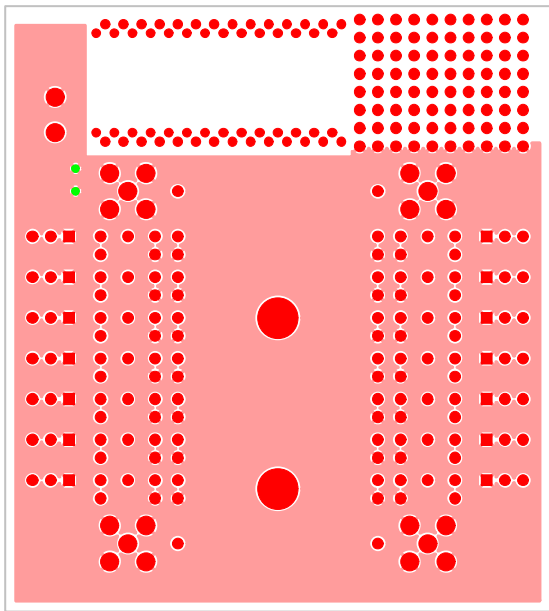


Figure 5. EVAL-14TSSOPEBZ Evaluation Board Bottom Layer

ORDERING INFORMATION

BILL OF MATERIALS

Table 2.

Qty	Reference Designator	Description	Manufacturer/Part Number
1	C1	0.1 µF, 50 V, X7R, ceramic capacitor	Murata/GRM21BR71H104KA01L
1	C2	10 µF, 10 V tantalum capacitor	AVX/TAJB106K016RNJ
42	C3 to C44	2 Harwin subminiature sockets for each component	Harwin/H3153-01
4	J1 to J4	SMB sockets	TE/1206013
1	J5	2-pin terminal block (5 mm pitch)	Lumberg/KRM 02
14	K1 to K14	Jumper blocks using 3-pin session initiation protocol (SIP) header	Harwin/M20-9990345 and M7566-05
4	P1 to P4	Harwin subminiature sockets	Harwin/H3153-01
14	T1 to T14	Test points	Vero/20-313137



ESD Caution

ESD (electrostatic discharge) sensitive device. Charged devices and circuit boards can discharge without detection. Although this product features patented or proprietary protection circuitry, damage may occur on devices subjected to high energy ESD. Therefore, proper ESD precautions should be taken to avoid performance degradation or loss of functionality.

Legal Terms and Conditions

By using the evaluation board discussed herein (together with any tools, components documentation or support materials, the "Evaluation Board"), you are agreeing to be bound by the terms and conditions set forth below ("Agreement") unless you have purchased the Evaluation Board, in which case the Analog Devices Standard Terms and Conditions of Sale shall govern. Do not use the Evaluation Board until you have read and agreed to the Agreement. Your use of the Evaluation Board shall signify your acceptance of the Agreement. This Agreement is made by and between you ("Customer") and Analog Devices, Inc. ("ADI"), with its principal place of business at One Technology Way, Norwood, MA 02062, USA. Subject to the terms and conditions of the Agreement, ADI hereby grants to Customer a free, limited, personal, temporary, non-exclusive, non-sublicensable, non-transferable license to use the Evaluation Board FOR EVALUATION PURPOSES ONLY. Customer understands and agrees that the Evaluation Board is provided for the sole and exclusive purpose referenced above, and agrees not to use the Evaluation Board for any other purpose. Furthermore, the license granted is expressly made subject to the following additional limitations: Customer shall not (i) rent, lease, display, sell, transfer, assign, sublicense, or distribute the Evaluation Board; and (ii) permit any Third Party to access the Evaluation Board. As used herein, the term "Third Party" includes any entity other than ADI, Customer, their employees, affiliates and in-house consultants. The Evaluation Board is NOT sold to Customer; all rights not expressly granted herein, including ownership of the Evaluation Board, are reserved by ADI. CONFIDENTIALITY. This Agreement and the Evaluation Board shall all be considered the confidential and proprietary information of ADI. Customer may not disclose or transfer any portion of the Evaluation Board to any other party for any reason. Upon discontinuation of use of the Evaluation Board or termination of this Agreement, Customer agrees to promptly return the Evaluation Board to ADI. ADDITIONAL RESTRICTIONS. Customer may not disassemble, decompile or reverse engineer chips on the Evaluation Board. Customer shall inform ADI of any occurred damages or any modifications or alterations it makes to the Evaluation Board, including but not limited to soldering or any other activity that affects the material content of the Evaluation Board. Modifications to the Evaluation Board must comply with applicable law, including but not limited to the RoHS Directive. TERMINATION. ADI may terminate this Agreement at any time upon giving written notice to Customer. Customer agrees to return to ADI the Evaluation Board at that time. LIMITATION OF LIABILITY. THE EVALUATION BOARD PROVIDED HEREUNDER IS PROVIDED "AS IS" AND ADI MAKES NO WARRANTIES OR REPRESENTATIONS OF ANY KIND WITH RESPECT TO IT. ADI SPECIFICALLY DISCLAIMS ANY REPRESENTATIONS, ENDORSEMENTS, GUARANTEES, OR WARRANTIES, EXPRESS OR IMPLIED, RELATED TO THE EVALUATION BOARD INCLUDING, BUT NOT LIMITED TO, THE IMPLIED WARRANTY OF MERCHANTABILITY, TITLE, FITNESS FOR A PARTICULAR PURPOSE OR NON-INFRINGEMENT OF INTELLECTUAL PROPERTY RIGHTS. IN NO EVENT WILL ADI AND ITS LICENSORS BE LIABLE FOR ANY INCIDENTAL, SPECIAL, INDIRECT, OR CONSEQUENTIAL DAMAGES RESULTING FROM CUSTOMER'S POSSESSION OR USE OF THE EVALUATION BOARD, INCLUDING BUT NOT LIMITED TO LOST PROFITS, DELAY COSTS, LABOR COSTS OR LOSS OF GOODWILL. ADI'S TOTAL LIABILITY FROM ANY AND ALL CAUSES SHALL BE LIMITED TO THE AMOUNT OF ONE HUNDRED US DOLLARS (\$100.00). EXPORT. Customer agrees that it will not directly or indirectly export the Evaluation Board to another country, and that it will comply with all applicable United States federal laws and regulations relating to exports. GOVERNING LAW. This Agreement shall be governed by and construed in accordance with the substantive laws of the Commonwealth of Massachusetts (excluding conflict of law rules). Any legal action regarding this Agreement will be heard in the state or federal courts having jurisdiction in Suffolk County, Massachusetts, and Customer hereby submits to the personal jurisdiction and venue of such courts. The United Nations Convention on Contracts for the International Sale of Goods shall not apply to this Agreement and is expressly disclaimed.

©2017 Analog Devices, Inc. All rights reserved. Trademarks and registered trademarks are the property of their respective owners. UG16342-0-11/17(0)



www.analog.com