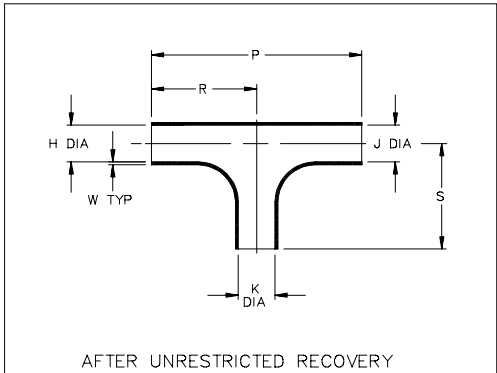
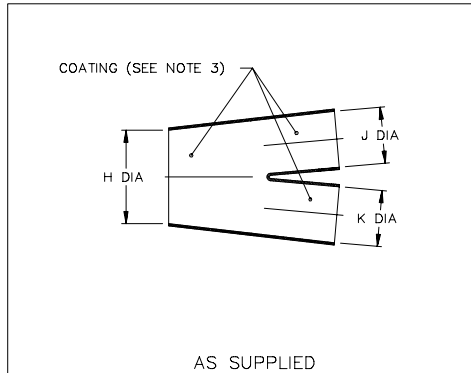


Thermofit<sup>®</sup> Molded Parts  
 Specification Control Drawing  
 Limited Distribution

Part Number : 301A5XX-X-08  
 Description : Slimline Transition, "T"

NOTES

- All dimensions are in  $\frac{\text{inches}}{\text{[millimeters]}}$
- Dimensions appearing in table are as follows:
  - a - As Supplied
  - b - After Unrestricted Recovery
- Coating is optional. As supplied dimensions appearing in table are for uncoated parts. When coating is added, entry diameters will be reduced by .06 max.



PART NUMBER	H		J & K		W	P	R & S
	Min	Max	Min	Max	Nom	Nom	Nom
	a	b	a	b	b	b	b
301A511-X-08	.78 [19,8]	.26 [6,6]	.52 [13,2]	.26 [6,6]	.04 [1,0]	1.59 [40,4]	.79 [20,0]
301A512-X-08	1.35 [34,3]	.45 [11,4]	.90 [22,9]	.45 [11,4]	.05 [1,3]	2.50 [63,5]	1.25 [31,7]

**If this document is printed it becomes uncontrolled.  
 Check for the latest revision.**



RAYCHEM CORPORATION  
 300 CONSTITUTION DRIVE  
 MENLO PARK, CALIFORNIA 94025

Revision : B  
 Date : 12/16/98

Part Number : 301A5XX-X-08  
 Description : Slimline Transition, "T"

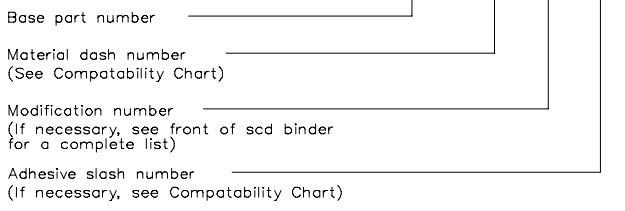
Thermofit<sup>®</sup> Molded Parts  
 Specification Control Drawing  
 Limited Distribution

Part Number : 301A5XX-X-08  
 Description : Slimline Transition, "T"

COMPATABILITY CHART					
MATERIAL DASH NO.	MATERIAL DESCRIPTION	RT SPEC	COATING SLASH NO.	COATING S NO.	COATING DESCRIPTION
-50	Flexible VPB	RT-1313	N/A		
-51	Flexible EPB	RT-1321	/164	S-1124	Adhesive
-71	Flexible Polyolefin	RT-1316	/86	S-1048	Adhesive

ORDERING INFORMATION

301A5XX -X -08 /XXX



THIS DRAWING IS SUBJECT TO CHANGE WITHOUT NOTICE; CONSULT YOUR NEAREST FIELD REPRESENTATIVE FOR CURRENT REVISION



RAYCHEM CORPORATION  
 300 CONSTITUTION DRIVE  
 MENLO PARK, CALIFORNIA 94025

Revision : B  
 Date : 12/16/98

Part Number : 301A5XX-X-08  
 Description : Slimline Transition, "T"