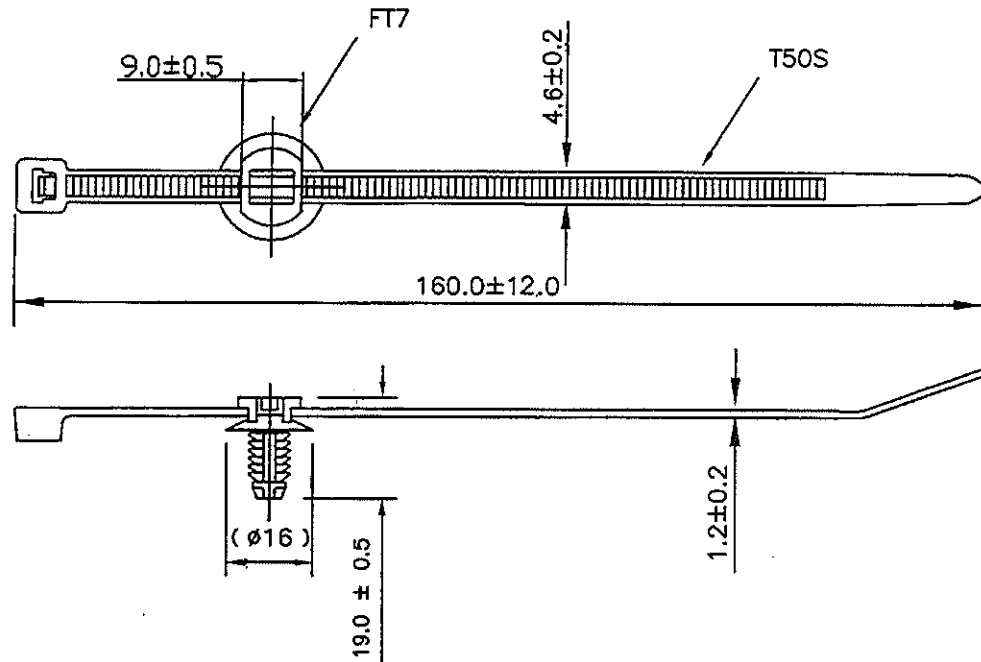


Revision No. 变更数	Revisions 变更事项	Changed 修改者	Date 日期	Approved 确认者	Date 日期



Product code 型号	Material/材料:	Color/颜色	Continuous Operation Temperature/适用温度范围	Flame Rating 耐燃性
T50SFT7-HSB	尼龙66 (聚酰胺66) 耐热型 66 Nylon (Polyamid 66)	Black/黑色	-40°C~+105°C	UL94V-2
T50SFT7-HSW	尼龙66 (聚酰胺66) 耐热, 耐烧型 66 Nylon (Polyamid 66)	Black/黑色	-40°C~+105°C	

Minimum Extraction force/最小拔出力	200N
Maximum insertion force/最大插入力	100N
Panel hole diameter range 适用孔径	Ø6.5 to 7.0
Panel thickness range 适用板厚	0.8 to 7.0
Min. Loop Tensile Strength 最小抗拉强度	225N
Bundle Diameter 捆扎直径	1.5 to 35.0

Material/材料 : FT7-尼龙66 (聚酰胺66) 66 Nylon (Polyamid 66) T50S-尼龙66 (聚酰胺66) 66 Nylon (Polyamid 66)		
Dimension Units/尺寸单位		mm
PERFORMANCE / 性能 SPECIFICATION / 标准		

the copyright of this drawing is reserved by HELLERMANN TYTON.  
it is issued on condition that it is not reproduced, copied or disclosed to a third party, either wholly or in part, without the consent of HELLERMANN TYTON.

Drawn/制图 HuangSheng 07/JUN/2007  
Approved/审核

**HellermannTyton**  
海尔曼太通(无锡)电器配件有限公司  
(WUXI) Electrical Accessories Co., Ltd.  
Tel: +86-510-5282536  
Fax: +86-510-5280112

Scale/比例 ND /无	Title/品名 <b>T50SFT7</b>
Drawing-No/图号 <b>QDQ210-00B-00</b>	
Format/格式 <b>A4</b>	