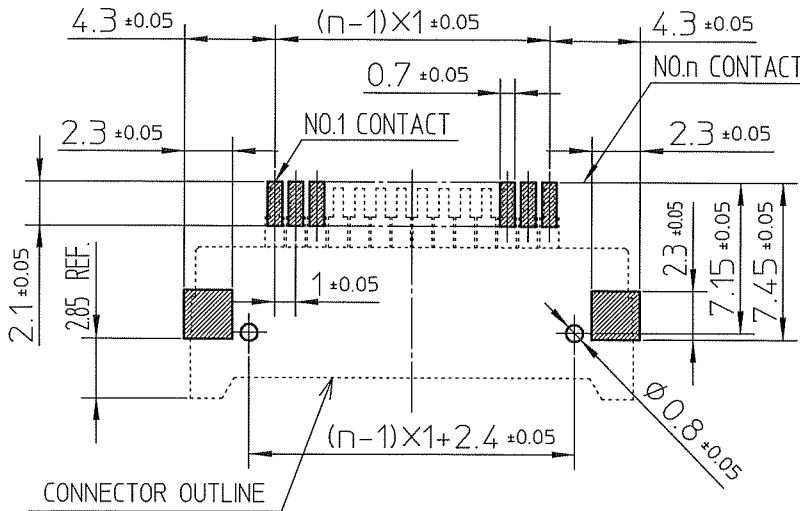


PT. NO.	PARTS NAME	MATERIAL	Q'TY	NOTE
1	HOUSING	GLASS FILLED THERMOPLASTIC RATED (UL94V-0)	1	COLOR:BRACK
2	CONTACT	BRASS	n	PLATING:TIN (LEAD FREE)
3	MOUNTING PLATE	BRASS	2	PLATING:TIN (LEAD FREE)

RECOMMENDED PC BOARD LAYOUT  
(COMPONENT SIDE)

n:NO. OF CONTACTS  
(10 TO 30 , ONLY EVEN POS.)



NOTE  
1.Flatness for contact terminal and mounting plate must be within 0.1.  
2.This product meets European Union Directives and other country regulations as described in GS-22-008.

mat'l. code		surface ISO 1302 ✓		tolerance ISO 406 ISO 1101		projection 		product family 590F		
ltr	ecn no	dr	date	tolerances unless otherwise specified		title FLOATING BOARD TO BOARD RECEPTACLE CONNECTOR (LEAD FREE) (CAT.No.BTFW__R-3RBTLF)				
A	J05-0470	M.K	Aug.2,'05	angles	linear	± 0.3	scale			
B	J07-0021	M.K	Jan.15,'07							
		dr	K.Higuchi	Jan.15,'07			dwg no		sheet 1 of 1	size
		enr	M.Koga	Jan.15,'07			JSA 96640		A4	
		chr	K.Higuchi	Jan.15,'07			type		Product Customer Drawing	
		appd	M.Koga	Jan.15,'07						
sheet index	revision sheet									Rev B



FCIconnect.com

Copyright FCI