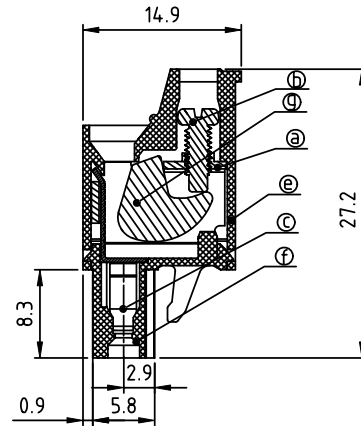
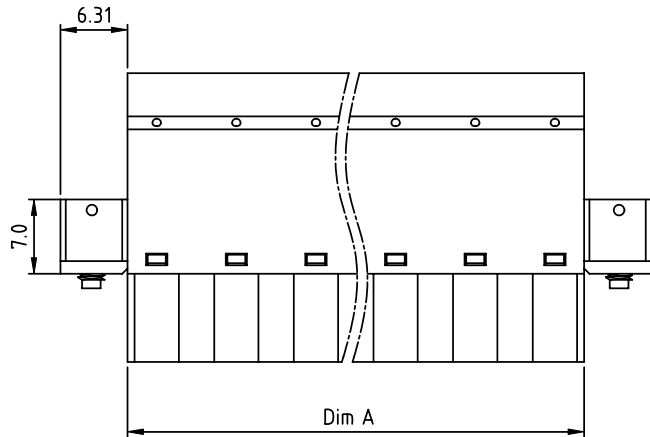
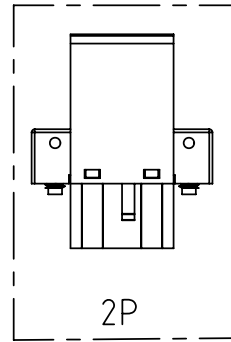
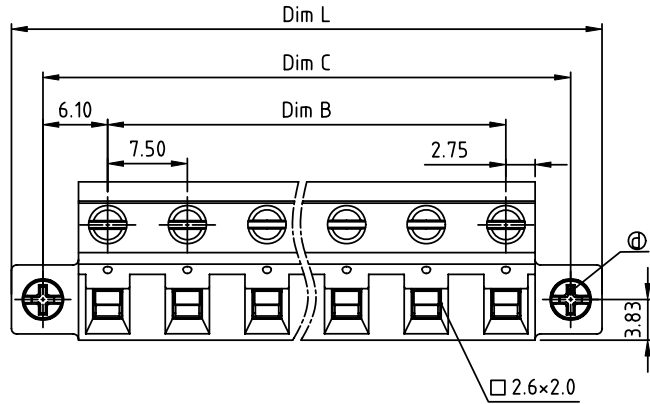


PRODUCT NUMBER	PITCH
VMxxA5x300J0G	7.50 mm



Material:

- Item⑧ Clamp: Steel zinc plated.
- Item⑦ Terminal screw: Steel Zinc plating "-" slot type
- Item⑥ Female contact: High conductivity copper Tin plated
- Item⑤ With flange screw: Steel zinc plated M2.5 "+/-" slot type
- Item④ Terminal (top body): Thermoplastic (UL94V-0)
- Item③ Terminal (bottom body): Thermoplastic (UL94V-0)
- Item② Clampage: Steel Zinc plated

Electrical cULus

- Voltage rating: 300VAC
- Current rating: 20A
- Wire range: 0.34-2.5mm<sup>2</sup>
- Solid wire(AWG): 12-22
- Stranded wire(AWG): 12-22
- Torque: 3.5Lb-In
- Screw: M2.5
- Wire strip length: 6-7mm
- Withstanding Voltage: 1.6KV
- Operating temperature: -40°C to +115°C
- Safety approval:

DIMENSION

Dim L	(N-1)×7.5+18.12
Dim A	(N-1)×7.5+5.5
Dim B	(N-1)×7.5
Dim C	(N-1)×7.5+12.2

N=Number of poles

Poles	Tolerance
2p-4p	±0.10
5p-8p	±0.20
9p-12p	±0.30
13p-16p	±0.40

PART NO.: VM xx A5 x 3 00J0 G

	Color	RoHS compliant
Solid block	0 Black (RAL9005)	(lead<4%)
No. of poles	2 Red (RAL3001/D)	In copper Alloy
02 2 poles	3 Orange(RAL2011/P)	
03 3 poles	4 Yellow(RAL1018/A)	
...	5 Green(RAL6018/T)	
16 16 poles	6 Blue (RAL5015/A)	
	8 Grey(RAL7035/D)	
	9 White(RAL1102)	
	C Green(RAL6018/U)	

mat'l. code		surface ASME Y14.5	tolerance ASME Y14.5	projection	product family TERMINAL BLOCK
ltr	ecn no	dr	date	 MM	title TERMINAL BLOCK
tolerances unless otherwise specified					
angles		X.±0.5			dwg no
X*±1"		X.XX±0.1			sheet 1 of 1
dr	ENGR	EVIN ZHONG	042114		size
enr	EVIN ZHONG	042114			A4
chr	HANKE FENG	042114		type	CUSTOMER Drawing
appd	SHI JUN	042114			
sheet index	revision	A			
	sheet	1			