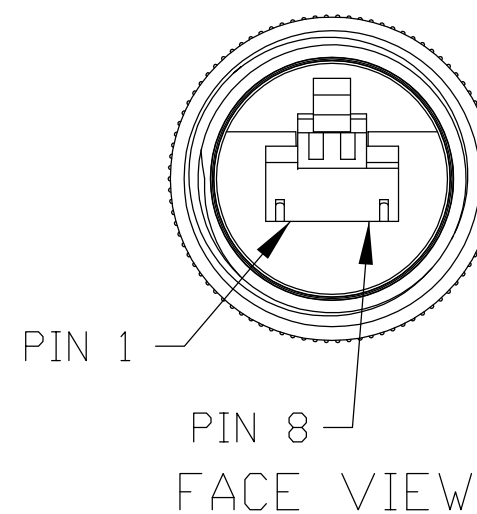
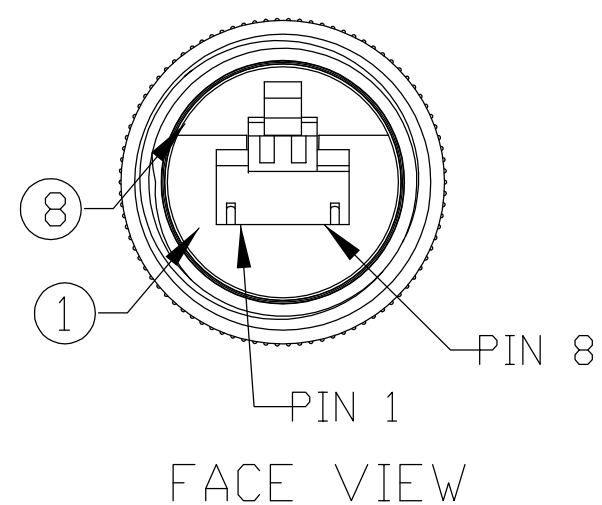
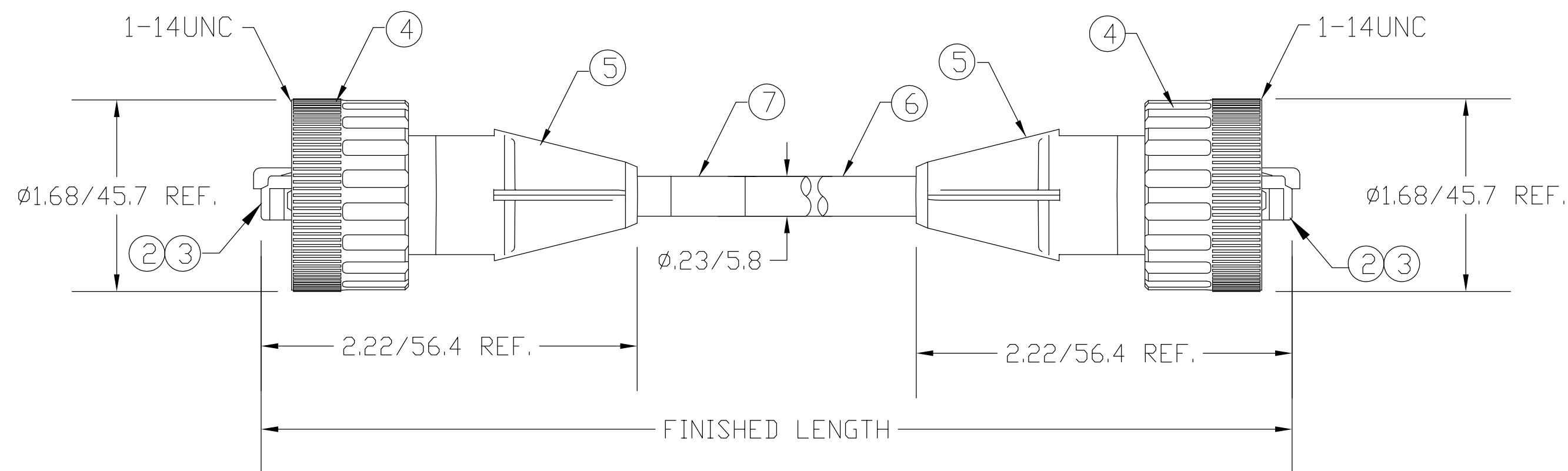
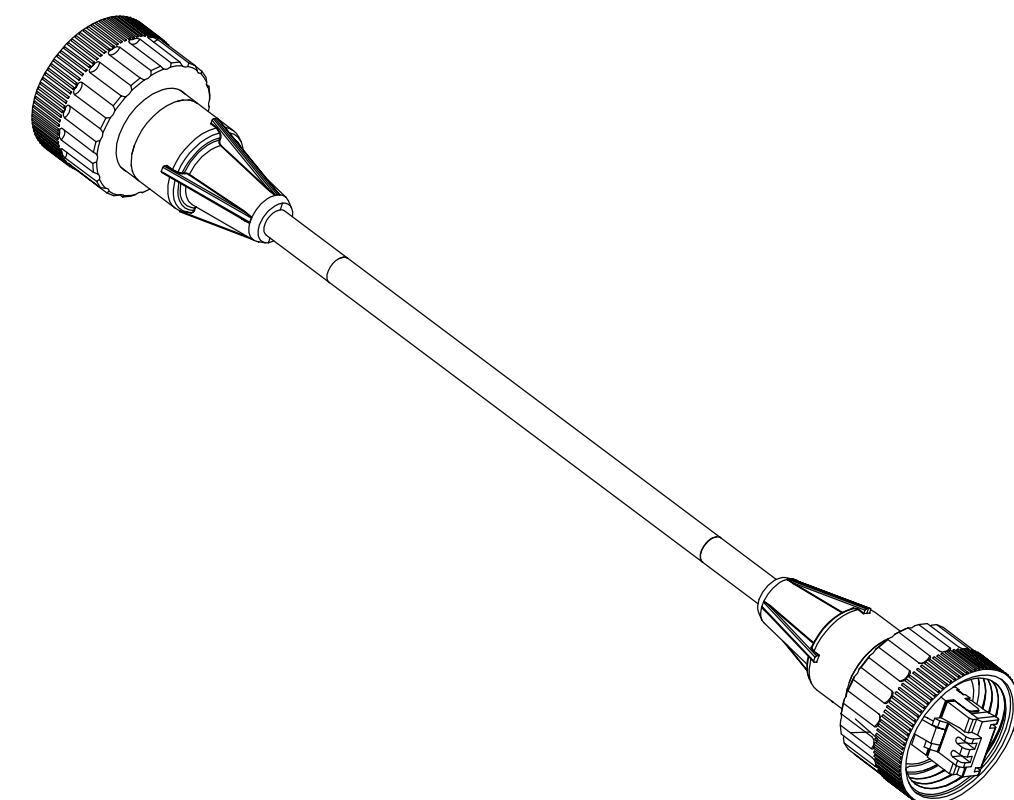


MATERIAL NUMBER	OLD PART NUMBER	FINISHED LENGTH
130050-0412	ENS3115M010	3.28' +2.19" -0 [1.0M +55.6 -0]
130050-0413	ENS3115M020	6.56' +3.50" -0 [2.0M +88.9 -0]
130050-0414	ENS3115M030	9.84' +3.50" -0 [3.0M +88.9 -0]
130050-0415	ENS3115M040	13.12' +6.50" -0 [4.0M +165.1 -0]
130050-0416	ENS3115M050	16.40' +6.50" -0 [5.0M +165.1 -0]



1	WHITE/ORANGE	1
2	ORANGE	2
3	WHITE/GREEN	3
4	BLUE	4
5	WHITE/BLUE	5
6	GREEN	6
7	WHITE/BROWN	7
8	BROWN	8
SHD	DRAIN WIRE	SHD

WIRING DIAGRAM

ITEM	COMPONENT	MATERIAL	FINISH
1	INSERT	ABS	BLACK
2	CONTACT SOCKET	COPPER ALLOY	GOLD OVER NICKEL
3	CONTACT HOUSING	POLYCARBONATE	CLEAR
4	COUPLING NUT	ABS	BLACK
5	OVERMOLD	PUR	BLACK
6	CABLE- 24AWG, (SOLID COPPER), 4 TWISTED PAIRS, CAT5e, SHIELDED	PUR	BLACK
7	LABEL	PLASTIC FILM	CLEAR/YELLOW
8	O-RING	VITON	BLACK

VOLTAGE RATING	125 VDC
AMPERAGE RATING	1.5 AMPS
PROTECTION	IP67
OPERATING TEMPERATURE	-20°C TO 80°C

RLSO DRAWING EC NO: WNA2009-0659 DRWN: BWOODMAN 4/3/09 CH'KD: JM APPR: JFMURPHY 2009/04/17	QUALITY SYMBOL	GENERAL TOLERANCES (UNLESS SPECIFIED)	DIMENSION STYLE	SCALE	DESIGN UNITS	THIRD ANGLE PROJECTION	
	$\nabla=0$ $\sphericalangle=0$	4 PLACES ±--- 3 PLACES ±--- 2 PLACES ±--- 1 PLACE ±0.3	IN/MM mm INCH ±--- ±--- ±--- ±0.1 ±--- ±---	DRAWN BY DATE BW 2009/04/03 CHECKED BY DATE TW 2009/04/03 APPROVED BY DATE	---		---
	DRAFT WHERE APPLICABLE MUST REMAIN WITHIN DIMENSIONS		ANGULAR ±---°	SEE CHART	TITLE		RJ-LNXX CORDSET MALE/MALE TIA-568B PUR CABLE MOLEX INCORPORATED
	MATERIAL NO.		DOCUMENT NO.		SHEET NO.		
A		C		SD-130050-001		1 OF 1	
THIS DRAWING CONTAINS INFORMATION THAT IS PROPRIETARY TO MOLEX INCORPORATED AND SHOULD NOT BE USED WITHOUT WRITTEN PERMISSION							