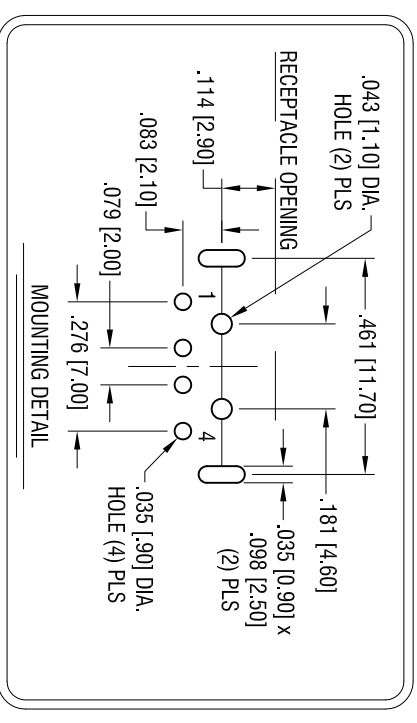
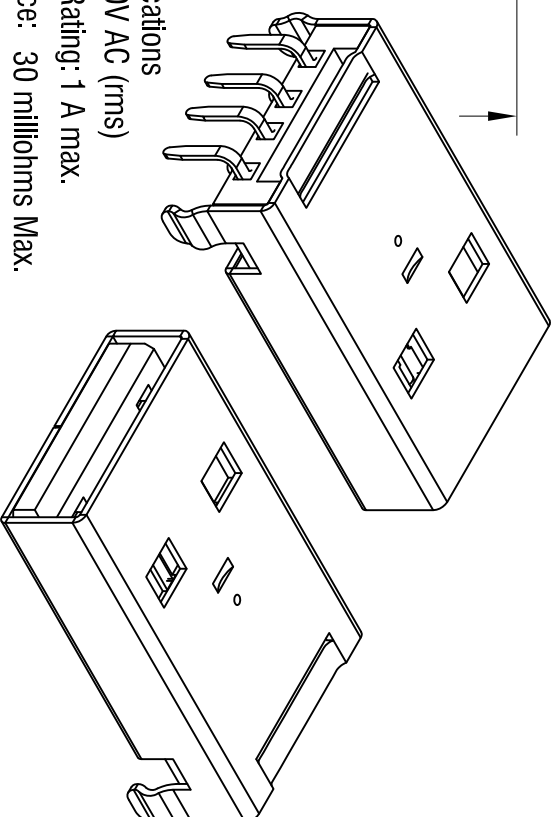
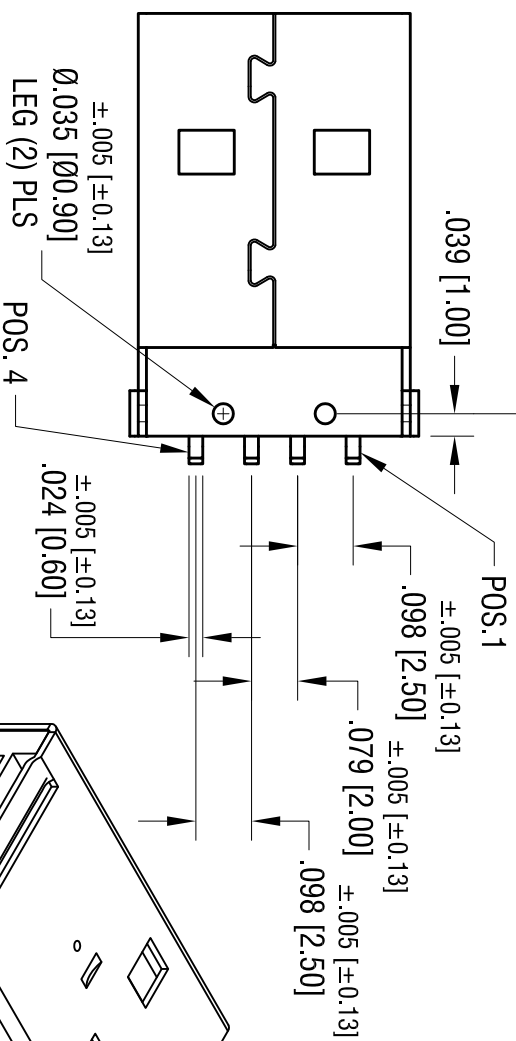
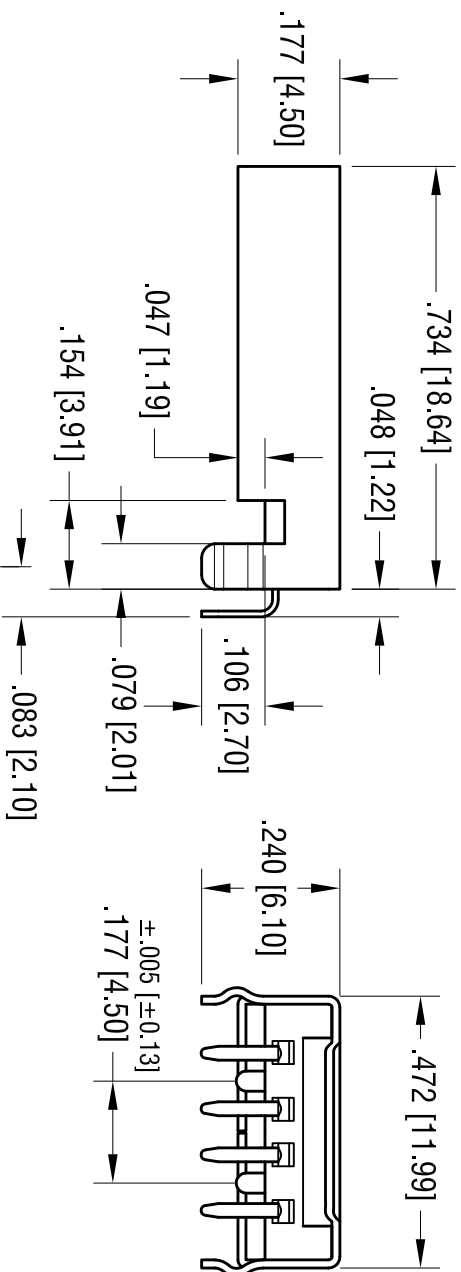


DATE	DESCRIPTION	REV.
12.22.09	CHANGE AS PER ECN 09-193	A
6.01.11	CHANGE AS PER ECN 11-078	B



KEYSTONE ELECTRONICS CORP.

www.keystone.com • ASTORIA, N.Y. 11105-2017 • Tel (718) 956-8900

PART NAME

USB A-TYPE HORIZONTAL PC PLUG

MATERIAL

AS NOTED

FINISH

AS NOTED

TOLERANCES	INCH	[MM]	CODE	DWG NO.
DECIMAL	± .010	[± 0.25]	C/M	932
ANGULAR	± 1°			
UNLESS OTHERWISE SPECIFIED				

Notes:

Material:

Shell: Steel, Nickel Plate.

Insulator: PBT, UL 94-V0

Contacts: Phosphor Bronze

Finish:

Contact Area: Gold Plate over Nickel Plate

on Solder Tail: Tin Plate over Nickel Plate

Electrical Specifications

Rated Voltage: 30V AC (rms)

Contact Current Rating: 1 A max.

Contact Resistance: 30 milliohms Max.

Dielectric Withstanding: 500V AC

Operating Temperature: -20°C to 85°C

THIS DOCUMENT IS THE PROPERTY OF KEYSTONE ELECTRONICS CORP. AND SHALL NOT BE REPRODUCED, DISTRIBUTED OR USED AS A BASIS FOR MANUFACTURE WITHOUT PRIOR WRITTEN PERMISSION FROM KEYSTONE ELECTRONICS CORP.