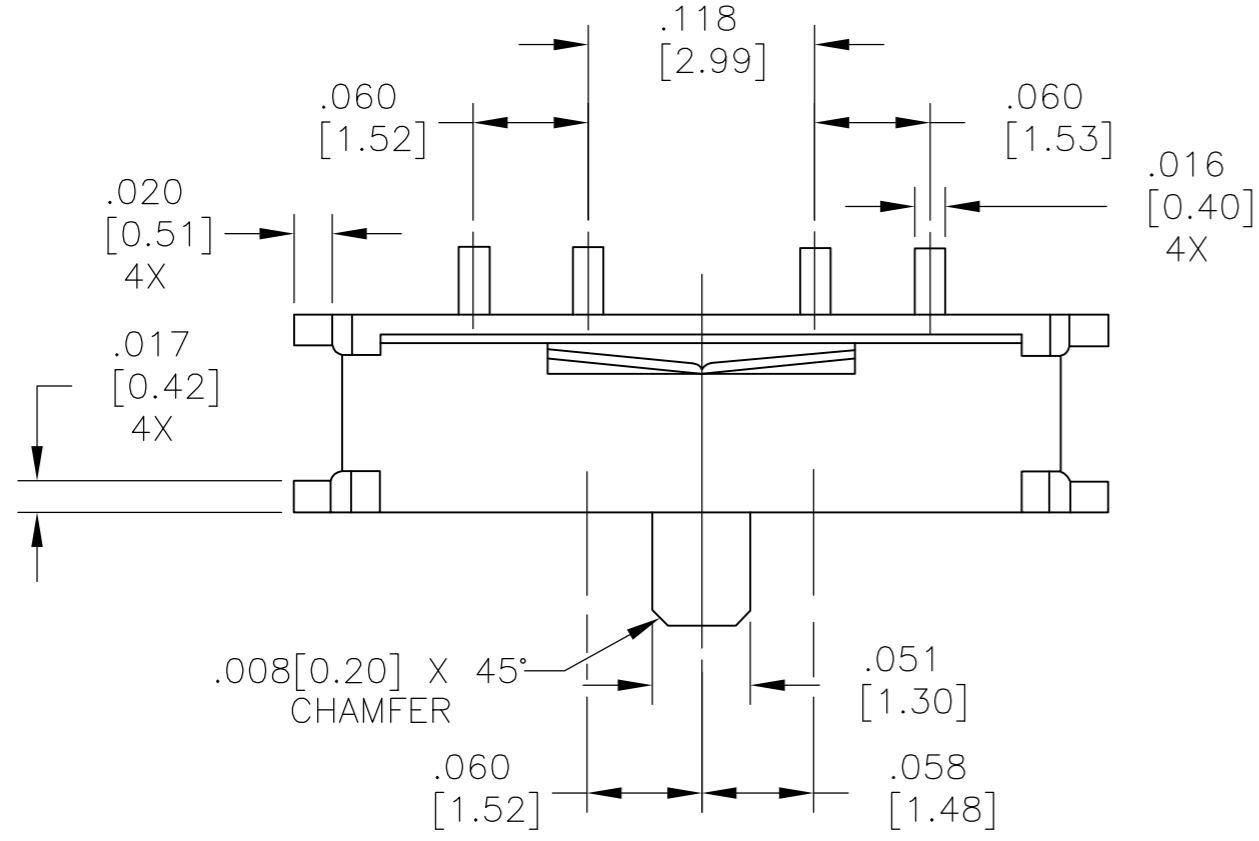


THIS DRAWING IS UNPUBLISHED. RELEASED FOR PUBLICATION  
 © COPYRIGHT BY TYCO ELECTRONICS CORPORATION. ALL RIGHTS RESERVED.

LOC	DIST	REVISIONS			
P	LTR	DESCRIPTION	DATE	DWN	APVD
AD	00				
	A1	REVISED PER ECO-09-012884	5/29/09	SS	MW



SPECIFICATIONS:

MATERIALS:  
 CASE: LCP UL94V-0, BLACK  
 COVER, NICKEL SILVER ALLOY-PLATE SILVER OVER NICKEL.  
 ACTUATOR: NYLON 46 UL94V-0, BLACK  
 MOVING CONTACT: COPPER ALLOY-PLATE SILVER OVER NICKEL  
 FIXED CONTACT/TERMINAL, COPPER ALLOY-PLATE SILVER OVER NICKEL  
 SPRING PLATE, STAINLESS STEEL-PLATE SILVER OVER NICKEL

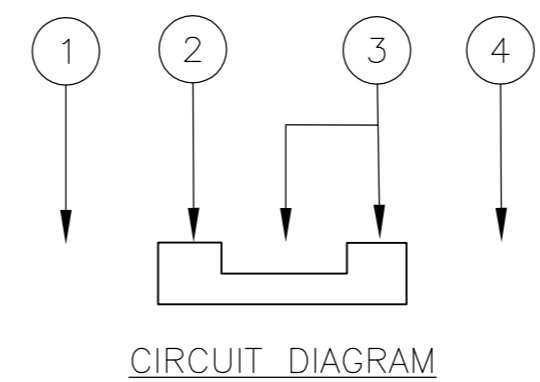
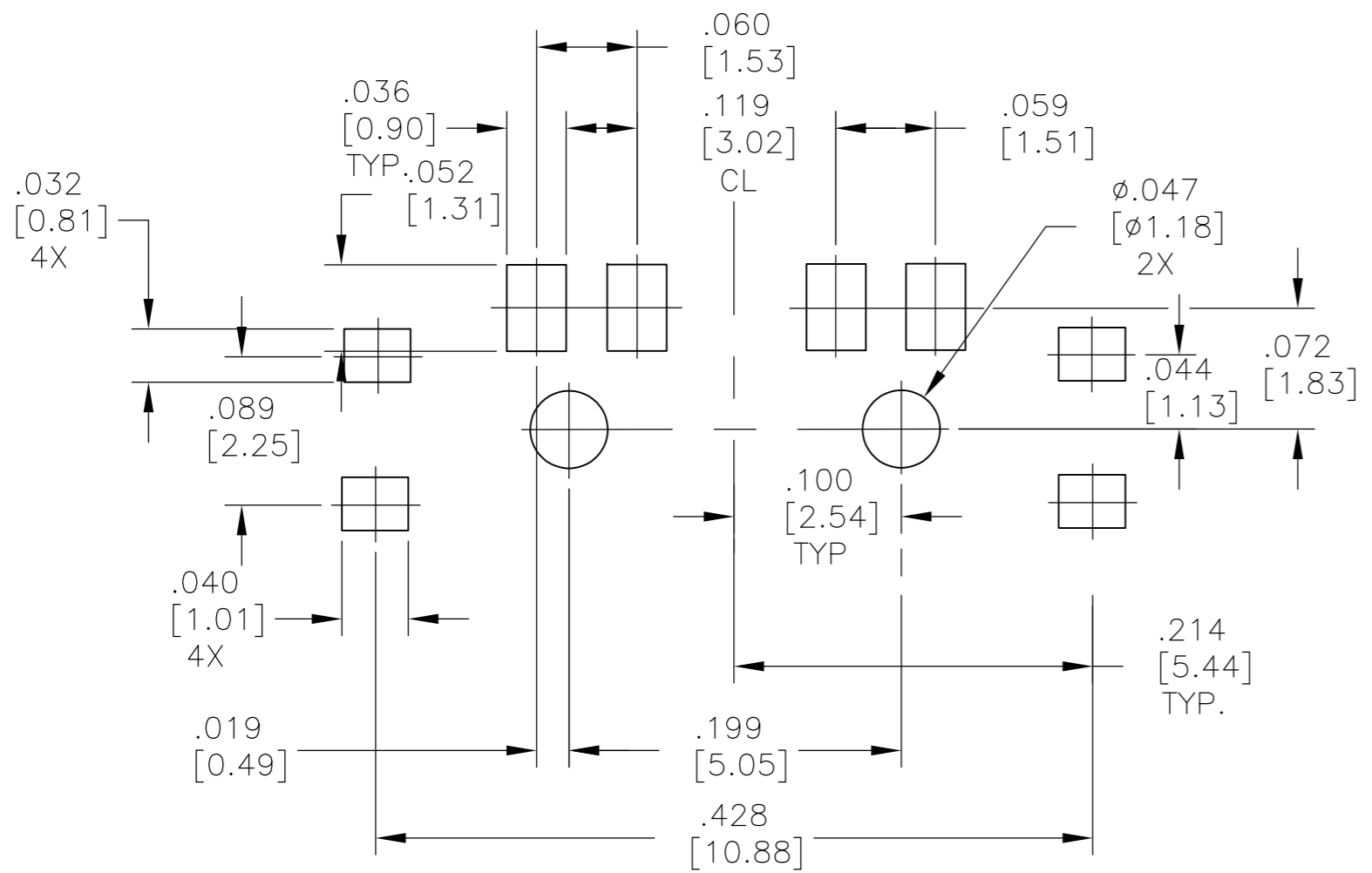
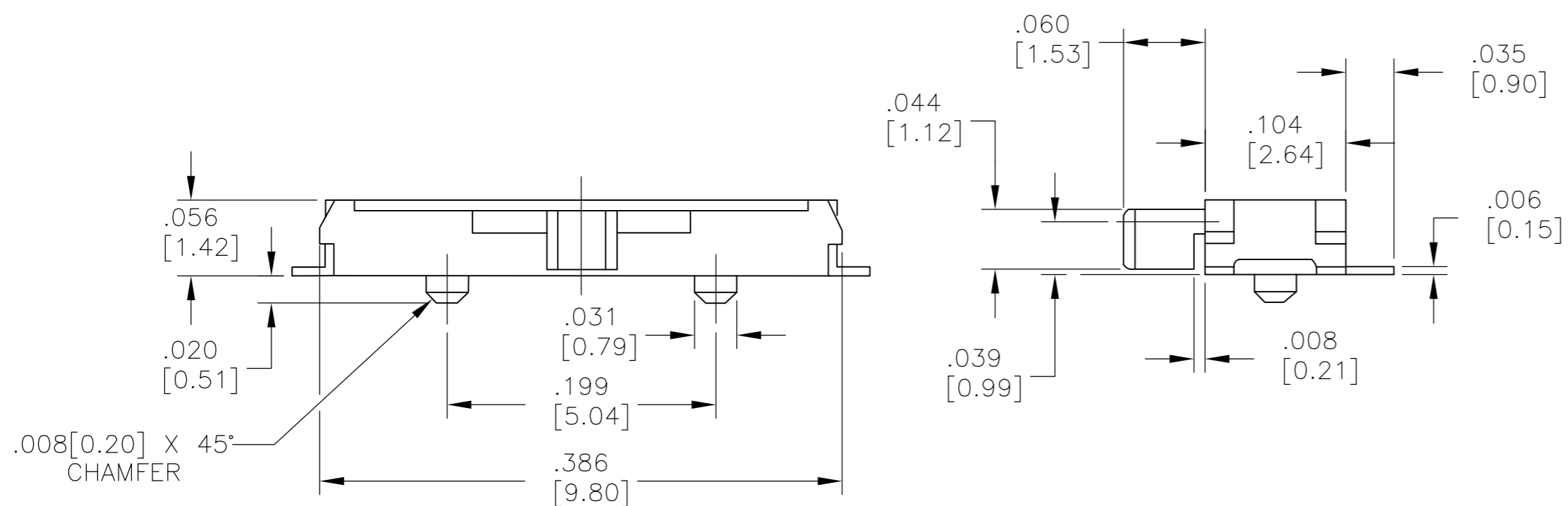
ELECTRICAL:  
 CONTACT RATING: 300mA@4VDC.  
 INITIAL CONTACT RESISTANCE, 70 MILLIOHMS MAX.  
 FINAL CONTACT RESISTANCE, 100 MILLIOHMS MAX.  
 INSULATION RESISTANCE: 100 MEGAOHMS MIN.  
 DIELECTRIC STRENGTH: 100 VAC FOR 1 MINUTE.  
 LIFE EXPECTANCY: 10,000 CYCLES.

MECHANICAL:  
 ACTUATION FORCE: 200±100g.  
 ACTUATION TRAVEL, 1.50±0.15  
 LIFE EXPECTANCY, 10,000 CYCLES.

ENVIRONMENTAL:  
 OPERATING TEMPERATURE, -20 TO +85 DEGREES C, -40 TO +85 DEGREES C LIFE EXPECTANCY 1000 CYCLES.  
 STORAGE TEMPERATURE, -40 TO +100 DEGREES C  
 HUMIDITY, MIL-STD-202, METHOD 103, CONDITION B  
 MOISTURE RESISTANCE, MIL-STD-202, METHOD 106  
 THERMAL SHOCK, MIL-STD-202, METHOD 107, CONDITION A  
 SOLDERABILITY, PER EIA-364-52, CLASS 2, CATEGORY 1, 95%MINIMUM COVERAGE  
 RESISTENCE TO SOLDER HEAT, 109-201, CONDITION B

NOTES:

- ALL MATERIALS AND FINISHES SHALL COMPLY WITH EU DIRECTIVE 2002/95/EC OF 27JAN2003(ROHS).



RECOMMENDED FOOTPRINT TOLERANCE ±.002 UNLESS OTHERWISE NOTED

MLL1300S	1437575-3
ALCO P/N	PART NO.

THIS DRAWING IS A CONTROLLED DOCUMENT.		DWN S.KIRCORIAN 31JAN96	Tyco Electronics Corporation Harrisburg, PA 17105-3608	
DIMENSIONS: INCHES [mm]		CHK -	NAME SLIDE SWITCH SP3T R/A LOW PROFILE SMT	
TOLERANCES UNLESS OTHERWISE SPECIFIED:		APVD MLL 02JAN96	SIZE A2	
0 PLC ± -	1 PLC ± -	PRODUCT SPEC	CAGE CODE 00779	DRAWING NO C=1437575-3
2 PLC ± -	3 PLC ± .005[0.13]	APPLICATION SPEC	RESTRICTED TO -	
4 PLC ± -	ANGLES ± 1°	WEIGHT -	SCALE 10:1	SHEET 1 of 1
MATERIAL SEE SPECIFICATIONS	FINISH SEE SPECIFICATIONS	CUSTOMER DRAWING	REV A1	

1437575-3

A