

DO NOT SCALE FROM THIS PRINT

TABLE 1				
LEAD STYLE	TERMINAL	"B"	TUBE (SEE NOTE 9)	PLUG
-01	T-1M6-13-X-2	.230 [5.84]	PT-1-24-01-46	TP-24
-01 (W / PAD OPTION)	T-1M6-13-X-2	.230 [5.84]	PT-1-24-05-29	TP-03
-02	T-1M6-30-X-2	.100 [2.54]	PT-1-24-02-29	TP-24
-02 (W / PAD OPTION)	T-1M6-30-X-2	.100 [2.54]	PT-1-24-05-29	TP-03
-03 (W / PAD OPTION)	T-1M6-04-X-2	.125 [3.18]	PT-1-24-04-15	TP-09
-03 (NO OPTIONS)	T-1M6-04-X-2	.125 [3.18]	PT-1-24-02-29	TP-24
-21	N/A	.230 [5.84]	N/A	N/A
-51	T-1M6-13-X-2	.190 [4.83]	PT-1-24-02-29	TP-24
-52	T-1M6-13-X-2	.205 [5.21]	PT-1-24-10-29	TP-24
-52 (W / PAD OPTION)	T-1M6-13-X-2	.205 [5.21]	PT-1-24-05-29	TP-03
-53	T-1M6-05-X-2	.285 [7.24]	PT-1-24-02-29	TP-24
-54 (6-50 POSITION)	T-1M6-15-X-2	.335 [8.51]	PT-1-24-13-29	TP-24
-54 (5 POSITION)	T-1M6-15-X-2	.335 [8.51]	PT-1-24-10-29	TP-24
-55	T-1M6-16-X-2	.390 [9.91]	PT-1-24-10-29	TP-24
-56	T-1M6-16-X-2	.405 [10.29]	PT-1-24-10-29	TP-24
-57	T-1M6-16-X-2	.430 [10.92]	PT-1-24-03-71	TP-24
-58	N/A	.485 [12.32]	N/A	N/A
-59	N/A	.535 [13.59]	N/A	N/A
-60	N/A	.605 [15.37]	N/A	N/A
-53, -54, -55, -56, -57-60 (W / PAD OPTION)	N/A	N/A	PT-1-24-03-71	TP-09

FTR-1XX-XX-XX-S-XX-XX

No OF POSITIONS
-02 THRU -40

LEAD STYLE
SEE TABLE 1

OPTION
-P: PICK & PLACE PAD (USE PPP-11, SEE FIG 2)
-TR: TAPE & REEL (4 POS MIN)

PLATING SPECIFICATION
(VALUES GIVEN ARE IN MICRO-INCHES)
-G: GOLD, 10 Au / 50 Ni MIN ON CONTACT, 3 Au / 50 Ni MIN ON TAIL
-T: MATTE TIN CONTACT AND TAIL
-S: SELECTIVE, 30 Au / 50 Ni MIN ON CONTACT, MATTE TIN TAIL
-F: FLASH SELECTIVE, 3 Au / 50 Ni MIN ON CONTACT, MATTE TIN TAIL (LEAD STYLE SPEC -01 ONLY)
-SM: SELECTIVE, 30 Au / 50 Ni MIN ON CONTACT, MATTE TIN TAIL
-TM: MATTE TIN CONTACT AND TAIL
-FM: FLASH SELECTIVE, 3 Au / 50 Ni MIN ON CONTACT, MATTE TIN TAIL
-L: LIGHT SELECTIVE, 10 Au / 50 Ni MIN ON CONTACT, MATTE TIN TAIL

ROW SPECIFICATION
-S: SINGLE (USE HTMS-50-S)

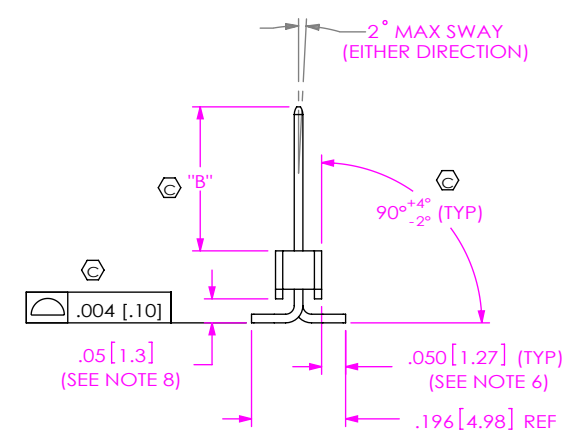
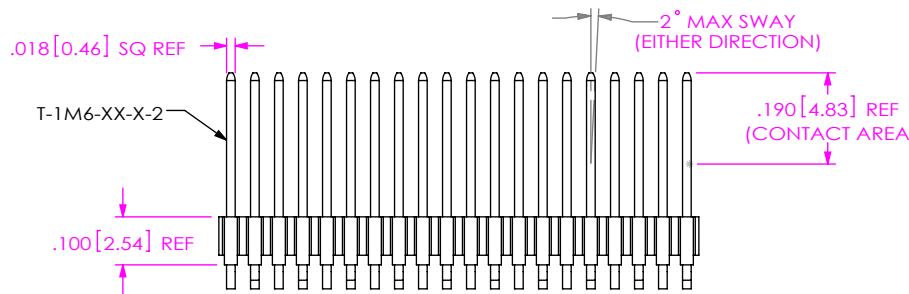
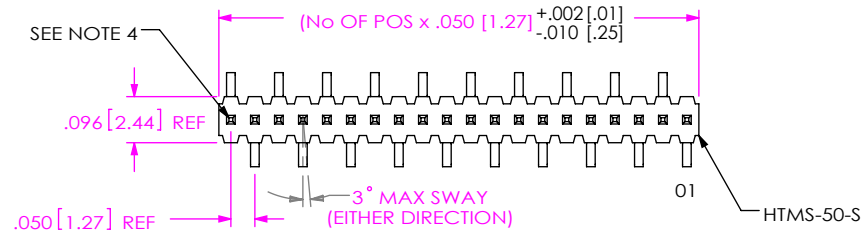
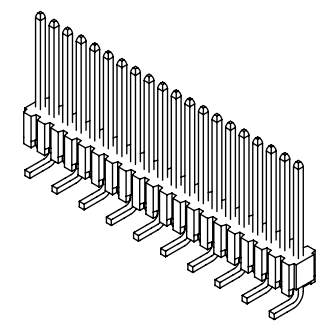


FIG 1
FTR-1XX-XX-X-S SHOWN

* REF FOR OAL PIN LENGTH

TABLE 2	
TERMINAL LENGTH	* "L"
-04	.505 [12.83]
-05	.705 [17.91]
-13	.625 [15.88]
-15	.755 [19.18]
-16	.825 [20.96]

- NOTES:
- ⊕ REPRESENTS A CRITICAL DIMENSION.
 - MAXIMUM CUT FLASH: .010 [.25].
 - MINIMUM PUSHOUT FORCE: 2 LB.
 - MAXIMUM PIN ROTATION IN BODY: 2°.
 - MAXIMUM ALLOWABLE BOW AFTER ASSEMBLY: .005 [0.13] INCH/INCH
 - SHEAR TAILS TO DIMENSION SHOWN.
 - MAXIMUM BURR ALLOWANCE: .003 [0.08]
 - MEASURED AT BEND RADIUS.
 - TUBE POSITIONS -05 THRU -50 ONLY FOR THIS LEAD STYLE.

UNLESS OTHERWISE SPECIFIED, DIMENSIONS ARE IN INCHES.
TOLERANCES ARE:
DECIMALS ANGLES
.XX: ±.01 [.3] 2°
.XXX: ±.005 [.13]
.XXXX: ±.0020 [.051]

PROPRIETARY NOTE
THIS DOCUMENT CONTAINS CONFIDENTIAL AND PROPRIETARY INFORMATION AND ALL DESIGN, MANUFACTURING, REPRODUCTION, USE, PATENT RIGHTS AND SALES RIGHTS ARE EXPRESSLY RESERVED BY SAMTEC, INC. THIS DOCUMENT SHALL NOT BE DISCLOSED, IN WHOLE OR PART, TO ANY UNAUTHORIZED PERSON OR ENTITY NOR REPRODUCED, TRANSFERRED OR INCORPORATED IN ANY OTHER PROJECT IN ANY MANNER WITHOUT THE EXPRESS WRITTEN CONSENT OF SAMTEC, INC.



MATERIAL: DO NOT SCALE DRAWING
INSULATOR: LCP, UL 94 VO
COLOR: BLACK
TERMINAL: PHOS BRONZE

SHEET SCALE: 2.5:1

DESCRIPTION:
HI-TEMP TERMINAL MICRO-STRIP (SINGLE ROW)
DWG. NO.

FTR-1XX-XX-XX-S-XX-XX

BY: BRATCHER 7-10-95 SHEET 1 OF 2

"N" = USE MEASURED DIMENSION
 "Q" = $\{("N" - .400 [10.16]) / 2\} \pm .020 [.51]$

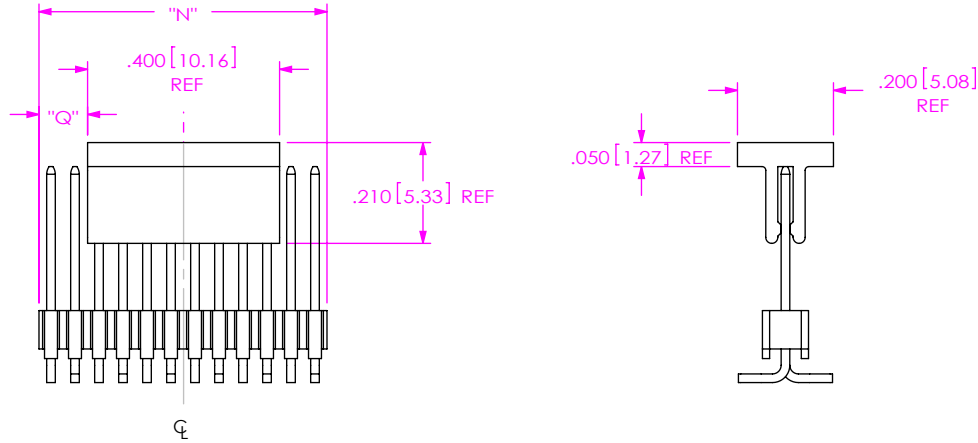


FIG 2

-P: PICK AND PLACE PAD
 AVAILABLE ON 08 - 40 POSITIONS ONLY

PROPRIETARY NOTE
 THIS DOCUMENT CONTAINS CONFIDENTIAL AND PROPRIETARY INFORMATION AND ALL DESIGN, MANUFACTURING, REPRODUCTION, USE, PATENT RIGHTS AND SALES RIGHTS ARE EXPRESSLY RESERVED BY SAMTEC, INC. THIS DOCUMENT SHALL NOT BE DISCLOSED, IN WHOLE OR PART, TO ANY UNAUTHORIZED PERSON OR ENTITY NOR REPRODUCED, TRANSFERRED OR INCORPORATED IN ANY OTHER PROJECT IN ANY MANNER WITHOUT THE EXPRESS WRITTEN CONSENT OF SAMTEC, INC.

DO NOT SCALE DRAWING

SHEET SCALE: 2.5:1



520 PARK EAST BLVD, NEW ALBANY, IN 47150
 PHONE: 812-944-6733 FAX: 812-948-5047
 e-Mail info@SAMTEC.com code 55322

DESCRIPTION:
 HI-TEMP TERMINAL MICRO-STRIP (SINGLE ROW)

DWG. NO.
FTR-1 XX-XX-XX-S-XX-XX

BY: BRATCHER 7-10-95

SHEET 2 OF 2