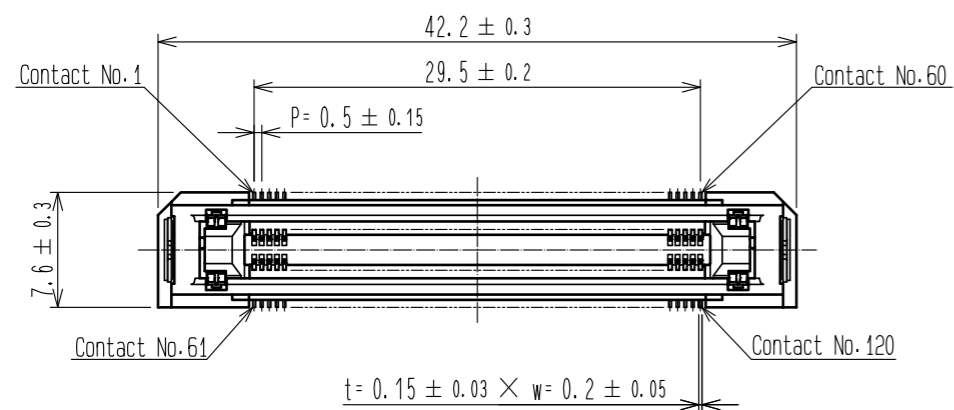
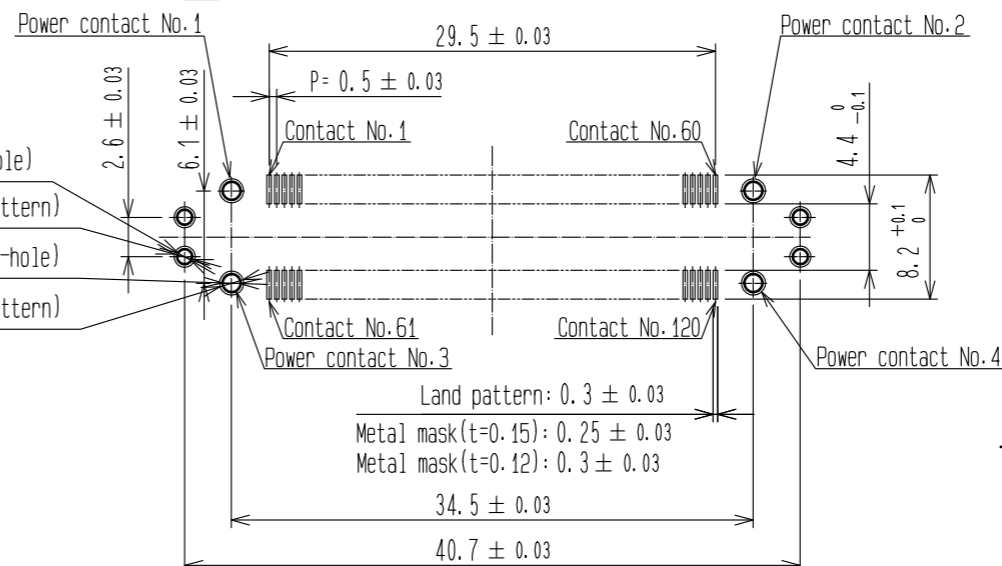


RECOMMENDED LAND PATTERN DIMENSION OF PCB

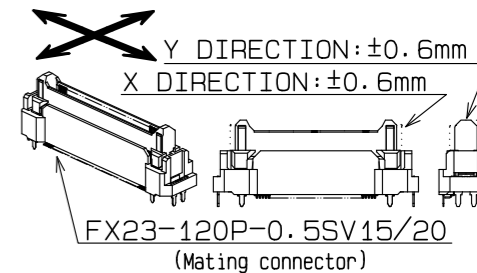
△ (PCB THICKNESS: t=1.6mm)



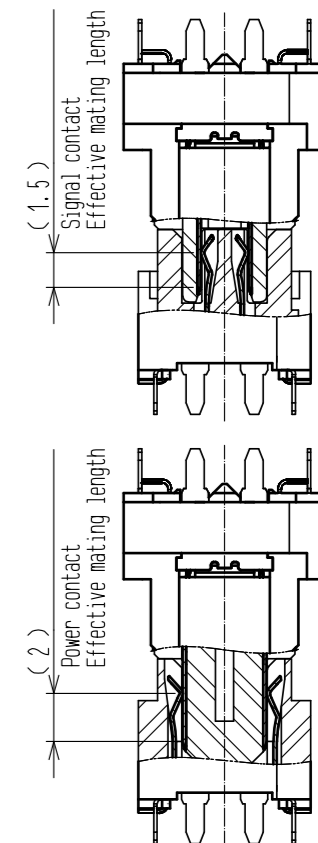
- 4×∅ 1<sup>+0.1</sup><sub>0</sub> (Through-hole)
- 4×∅ 1.4<sup>+0.2</sup><sub>0</sub> (Land pattern)
- 4×∅ 1.2<sup>+0.1</sup><sub>0</sub> (Through-hole)
- 4×∅ 1.6<sup>+0.2</sup><sub>0</sub> (Land pattern)



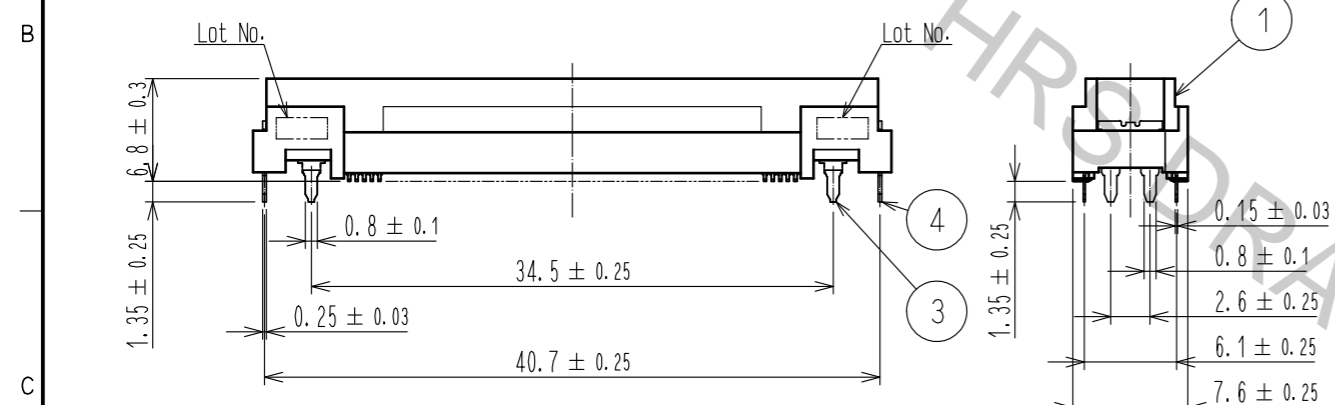
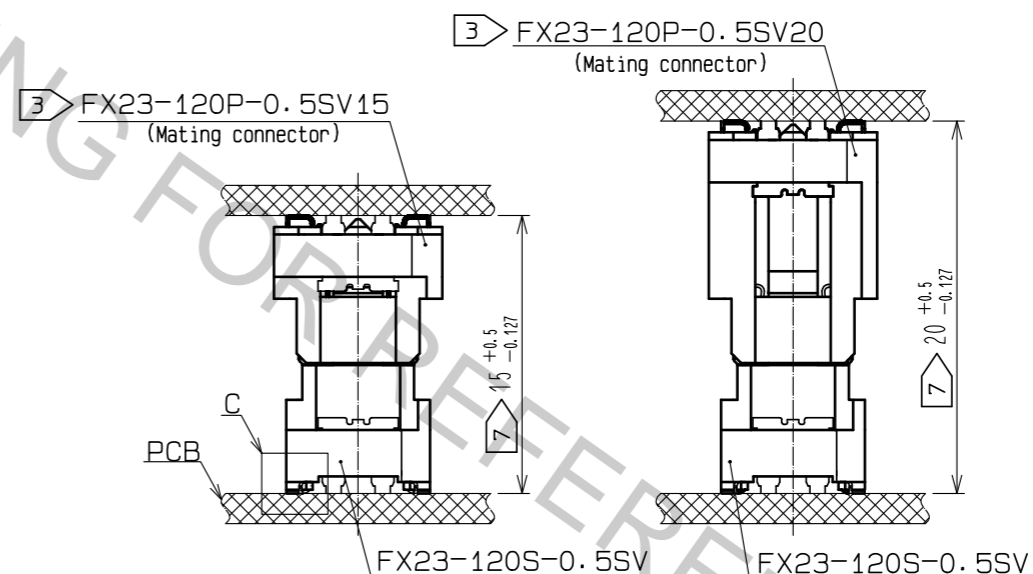
▷ FLOATING RANGE



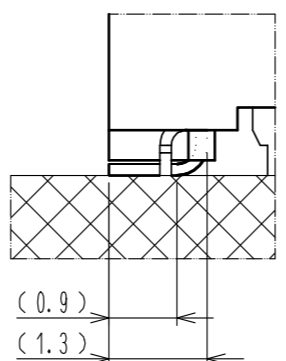
CROSS SECTION OF MATING (No scale)



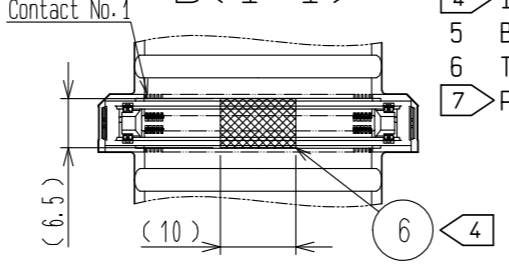
PCB DISTANCE (No scale)



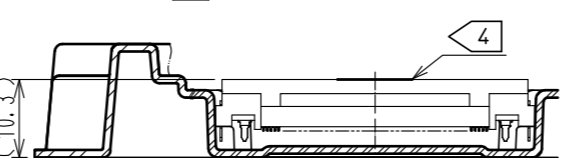
C (10 : 1)



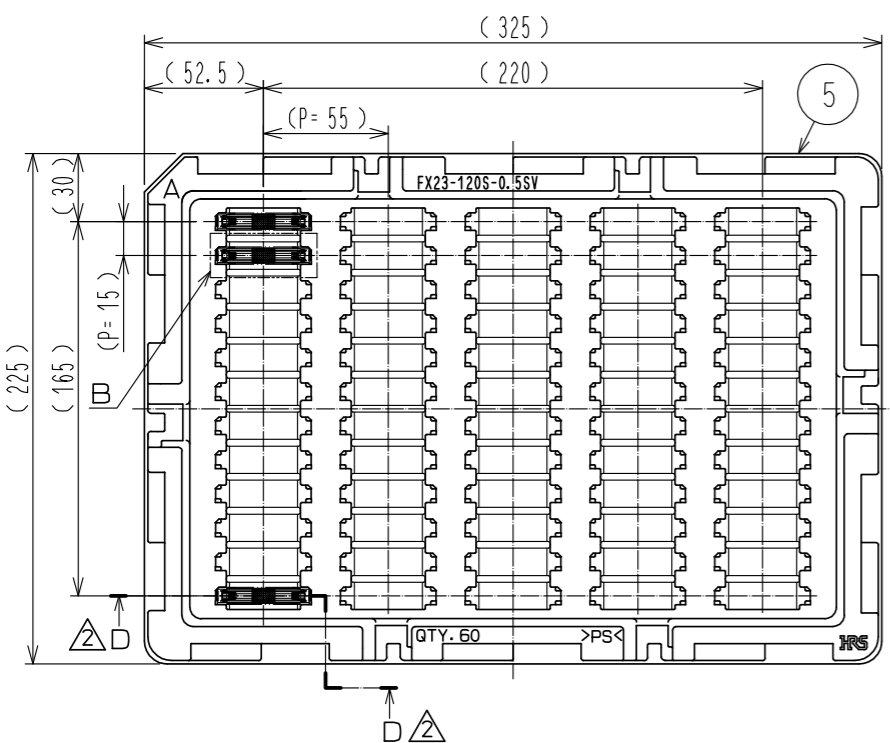
B (1 : 1)



△ D-D (1 : 1)



▷ DRAWING FOR PACKING (No scale)



- 1 Lead CO-Planarity is 0.1mm MAX.
- 2 This is packaged in tray. (60pcs/tray)
- 3 Floating range of this connector is ±0.6mm MAX.
- 4 It shows the vacuum pickup area. Remove the mylar tape before mating connectors.
- 5 Blemish and hit mark can be occurred through out the manufacturing process which doesn't affect quality level.
- 6 The dimensions in parentheses are for references.
- 7 Please use the connectors within the specified PCB distance.

2	COPPER ALLOY	CONTACT AREA: GOLD 0.1 μm	6	POLYIMIDE	(TAPE FOR VACUUM PICKUP)
		LEAD AREA: GOLD 0.03 μm	5	POLYSTYRENE	(TRAY)
		UNDER PLATING: NICKEL 1.3 μm	4	BRASS	LEAD AREA: TIN-PLATING 3 μm
1	LCP	BLACK UL94V-0	3	COPPER ALLOY	CONTACT AREA: GOLD 0.1 μm
					LEAD AREA: TIN-PLATING 1 μm
					UNDER PLATING: NICKEL 1.3 μm
NO.	MATERIAL	FINISH . REMARKS	NO.	MATERIAL	FINISH . REMARKS
UNITS	mm	SCALE 2 : 1	COUNT 3	DESCRIPTION OF REVISIONS	DESIGNED TS.00NO
				DIS-F-00001543	CHECKED KN. SHIBUYA
					DATE 16.08.24
				APPROVED : HS. OKAWA	14.07.22
				CHECKED : KN. SHIBUYA	14.07.22
				DESIGNED : TS.00NO	14.07.22
				DRAWN : TS.00NO	14.07.22
DRAWING NO. EDC3-353556-00			PART NO. FX23-120S-0.5SV		
CODE NO. CL573-3206-3-00			1/1		