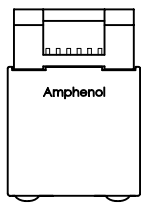
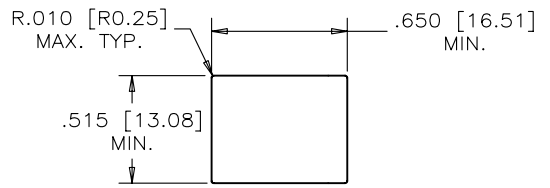


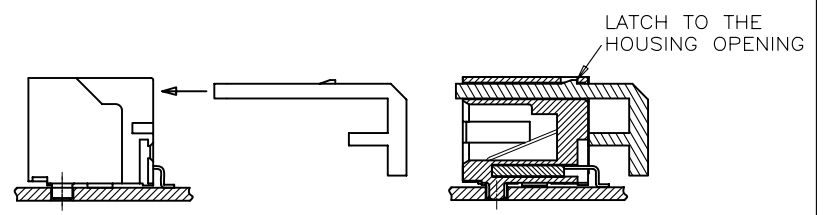
REVISIONS				
SYM	ZONE	ECN, ERN NO.	DATE	APPRD.
A		PER ECN E07248	JUL25/07	L.CHAN



TOP VIEW

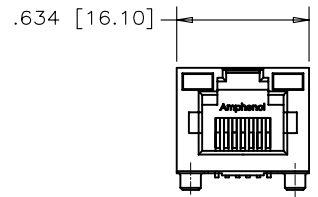


RECOMMENDED PANEL CUTOUT

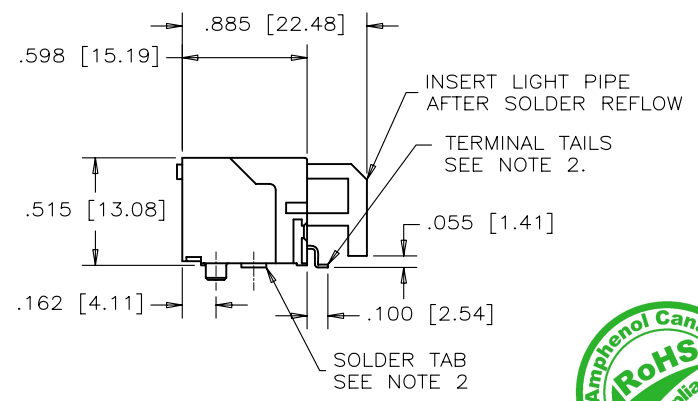


AFTER SOLDER REFLOW, LOAD LIGHT PIPE THROUGH THE CONNECTOR REAR ACCESS IN THE DIRECTION AS SHOWN

DATA CONTROL
RELEASE
DEPT. NO. ---626---
REV. JAN 2007



FRONT VIEW



SIDE VIEW



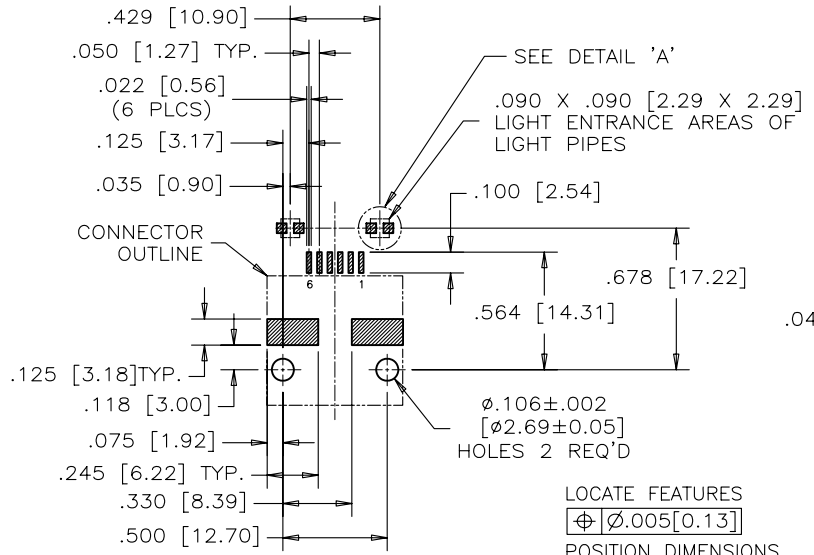
NOTES

1. MATERIAL:

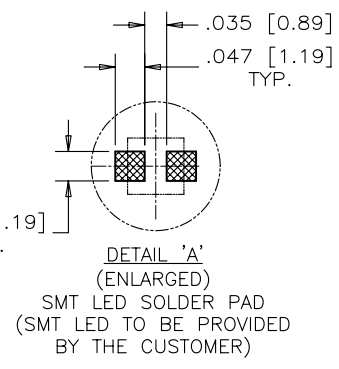
- HOUSING: HIGH TEMPERATURE THERMOPLASTIC
FLAMMABILITY RATING UL 94V-0
COLOR:BLACK
- CONTACTS: PHOSPHOR BRONZE
PLATING: 20 μ" [0.508 MICRONS]
MIN. GOLD ON MATING SURFACES.
50 μ" [1.27 MICRONS]
MIN. NICKEL UNDERPLATE
100 μ" [2.54 MICRONS]
MIN. MATTE OR BRIGHT TIN
ON CONTACT TAILS.
- LIGHT PIPE: CLEAR POLYCARBONATE
FLAMMABILITY RATING UL 94V-0

2. COPLANARITY SPECIFICATION:

WITH THE MODULAR JACK SITTING ON A LEVEL SURFACE, THE MAXIMUM GAP BETWEEN THE LEVEL SURFACE AND ALL TERMINAL TAILS AND BOTH FITTING NAILS IS .004 [0.10].



RECOMMENDED P.C.B. LAYOUT
(COMPONENT SIDE OF BOARD)



DETAIL 'A'
(ENLARGED)
SMT LED SOLDER PAD
(SMT LED TO BE PROVIDED BY THE CUSTOMER)

LOCATE FEATURES
⊕ ⌀.005 [0.13]
POSITION DIMENSIONS ARE BASIC

PART NUMBER: RJSE-7061

MATERIAL -----	DRAWN	J.OUYANG	DATE	JUL25/07	Amphenol Canada Corp.				
	DESIGNED								
FINISH -----	CHECKED	CHIGOW	DATE	JUL25/07	TITLE SURFACE MOUNT, RJ11 6 POSITION, 6 CONTACTS, UNSHIELDED, WITH LIGHT PIPES-ROHS COMPLIANT				
	I. E. APPRD.	JEFFS	DATE	JUL25/07					
	Q. A. APPRD.				DWG	DRAWING NO.	P-RJSSE-7061	REV.	A
	DWG. APPRD.								
	ENG. REL. NO.	E07248							
	REF.	EAR # A070709							
	DIMENSIONS ARE IN	CODE ID. NO.							
	INCHES [mm]	03554			SCALE	NTS	WT.	SURF.	SHEET 1 OF 1

THIS DOCUMENT CONTAINS PROPRIETARY INFORMATION AND SUCH INFORMATION MAY NOT BE DISCLOSED TO OTHERS FOR ANY PURPOSE OR USED FOR MANUFACTURING PURPOSES WITHOUT WRITTEN PERMISSION FROM AMPHENOL CANADA CORP.