

molex SALES PACKAGING SPECIFICATION

LANGUAGE

JAPANESE
ENGLISH

1. 製品名称 / PRODUCT NAME : 1.5 WIRE TO BOARD CONN. REC HOUSING

製品番号 / PART NUMBER : 5 0 4 0 5 1 - * * 0 1

(* * は極数を示す)

(* * IS CIRCUITS SIZE)

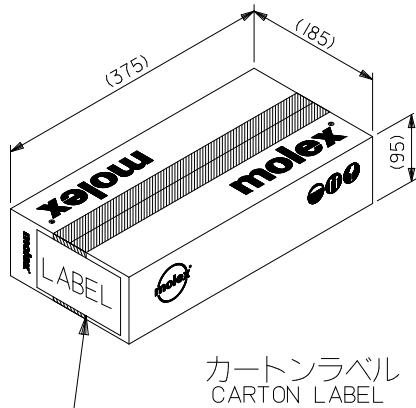
2. 標準梱包数 / STANDARD PACKAGING QUANTITY

極 数 CKT. SIZE	ポリ袋 POLY BAG	内装カートン PRIMARY CARTON		外装カートン SHIPPING CARTON
	1袋中の製品数 QUANTITY IN ONE BAG	ポリ袋の数 NUMBER OF POLY BAG	製品数 QUANTITY	製品数(内装カートン×4) QUANTITY (PRIMARY CARTON X4)
4	1,000	16	16,000	64,000
5	1,000	14	14,000	56,000
6	1,000	12	12,000	48,000
7	1,000	11	11,000	44,000
8	1,000	11	11,000	44,000
10	1,000	10	10,000	40,000
12	1,000	10	10,000	40,000

REV.	C						
SHEET	1~2						
REVISE ON PC ONLY				TITLE:			
C	REVISED J2015-1443 2015/04/27 Y.TOKUZONO			5 0 4 0 5 1 梱包仕様書 SALES PACKAGING SPEC. FOR 504051			
	THIS DOCUMENT CONTAINS INFORMATION THAT IS PROPRIETARY TO MOLEX INC. AND SHOULD NOT BE USED WITHOUT WRITTEN PERMISSION						
REV.	DESCRIPTION			WRITTEN BY: Y.TOKUZONO	CHECKED BY: T.HARUYAMA	APPROVED BY: H.HIRATA	DATE: YR/MO/DAY 2013/05/21
DESIGN CONTROL J		STATUS					

DOCUMENT NUMBER SPK-504051-001	FILE NAME SPK504051001.docx	SHEET 1 OF 2
--	--------------------------------	-----------------

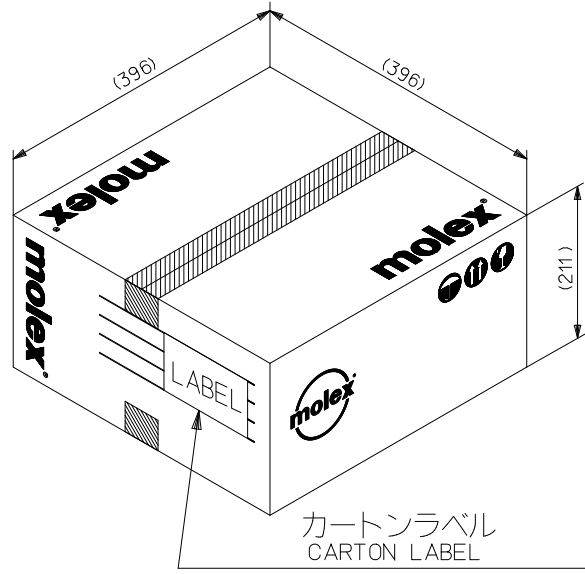
3. カートン外形参考寸法 / CARTON OUTER DIMENSIONS (REFERENCE PURPOSE ONLY) 単位 / UNIT: mm



カートンラベル
CARTON LABEL

(製品型番, 数量, ロットNO. 表示)
INDICATION OF PART No., QUANTITY, LOT No.

内装カートン
PRIMARY CARTON



カートンラベル
CARTON LABEL

(製品型番, 数量, ロットNO. 表示)
INDICATION OF PART No., QUANTITY, LOT No.

外装カートン
SHIPPING CARTON

REVISE ON PC ONLY		TITLE:	
C	SEE SHEET 1 OF 2	5 0 4 0 5 1 梱包仕様書 SALES PACKAGING SPEC. FOR 504051	
	REV.	DESCRIPTION	THIS DOCUMENT CONTAINS INFORMATION THAT IS PROPRIETARY TO MOLEX INC. AND SHOULD NOT BE USED WITHOUT WRITTEN PERMISSION
DOCUMENT NUMBER SPK-504051-001		FILE NAME SPK504051001.docx	SHEET 2 OF 2
EN-037(2013-04 rev.1)			