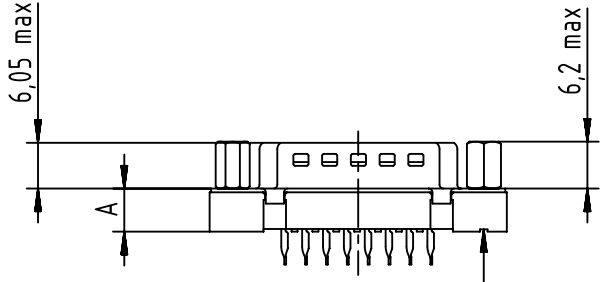


A

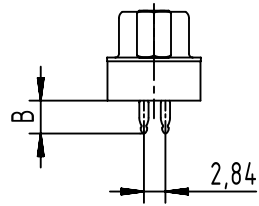
B

C

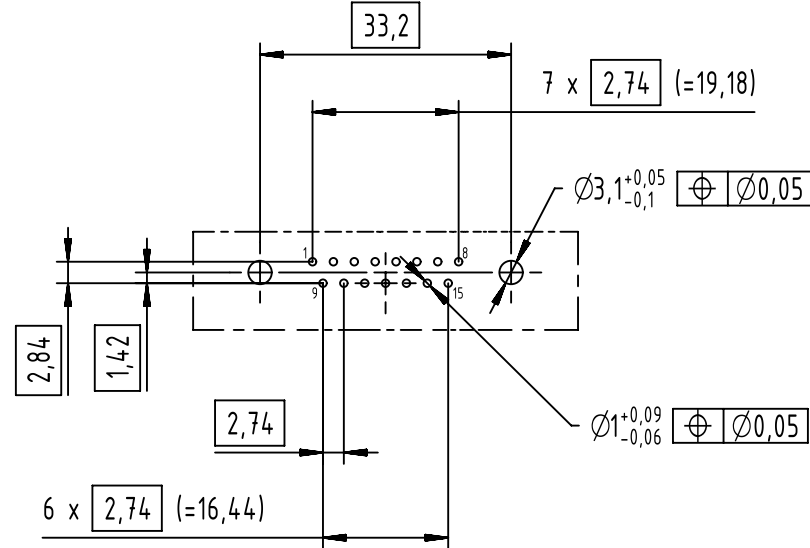
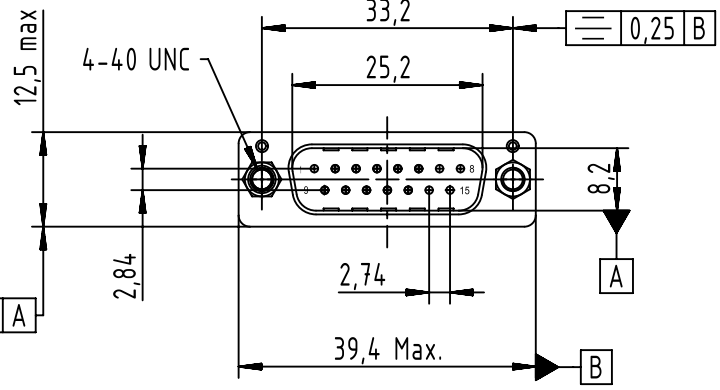
D



Mark for A=5,7 mm version



PC-Board layout
view component side
thickness up to 3,2 mm



09662247707	3	5,7	4,35
09662246707	2	5,7	4,35
09662245707	S4 PdNi	5,7	4,35
Part number	Performance level	A +/- 0,2	B +/- 0,2

	All rights reserved	Created by DOUGE	Inspected by BAGDIKIAN	Standardisation HOFFMANN	Date 2014-04-04	State Final Release	
	Department EC PD - FR	Title D-Sub 15-pole male straight press-in				Doc-Key / ECM-Nr. 100570803/UGD/001/A 500000072353	
HARTING Electronics GmbH		Type TB	Number 0966224X707			Rev. A	Page 1/1
D-32339 Espelkamp							