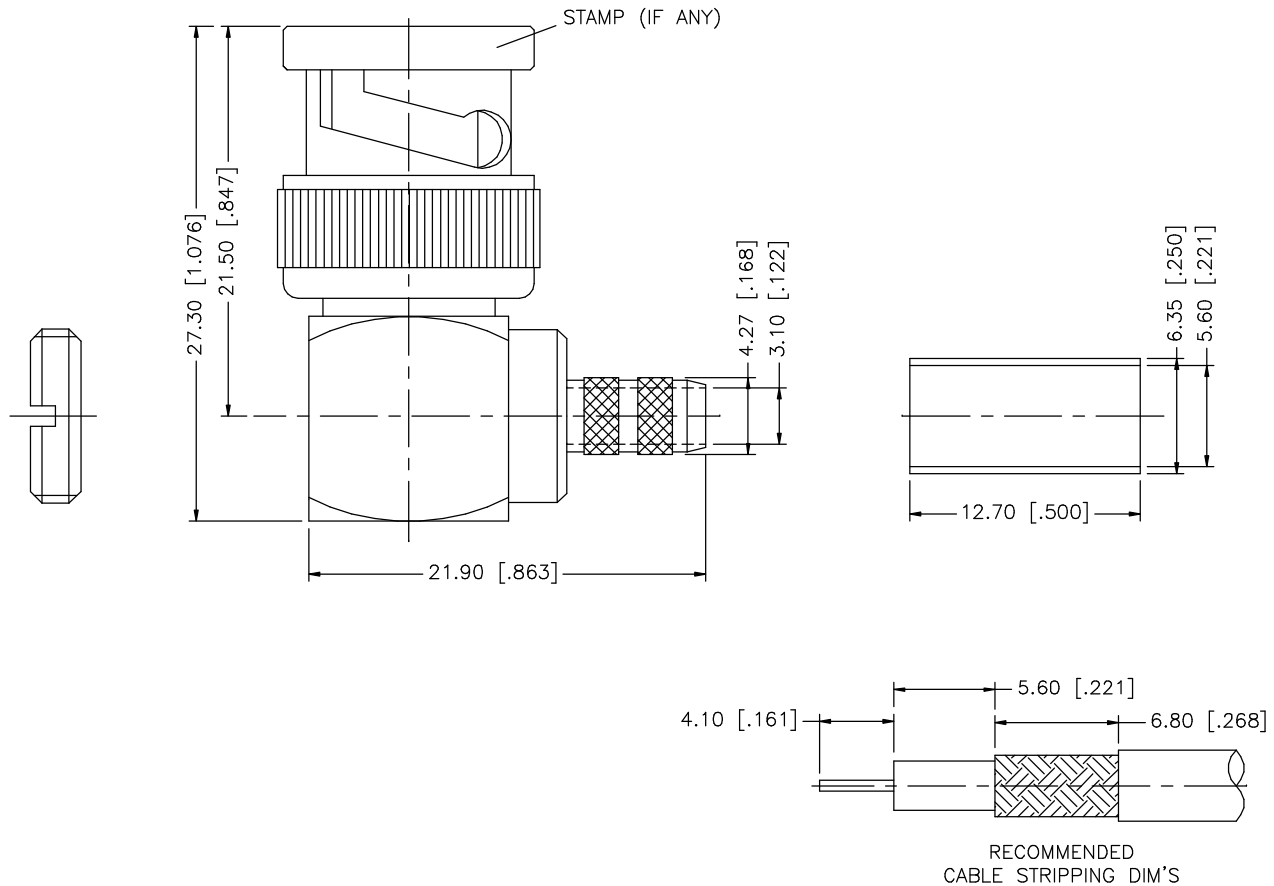


REV.	DATE	DESCRIPTION
A	06/05/03	UPDATE DRAWING FORMAT



8					UNLESS OTHERWISE SPECIFIED DIMENSIONS ARE IN MILLIMETERS. DIMENSIONS IN [] ARE IN INCHES AND FOR CUSTOMER REFERENCE ONLY.	APPROVALS	DATE	Amphenol Connex							
7						DRAWN	G.R.S.					06/05/03			
6					UNLESS OTHERWISE SPECIFIED TOLERANCES FOR MILLIMETERS ARE: 0.5 - 8mm ± 0.20mm 8 - 30mm ± 0.40mm 30 - 120mm ± 0.50mm UNLESS OTHERWISE SPECIFIED TOLERANCES FOR INCHES ARE: .020 - .315 = ± 0.007" .315 - 1.180 = ± 0.015" 1.180 - 4.724 = ± 0.020"	CHECKED		PART DESCRIPTION							
5	NUT	BRASS	NICKEL	1		ISSUED			BNC R/A CRIMP PLUG (FOR RG-223/U, 55/U, 142A/U, 400/U)						
4	FERRULE	COPPER	NICKEL	1		SHEET	1 OF 1		PART NO.						
3	CONTACT PIN	BRASS	GOLD	1				112526							
2	INSULATOR	DELIRIN	NATURAL	1											
1	SHELL/BODY	BRASS	NICKEL	1											
	DESCRIPTION	MATERIAL	FINISH	QTY	DO NOT SCALE DRAWING	CAD FILE	C:/112/112526.DWG	DWG. NO.	112526.DWG	REV.	A	SIZE	A	SCALE	NA