

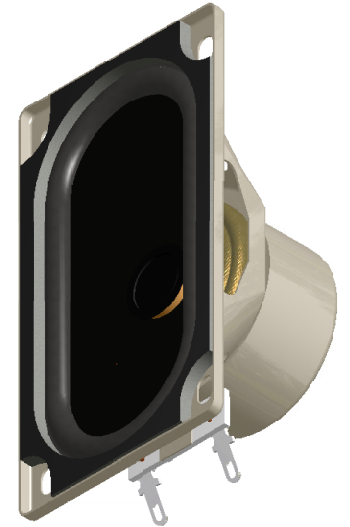
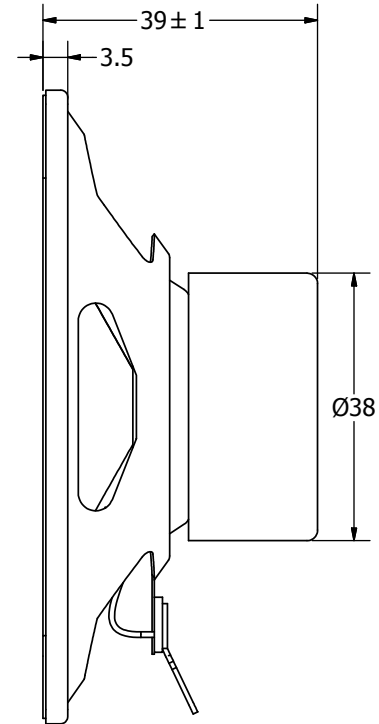
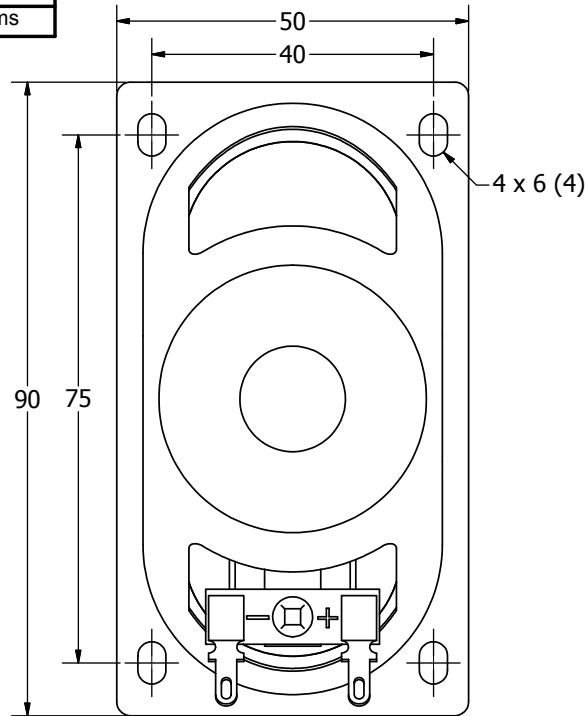
# SPECIFICATIONS

| PARAMETERS  | VALUES       | UNITS |
|---|--------------|-------|
| RATED INPUT POWER                                   | 5            | W     |
| MAX INPUT POWER                                     | 8            | W     |
| IMPEDANCE   | 8 ± 15%      | OHM   |
| OUTPUT SPL @ 1W/0.5M<br>(AT 0.6, 0.8, 1.0, 1.2 kHz) | 86 ± 3       | dBA   |
| DISTORTION (MAX.)                                   | 5%           | -     |
| RESONANT FREQUENCY                                  | 240 ± 20%    | Hz    |
| FREQUENCY RANGE                                     | 240 ~ 18,000 | Hz    |
| HOUSING MATERIAL                                    | METAL        | -     |
| CONE MATERIAL                                       | PAPER        | -     |
| MAGNET MATERIAL                                     | FERRITE      | -     |
| OPERATING TEMPERATURE                               | -25 ~ +70    | °C    |
| WEIGHT  | 128.44       | grams |

THIS DOCUMENT CONTAINS DATA PROPRIETARY TO PROJECTS UNLIMITED, INC. ANY USE OR REPRODUCTION, IN ANY FORM, WITHOUT PRIOR WRITTEN PERMISSION OF PROJECTS UNLIMITED, INC. IS PROHIBITED.  
©2003, Projects Unlimited Inc.


# REVISION HISTORY

| LTR | DESCRIPTION                              | DATE       | APPROVED |
|-----|--|------------|----------|
| -   | RELEASED FROM ENGINEERING                | 8/16/2005  |          |
| A   | REVISED MAGNET DIAMETER                  | 12/19/2007 | R.W.     |
| B   | REVISED HEIGHT & HOLE DIMENSIONS         | 1/29/2009  | B.R.     |
| C   | REVISED TO INVENTOR 3-D DRAWING TEMPLATE | 1/29/2009  | B.R.     |
| D   | REVISED OPERATING TEMPERATURE            | 2/9/2012   | C.W.     |



### NOTES:

1. ALL DIMENSIONS ARE IN MILLIMETERS.
2. SPECIFICATIONS SUBJECT TO CHANGE OR WITHDRAWAL WITHOUT NOTICE.
3. THIS PART IS RoHS 2002/95/EC COMPLIANT.

|  |                   |   |           |            |  |             |           |            |
|--|-------------------|---|-----------|------------|--|-------------|-----------|------------|
| UNLESS OTHERWISE SPECIFIED:<br>DIMENSIONS ARE IN MILLIMETERS,<br>TOLERANCES ARE ±0.5 AND ANGLES ARE ±3°. | SIZE              | Designed by   | Date      | Checked by | Date                                   | Approved by | Date      | Drawn Date |
|  | A3                | J.A.F.  | 8/16/2005 | B.R.       | 8/16/2005                              | E.P.        | 8/16/2005 | 1/29/2009  |
|  | AS09008PO-2-R.idw |  <b>pui audio</b><br><small>a projects unlimited company</small> |           |            | <b>AS09008PO-2-R</b><br><b>Speaker</b> |             | Edition   | Sheet      |
|  |                   |   |           |            |  | -           | 1 / 1     |            |