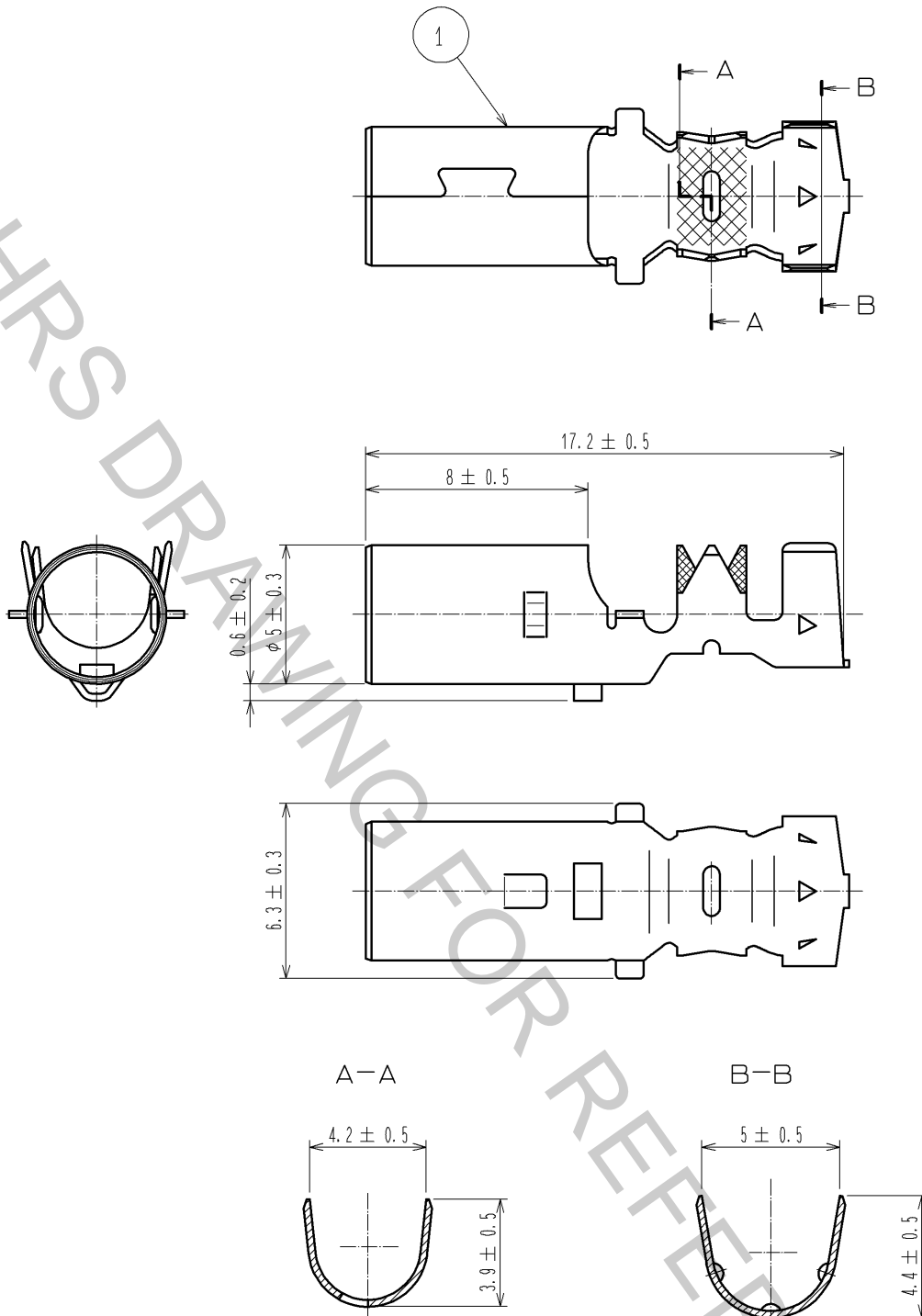


ELV. RoHS COMPLIANT



1	PHOSPHOR BRONZE	TIN PLATED , T=0.25						
NO.	MATERIAL	FINISH ,	REMARKS	NO.	MATERIAL	FINISH ,	REMARKS	
UNITS mm		SCALE 4 : 1	COUNT 	DESCRIPTION OF REVISIONS		DESIGNED	CHECKED	DATE
<b>HRS</b> HIROSE ELECTRIC CO., LTD.	APPROVED : AR. SHIRAI	10.03.09	DRAWING NO.	EDC4-165986-00				
	CHECKED : NH. NAKATA	10.03.09	PART NO.	GT16G-1.6-2.9SC				
	DESIGNED : TK. SHISHIKURA	10.03.08	CODE NO.	CL766-0024-8-00				
	DRAWN : TK. SHISHIKURA	10.03.08						