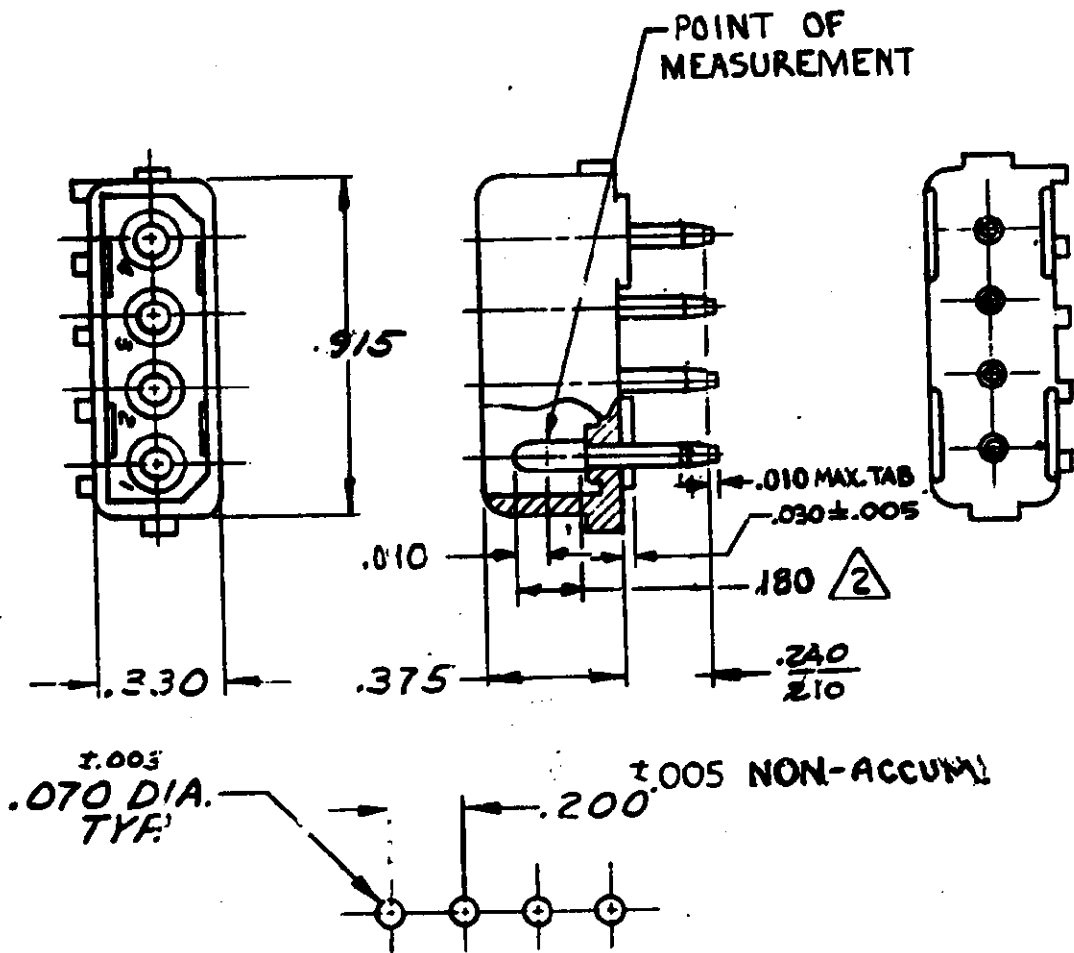


S



RECOMMENDED LAYOUT FOR
.125 THICK P.C. BOARD

1. PARTS COMPLY WITH AMP SOLDERABILITY

SPEC. NO. 109-11-3

2 CONTACT IS PLATED OVERALL WITH .000050 NICKEL, THEN .000030 GOLD OVER CONTACT LENGTH INDICATED AND MATTE TIN ON SOLDER TAIL END.

9-350424-2	NYLON-BLACK	COPPER ALLOY-GOLD	2
8-350424-2	-GRAY	-	-
7-350424-2	-VIOLET	-	-
6-350424-2	-BLUE	-	-
5-350424-2	-GREEN	-	-
4-350424-2	-YELLOW	-	-
3-350424-2	-ORANGE	-	-
2-350424-2	-RED	-	-
1-350424-2	-BROWN	-	-
350424-2	-NATURAL	-GOLD	2
9-350424-1	-BLACK	-PRE-TIN	-
8-350424-1	-GRAY	-	-
7-350424-1	-VIOLET	-	-
6-350424-1	-BLUE	-	-
5-350424-1	-GREEN	-	-
4-350424-1	-YELLOW	-	-
3-350424-1	-ORANGE	-	-
2-350424-1	-RED	-	-
1-350424-1	-BROWN	-	-
350424-1	NYLON-NATURAL	COPPER ALLOY-PRE-TIN	-

ASSEMBLY NO. HSG. MATL & COLOR. PIN MATL & FINISH

K1	RESTORED	RS	1/10/85
K	REV. PER M-7375	SS	1/22/85
J	REWORKS REF M-7255	MS	2/11/85
I	REV. 1576 2 -6694	MSF	2/20/85
G	REV. PIN LENGTH M-5334	MSF	5/24/85
F	REVISED M-4161	MSF	3/7/85
E	ECN M-3871	MSF	7/16/85
D	ECN M-3452	MSF	7/16/85
C	ECN M-3156	MSF	7/16/85
B	.915 WAS .515 MISCO	MSF	7/16/85
A	REDRAW ADDED COLORS	MSF	6/16/85
LTR	REVISION RECORD	OR	DATE

NUMBER	REQUIRED PER ASSEMBLY
350424	
DESCRIPTION	

© 1973 BY AMP INCORPORATED. ALL RIGHTS RESERVED.
AMP PRODUCTS COVERED BY PATENTS AND/OR PATENTS PENDING.

9. 6-27-73
6-78-73

MATERIAL AND FINISH
SEE TABLE

WIRE - RANGE - INSULATION
TYPE

TOLENANCE EXCEPT AS NOTED
SCALE
LTV NO
CM B NO 350424 K1

NAME 4 CIRCUIT MATE-N-LOK P.C. BOARD PIN HEADER

DIMENSIONS IN INCHES. DO NOT SCALE PRINT.