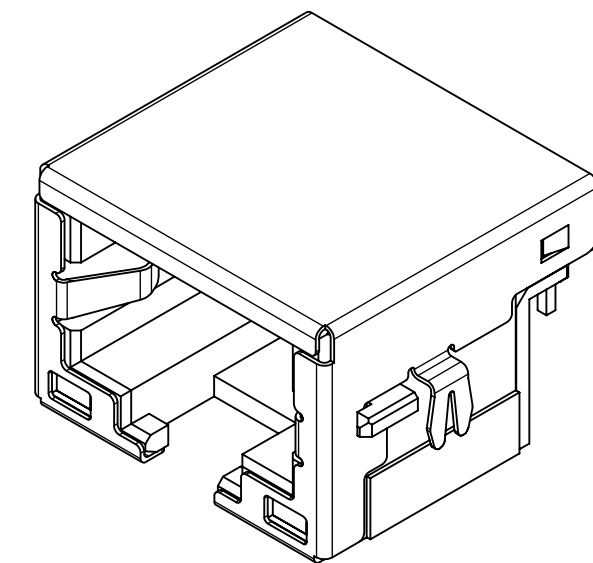
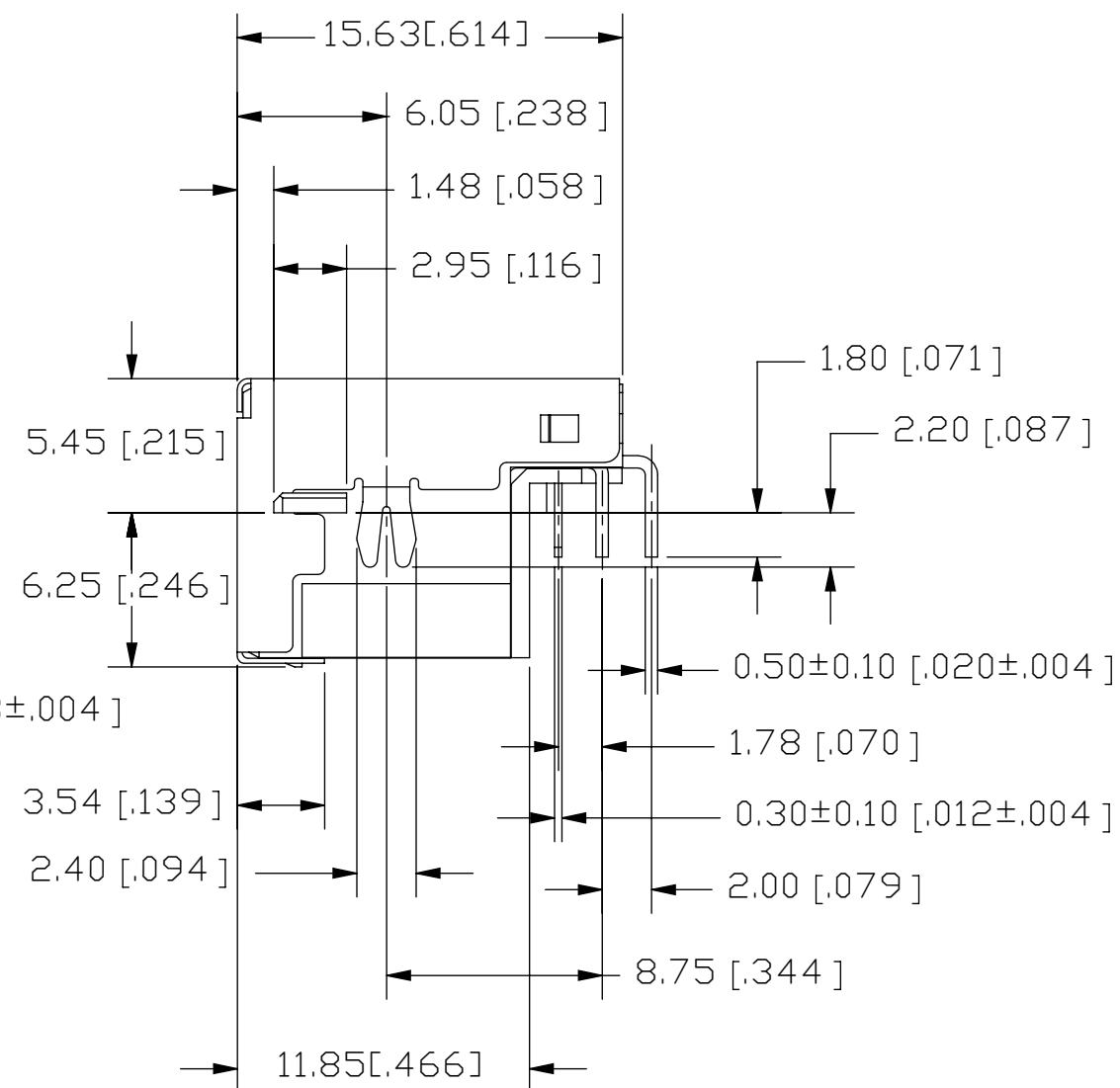
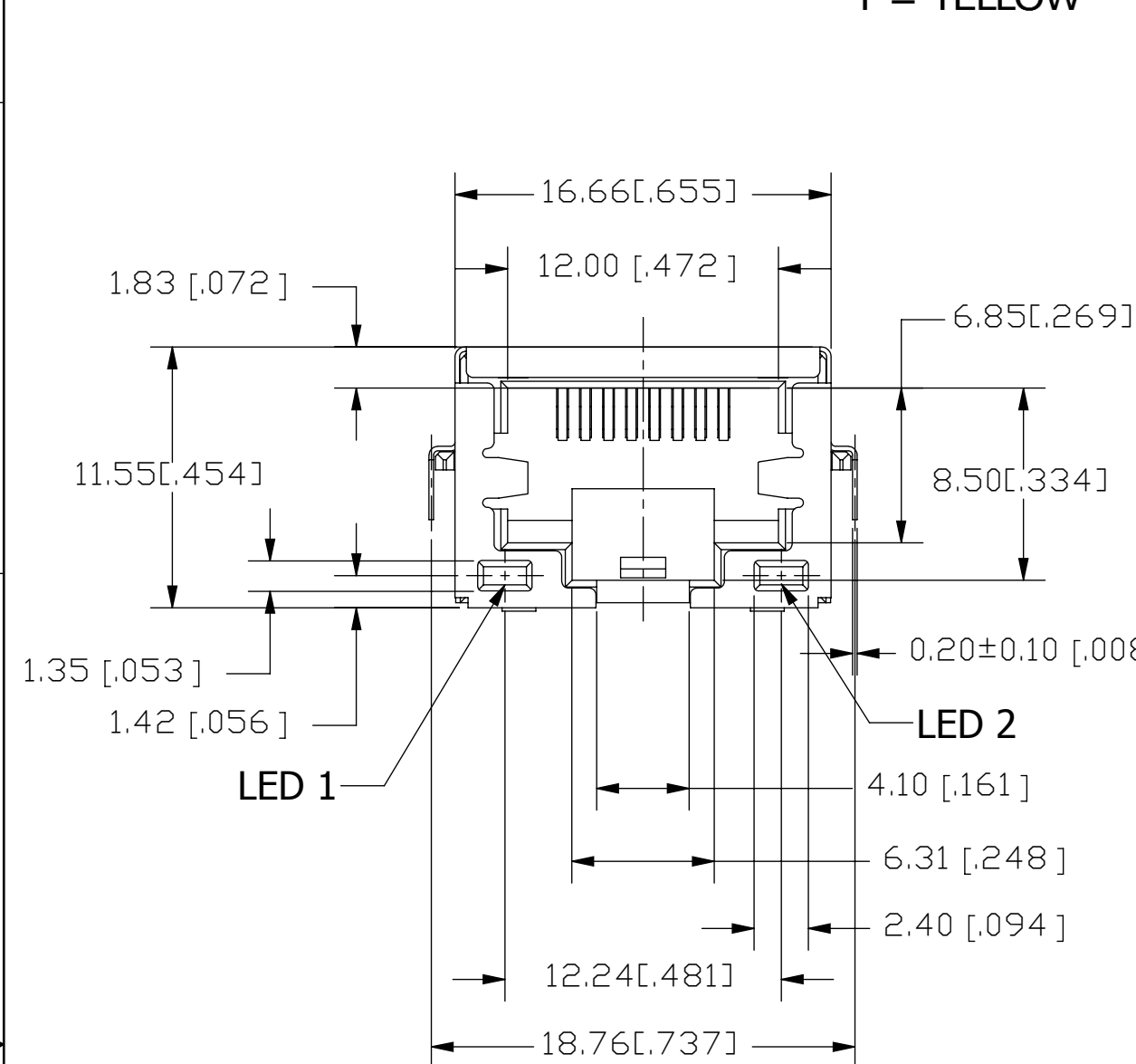


PART NUMBER CODING SMJ401-S88W-DS-01Y

LED COLOR

O = ORANGE
G = GREEN
Y = YELLOW



NOTES:

1. MATERIAL:

- 1.1 HOUSING/COVER: PA6T WITH 30% GF, UL94 V-0, COLOR: BLACK.
- 1.2 CONTACT: PHOSPHOR BRONZE.
- 1.3 SHELL: BRASS
- 1.4 LED: EPOXY

2. FINISH:

- 2.1 CONTACT: .000050" MIN NICKEL UNDERPLATED, GOLD FLASH ON CONTACT SURFACE, .000100" PURE TIN, MATTE ON TERMINATION.
- 2.2 SHELL: .000050" MIN NICKEL UNDERPLATED.
- 2.3 LED: .000050" MIN NICKEL UNDERPLATED, .000100" PURE TIN, MATTE ON TERMINATION.

3. LED CHARACTERISTICS:

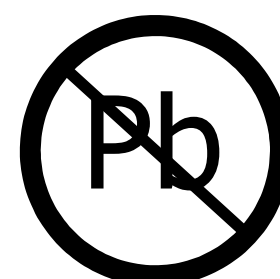
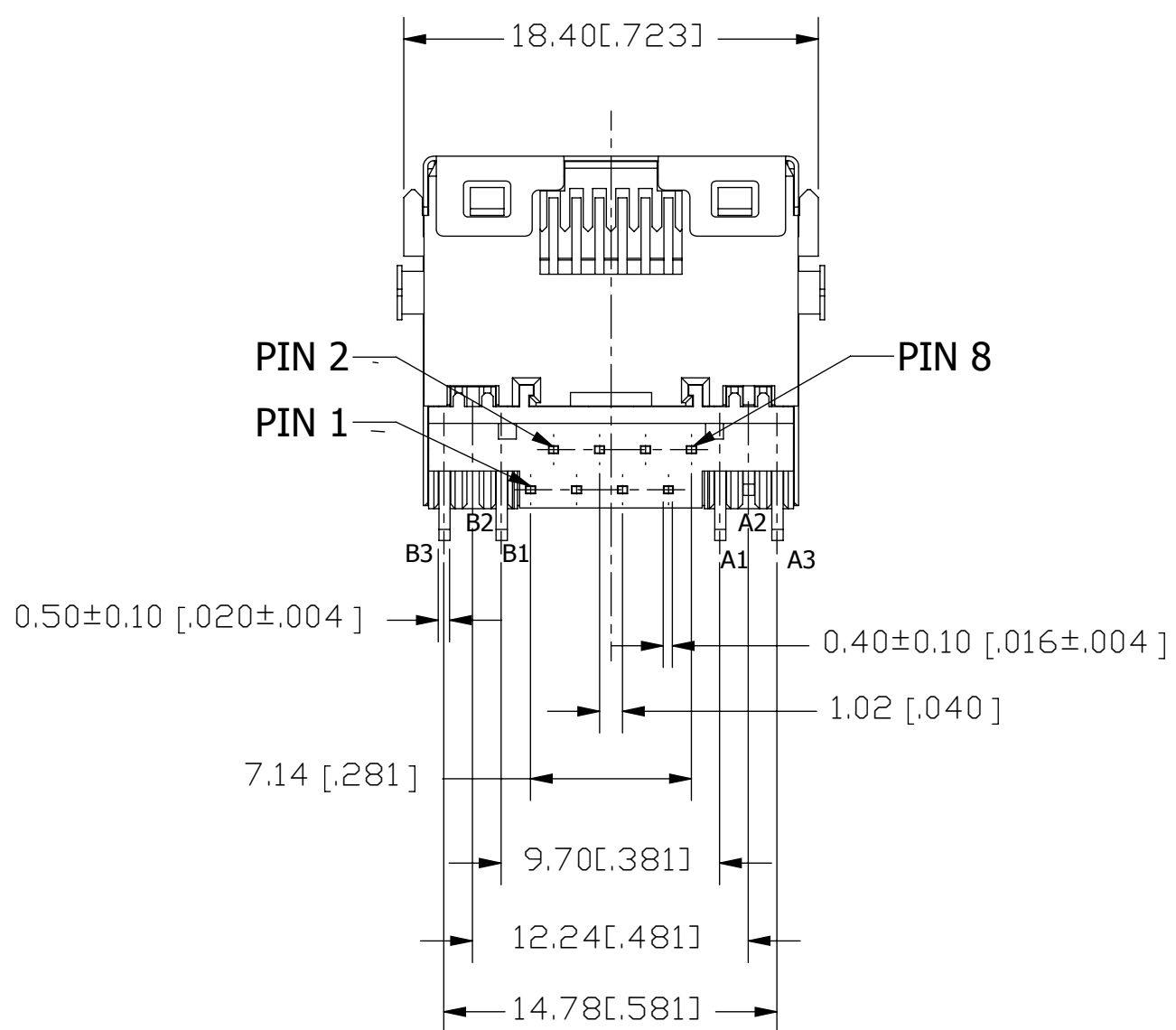
- 3.1 POWER DISSIPATION: 60mW MAX.
- 3.2 FORWARD CURRENT: 30mW MAX.
- 3.3 FORWARD VOLTAGE: 2.2 VOLTS TYPICAL.
- 3.4 REVERSE VOLTAGE: 5.0 VOLTS TYPICAL.
- 3.5 PERK EMISSION WAVELENGTH: GREEN LED: 560~580nm TYPICAL.
YELLOW LED: 580~600nm TYPICAL.
ORANGE LED: 595~615nm TYPICAL.

4. LOW HALOGEN SPEC:

- CHLORINE(Cl): 900ppm MAX.
- BROMINE(Br): 900ppm MAX.

LED ELECTRICAL CHARACTERISTIC		
NODE(LED 2)	COLOR	
A1(-)	A2(+)	ORANGE
A3(-)	A2(+)	GREEN
A1(-) & A3(-)	A2(+)	YELLOW

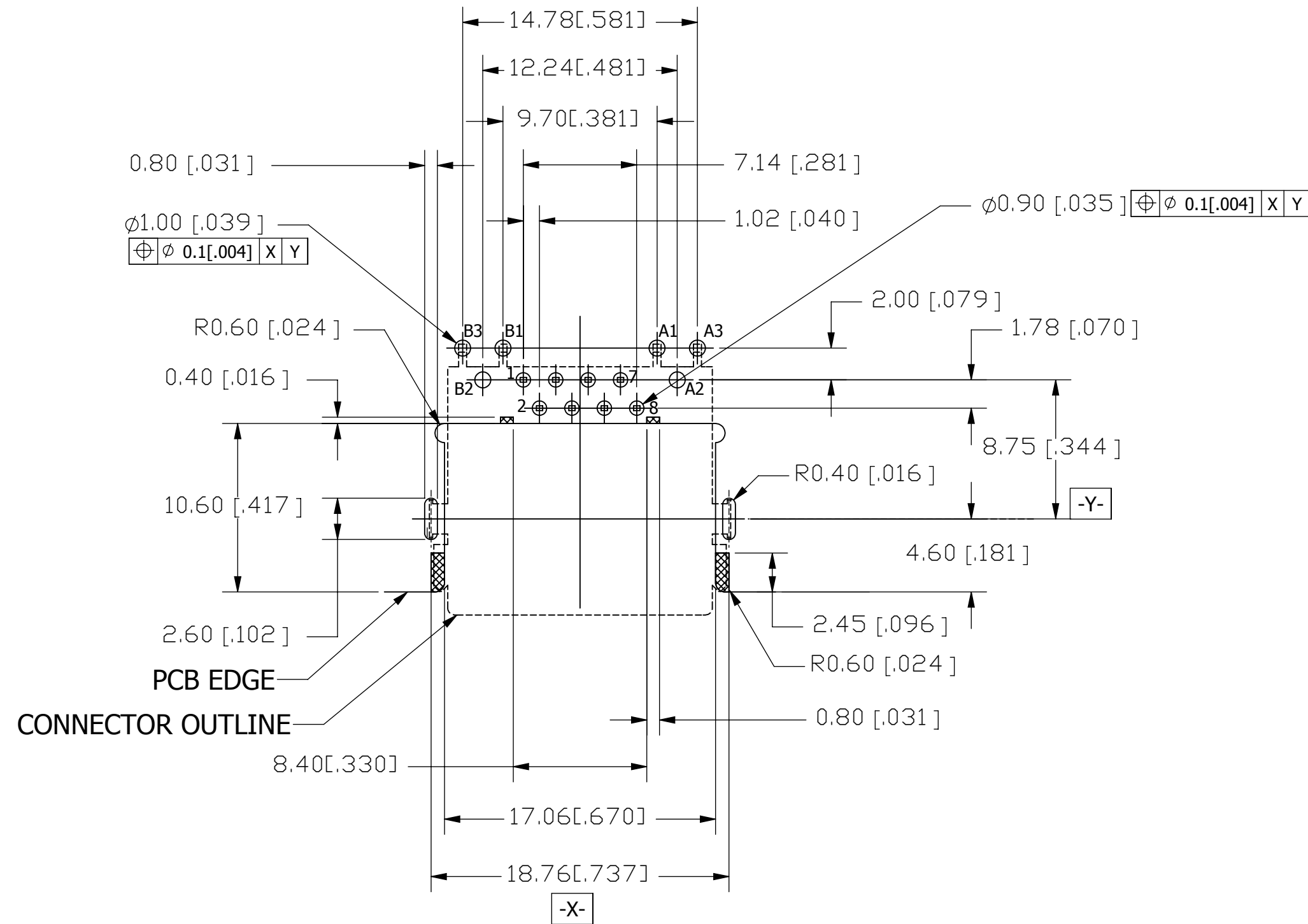
LED ELECTRICAL CHARACTERISTIC		
NODE(LED 1)	COLOR	
B1(+)	B3(-)	YELLOW
B2 : UNUSED		



RoHS COMPLIANT

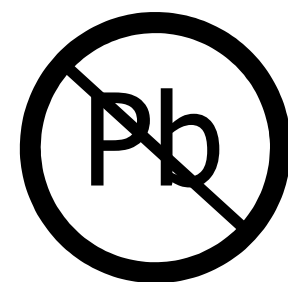
UNLESS OTHERWISE SPECIFIED: DIMENSIONS ARE IN MM[INCHES]	DRAWN	DATE	NAME	
		08/02/2011	LH	
TOLERANCES: ANGULAR: .X=± .25 [.01] .XX=± .15 [.006] .XXX=± .100 [.0040]	THE INFORMATION HEREIN CONTAINS PROPRIETARY INFORMATION OF SULLINS ELECTRONICS AND IS NOT TO BE REPRODUCED, USED OR DISCLOSED TO OTHERS FOR ANY PURPOSE EXCEPT AS SPECIFICALLY AUTHORIZED IN WRITING BY AN OFFICER OF SULLINS ELECTRONICS.			TITLE
	INTERPRET DIMENSIONS AND TOLERANCING PER: ASME Y14.5M-2009			RJ45 WITHOUT TRANSFORMER/LED, RA, 8P8C
PART NUMBER				SMJ401-S88W-DS-01Y_
SIZE	CAGE CODE	DWG. NO.	REV	
C	54453	11823	A	
SCALE: 2:1			SHEET 1 OF 2	

REVISIONS				
REV.	ECO. NO	DESCRIPTION	DATE	BY
A	2406	INITIAL RELEASE	08/02/2011	LH



RECOMMENDED PCB LAYOUT
TOLERANCE: ± 0.05 [.002]

KEEP OUT AREA



RoHS COMPLIANT

UNLESS OTHERWISE SPECIFIED: DIMENSIONS ARE IN MM[INCHES]	DRAWN	DATE	NAME	
		08/02/2011	LH	
TOLERANCES: ANGULAR: .X=± .25 [.01] .XX=± .15 [.006] .XXX=± .100 [.0040]	<small>THE INFORMATION HEREIN CONTAINS PROPRIETARY INFORMATION OF SULLINS ELECTRONICS AND IS NOT TO BE REPRODUCED, USED OR DISCLOSED TO OTHERS FOR ANY PURPOSE EXCEPT AS SPECIFICALLY AUTHORIZED IN WRITING BY AN OFFICER OF SULLINS ELECTRONICS.</small>			TITLE
	<small>INTERPRET DIMENSIONS AND TOLERANCING PER: ASME Y14.5M-2009</small>			RJ45 WITHOUT TRANSFORMER/LED, RA, 8P8C
PART NUMBER				SMJ401-S88W-DS-01Y_
SIZE	CAGE CODE	DWG. NO.	REV	
C	54453	11823	A	
SCALE: 3.3:1			SHEET 2 OF 2	