

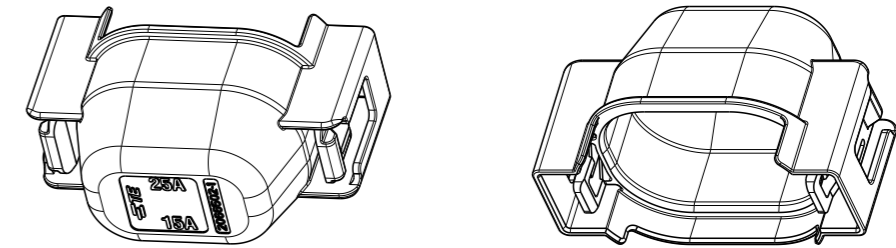
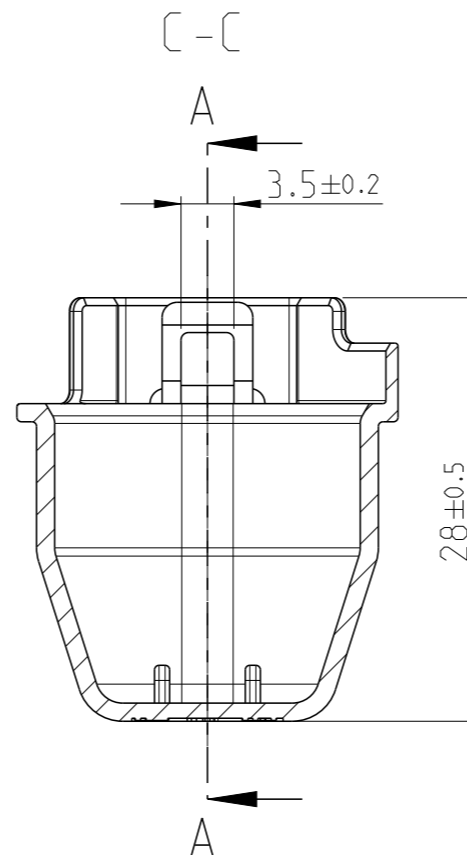
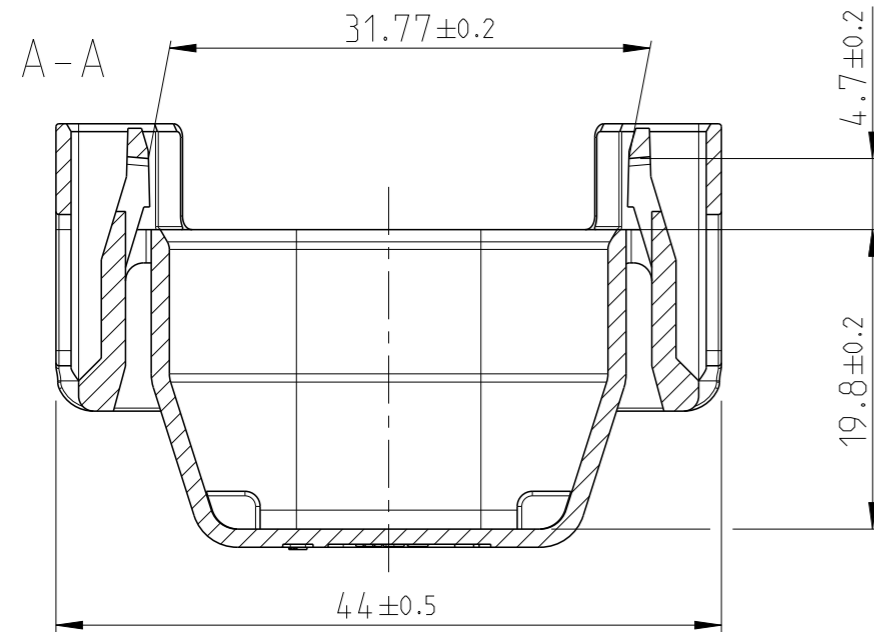
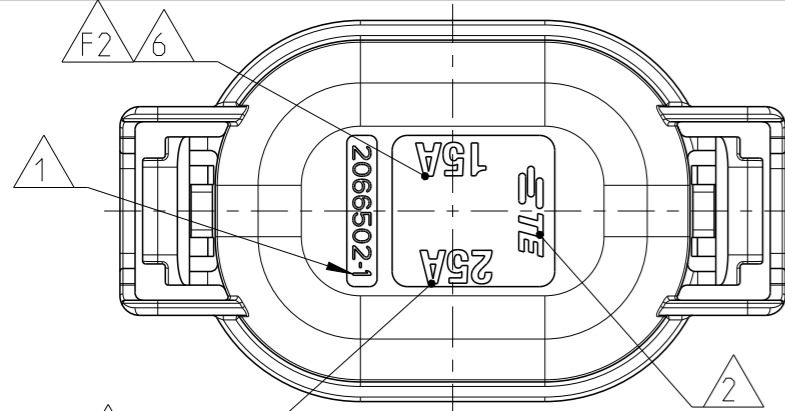
LOC IT DIST -

REVISIONS

P	LTR	DESCRIPTION	DATE	DWN	APVD
A		NEW RELEASE	10JUN2014	GG	RK
A1		ECR-14-010210	08JULY2014	KG	RK
A2		ECR-16-015264	02NOV2016	CS	VVB
A3		ECR-17-002833	27FEB2017	CS	VVB

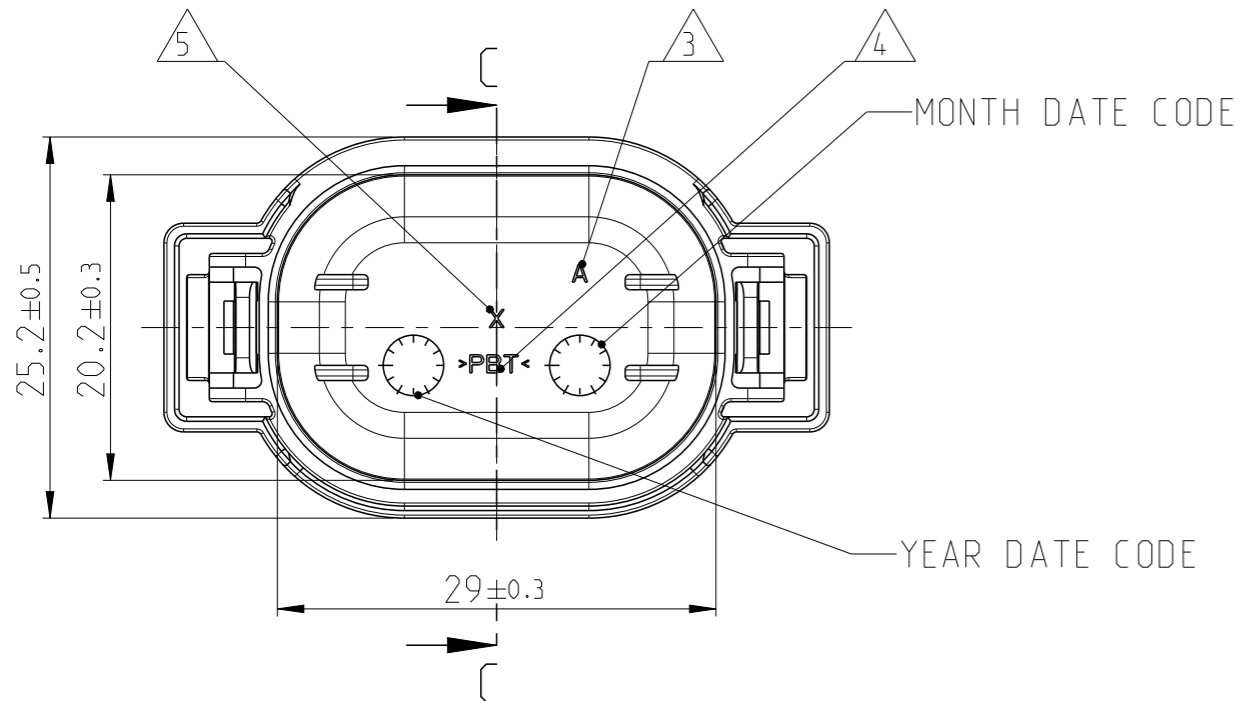
TABLE 1 FUSE CURRENT MATRIX

PART NO.	2066502-1	2066502-2	2066502-3
F1	25A	25A	-
F2	15A	10A	-



NOTES:

- ① TE PART NO.
- ② TE TRADEMARK
- ③ PART REVISION INDEX
- ④ MATERIAL IDENTIFICATION
- ⑤ MOLD CAVITY IDENTIFICATION NUMBER
- ⑥ MARKING FOR CURRENT RATING
- ⑦ 15% MAX. PERMITTED REGRIND MATERIAL, PROCESSED IN CLOSED LOOP.
- 8. DRAWING SHOWN FOR P/N: 2066502-1. REFER TABLE 1 FOR DETAILS REGARDING OTHER PART NUMBERS.



2066502-1 AS SHOWN

A3

2066502-3	A	COVER, MINI FUSE 2POS.	PBT	5	BLACK	3
2066502-2	A	COVER, MINI FUSE 2POS.	PBT	5	GRAY	2
2066502-1	A	COVER, MINI FUSE 2POS.	PBT	5	BLACK	1
TE PART NO	REV	DESCRIPTION	MATERIAL	WEIGHT [g]	SURFACE COLOR	ITEM

THIS DRAWING IS A CONTROLLED DOCUMENT.		DWN VISHWA. A 19JUN2012	TE Connectivity			
DIMENSIONS: mm		CHK MADHUL. L 13JUL2012				
TOLERANCES UNLESS OTHERWISE SPECIFIED: DIN 16901-140		APVD MADHUL. L 13JUL2012	NAME COVER, 2POS MINIFUSE BOX HOUSING			
		PRODUCT SPEC 108-72108	RESTRICTED TO			
MATERIAL SEE TABLE		APPLICATION SPEC -	SIZE A3	CAGE CODE 00779	DRAWING NO C=2066502	REV A3
FINISH -		WEIGHT -	SCALE 2:1		SHEET 1 OF 1	
		CUSTOMER DRAWING				