

SUMMARY



Image is for illustrative purpose only

Wires

| | |
|---------|---|
| Low | 0 |
| High | 0 |
| Coax | 1 |
| Triax | 0 |
| Quad | 0 |
| Fiber | 0 |
| Fluidic | 0 |

Download

[Request a quote](#)

[Catalog](#)

| | |
|------------------|------------------------|
| Series | 00 |
| Termination type | Coupler/adaptor/bridge |
| IP rating | 50 |
| Cable Ø | 0.00 - 0.00 mm |
| Matching parts | |
| Status | |
| Alternative part | |

TECHNICAL DETAILS

Mechanics

| | |
|-------------------|---|
| Shell Style/Model | RAD*: Fixed coupler, nut fixing |
| Keying | Circular (can rotate) |
| Housing Material | Brass (chrome plated) shell and collet nut, nickel plated brass latch sleeve and mid pieces |
| Cable Fixing | ∅ 0 - 0 mm |
| Variant | |

Performance

| | |
|---------------|------------------------|
| Configuration | 0.25 : 1 Coax (50 Ohm) |
| Insulator | T: PTFE |
| Rated Current | 4 Amps |

Specifications

Contact Type: Coaxial 50 Ohm
Max. Matings: 500
Contact Retention: 18 N
Contact Dia.: 0.7 mm (0.03in)
Vtest: 2100 V (AC), 3000 V (DC)
□

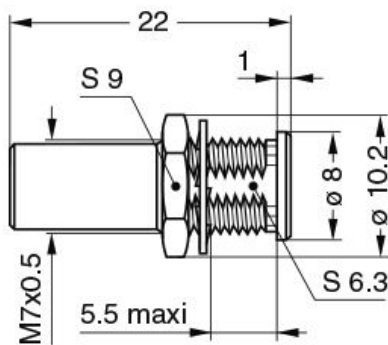
Impedance: 50 Ohm
VSWR: $1.09 + 0.11 \cdot f/\text{GHz}$

Others

Endurance (Shell): 5000 mating cycles
F ret (min): 100 N
IP Rating: 50

DRAWINGS

Draws



Dimensions

| | A | B | E | L | M | S1 | S2 | e |
|-----|------|------|------|------|------|------|------|--------|
| mm. | 8 | 10.3 | 5.5 | 22 | 1 | 6.3 | 9 | M7x0.5 |
| in. | 0,31 | 0,41 | 0,22 | 0,87 | 0,04 | 0,25 | 0,35 | |

RECOMMENDED BY LEMO

Tools

Crimp Tool: DPC.91.701.V

Cables