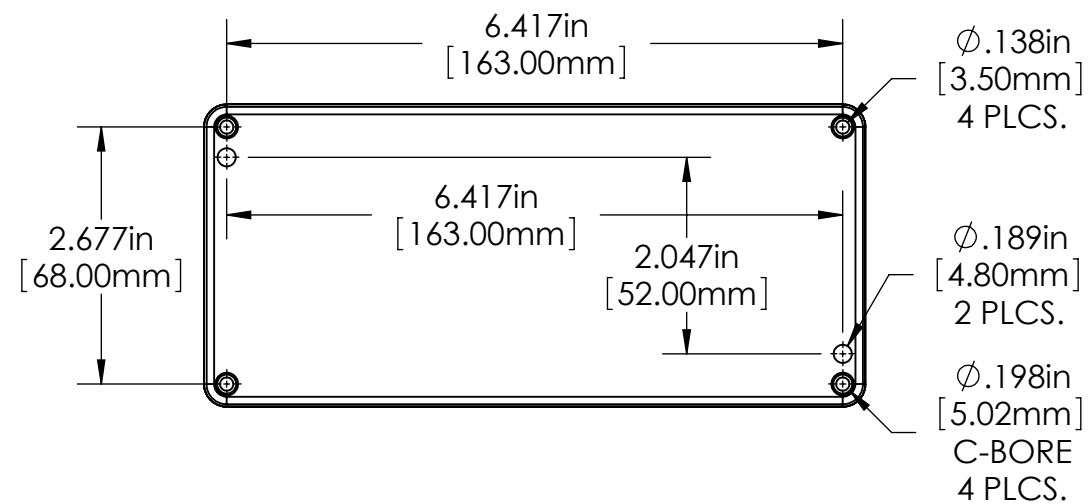
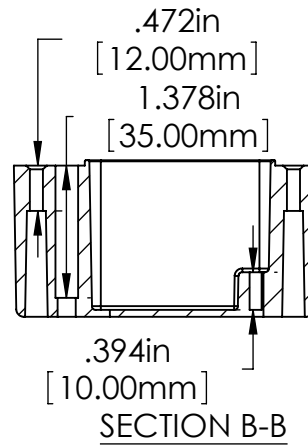
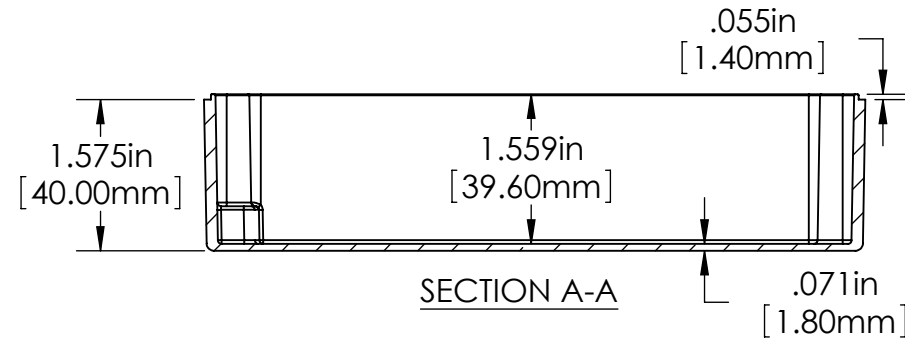
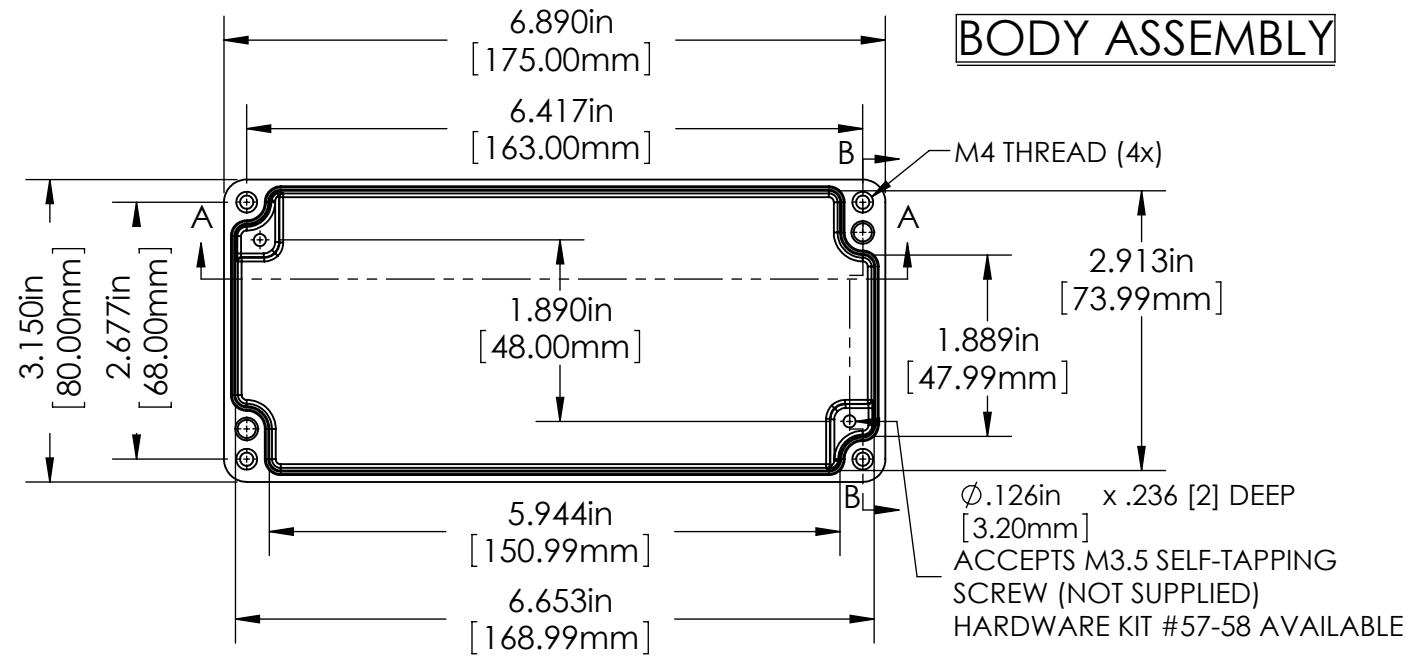
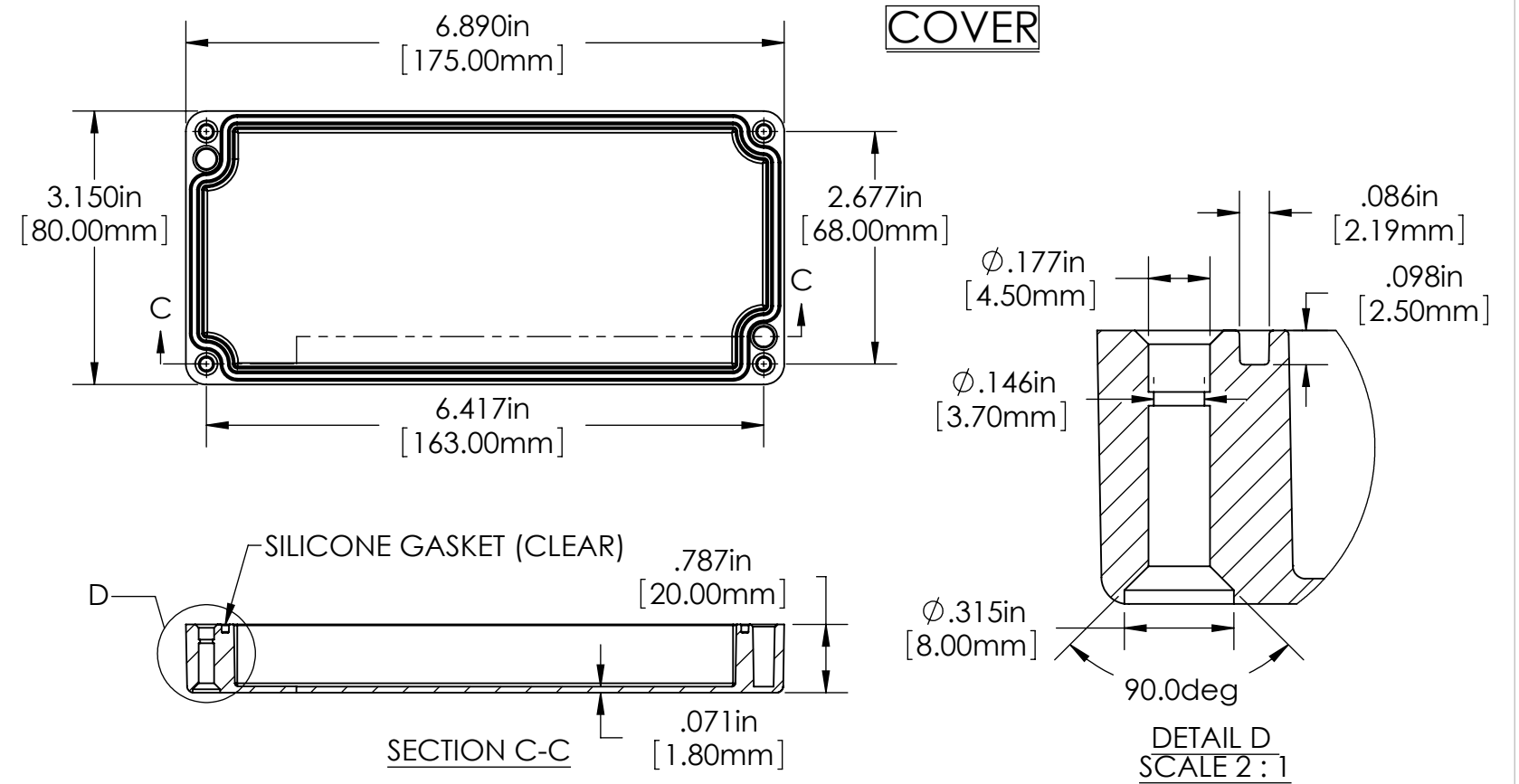


BODY ASSEMBLY

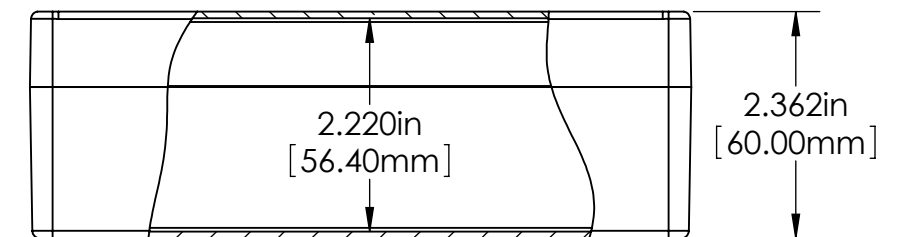
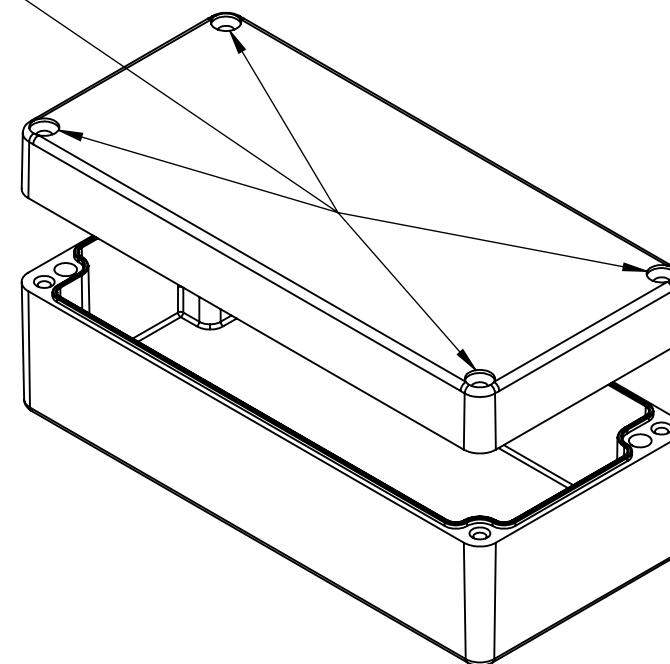


COVER



ASSEMBLY

FOUR (4) M4 x 32mm (1.26") LG. FLAT HD. STAINLESS STEEL SCREWS SUPPLIED FOR ASSEMBLY OF COVER



MATERIAL: ALUMINUM (ADC-12 ALLOY)

FINISH: NATURAL

TOLERANCES: $\pm .015 [\pm .38]$