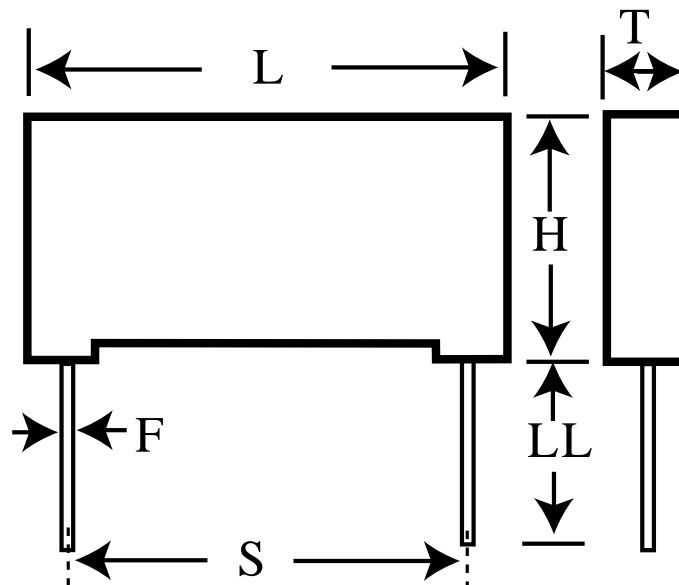


PHE844RD6100KR06L2

aka F844DH104K440C PHE844RD6100KD14R06L2

Capacitor, film, 0.1 uF, +/-10% Tol, -40/+105C, Safety: X1, 440VAC,
Lead Spacing=22.5 mm



Dimensions (mm)

Specifications

ID	Dimension	Tolerance	Manufacturer:	KEMET
L	26	max	Brand:	Rifa
H	16	max	Capacitance:	0.1 uF
T	8	max	Temperature Range:	-40/+105C
S	22.5	+/-0.4	Rated Temperature:	105C
LL	6	nom	Voltage @ rated temp:	1000V
F	0.8	nom	Voltage AC:	440VAC
			Tolerance:	+/-10%
			Body Type:	Radial Box
			Construction:	Wound
			Application:	Safety: X1
			Dissipation Factor @ 1 kHz:	0.1%
			Dissipation Factor @ 10 kHz:	0.2%
			Dissipation Factor @ 100kHz:	0.6%
			Insulation Resistance:	30 GOhm
			Maximum dVdT:	100v/us
			UL_1414:	250V
			UL_1283:	480V
			IEC_60384-14:	440V
			EN_132400:	440V
			C_22.2_NO.1:	250V
			C_22.2_NO.8:	480V
			Miscellaneous Electrical:	PHE844
			Package Kind:	Bulk
			Package Type:	Tray
			Package Quantity:	186