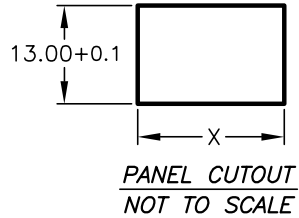
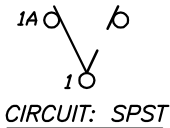


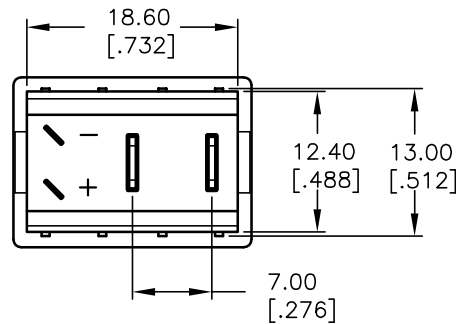
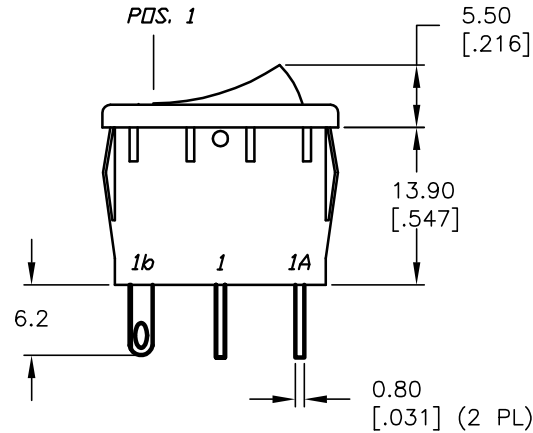
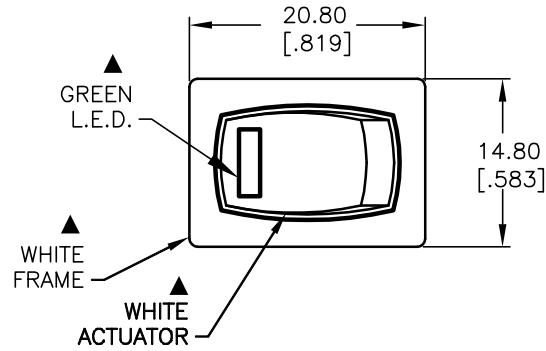
PANEL THICKNESS	X dimension
0.75-1.25 [.030-.049]	19.2- <i>0.1</i> [.756]
1.25-2.0 [.049-.079]	19.4- <i>0.1</i> [.764]
2.0-3.0 [.079-.118]	19.8- <i>0.1</i> [.780]



SWITCH FUNCTION	
POS. 1	POS. 2
ON	OFF
1-1a	OPEN

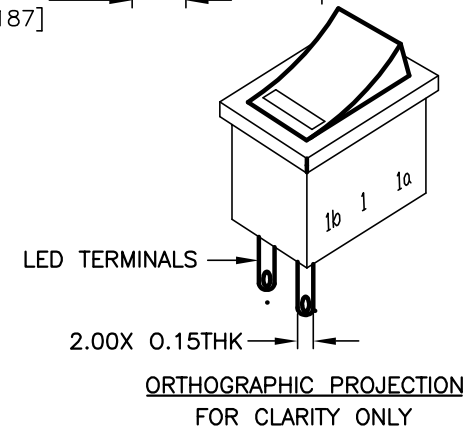
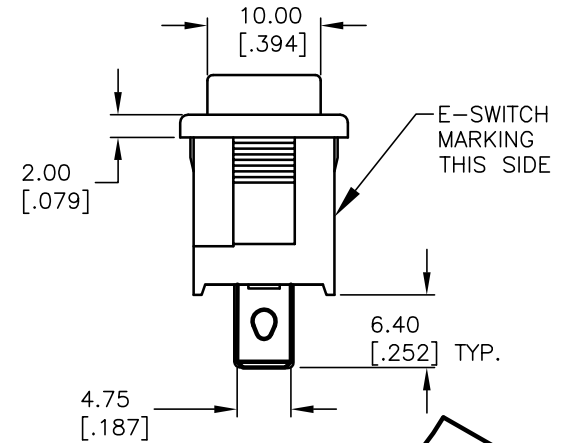


- NOTES:
1. ALL DIMENSIONS IN MM [INCH]
 2. GENERAL TOLERANCE: X.X=±0.4
X.XX=±0.25
 3. TERMINAL NUMBERS FOR REF ONLY
 4. RATING: 15A @ 125VAC OR 6A @ 250VAC
 5. MATERIALS: (TERMINALS) SILVER PLATED COPPER
(CONTACTS) COIN SILVER, SILVER PLATED.
 6. CONTACT RESISTANCE: <20 Mega
 7. ELECTRICAL LIFE: 10,000 cycles
 8. INSULATION RESISTANCE: >1000 Mega
 9. DIELECTRIC STRENGTH: >1500V 1 minute
>3000V between Poles
 10. OPERATING TEMP. RANGE: -25°C to +85°C



GREEN L.E.D

PARAMETERS	SYMBOL	MAX.	TYP.	UNITS
POWER DISSIPATION	P _D	80		mW
AVE FORWARD CURRENT	I _{AF}	--		mA
PEAK FORWARD CURRENT	I _{PF}	100		mA
REVERSE VOLTAGE	V _R	5		V
FORWARD VOLTAGE	V _F	2.6	2	V
REVERSE CURRENT	I _R		100	μA
EMISSION WAVELENGTH	λ _P		570	nm
LUMINOUS INTENSITY	I _V		30	mcd



E-SWITCH®

TITLE				
R1966AWHTWHTEFGRN				
SCALE	DATE	DR	DWG	REV
1.5:1	12/19/03	AR	M301122	A

A	13661	RELEASED FOR PRODUCTION	12/19/03	AR
REV.	ECN No.	DESCRIPTION	DATE	CHKD
THE INFORMATION CONTAINED IN THIS DOCUMENT IS PROPRIETARY TO E-SWITCH AND IS NOT TO BE COPIED OR TRANSFERRED				