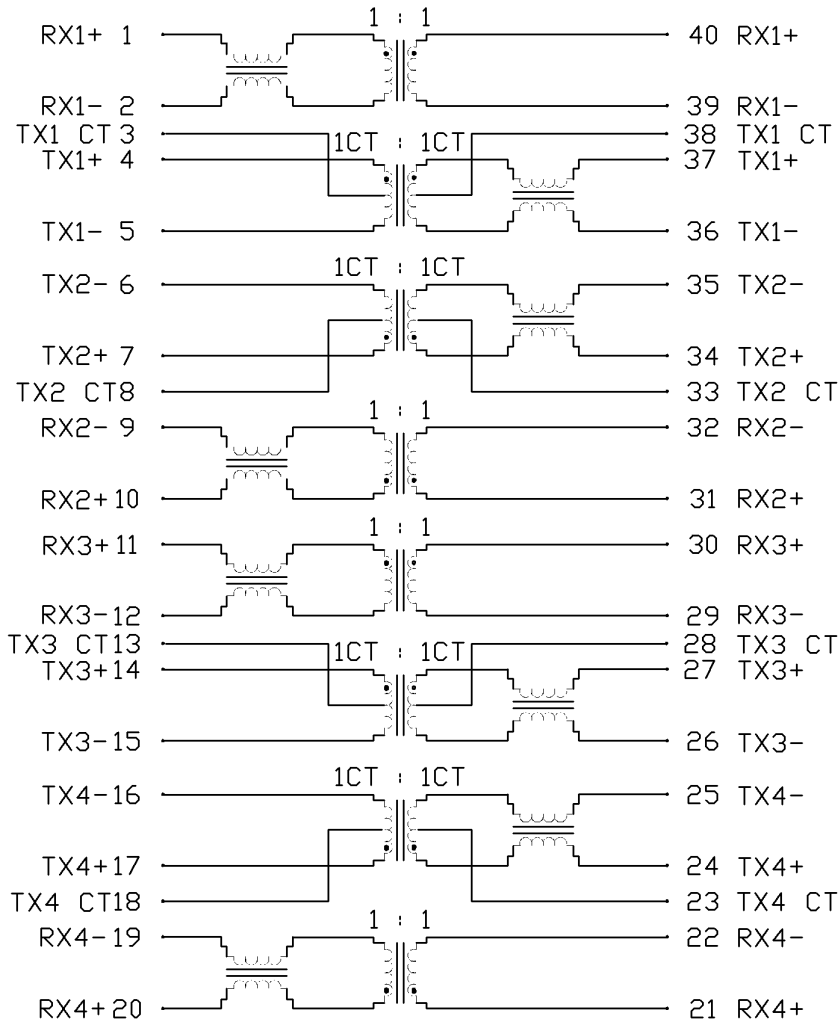


THE INFORMATION CONTAINED HEREIN IS CONSIDERED "PROPRIETARY" TO BEL FUSE INC. AND SHALL NOT BE COPIED, REPRODUCED OR DISCLOSED WITHOUT THE WRITTEN APPROVAL OF BEL FUSE INC.



SCHEMATIC



ELECTRICAL CHARACTERISTICS @ 25°C

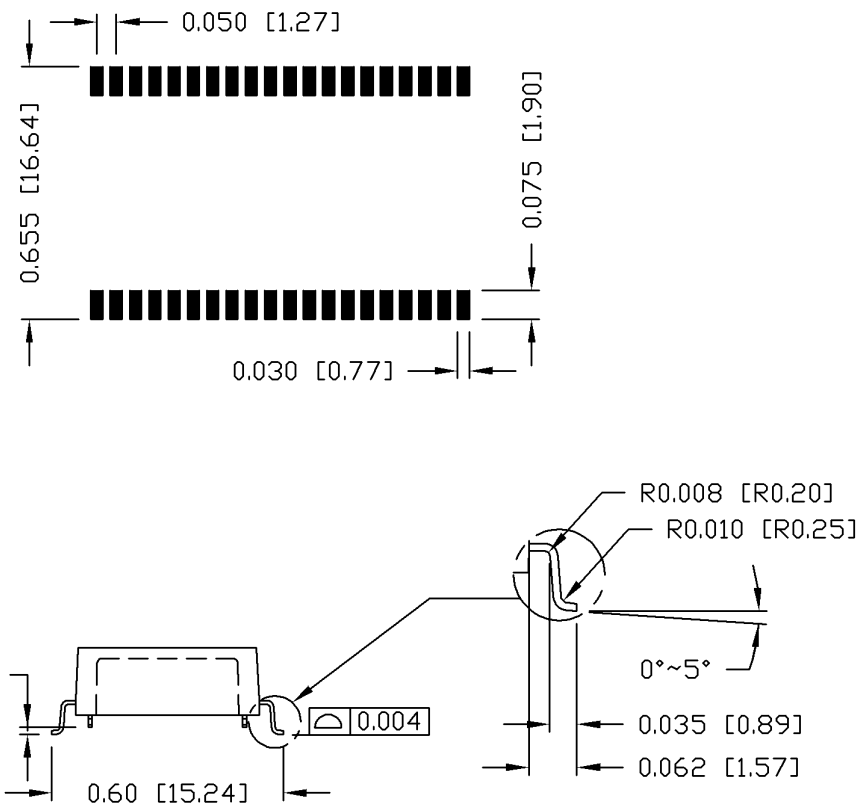
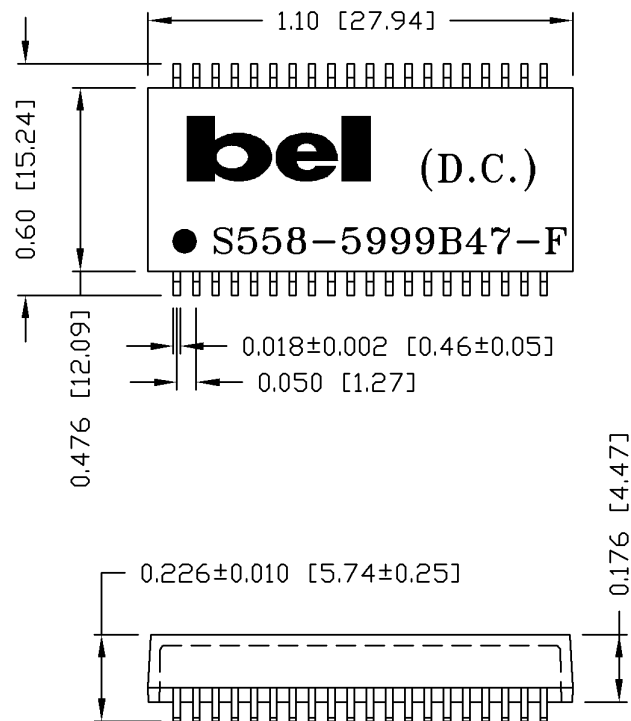
<p>URNS RATIO Tx 1CT : 1CT Rx 1 : 1</p>	<p>POLARITY PER DOT CONVENTION</p>
<p>CL 350µH MIN @100kHz, 100mV WITH 8mA DC BIAS</p>	<p>INSERTION LOSS 1.0dB MAX @300kHz TO 80MHz</p>
<p>RETURN LOSS MEASURED UNDER 100Ω ENVIRONMENT</p>	<p>18.0dB MIN @1MHz TO 30MHz 13.5dB MIN @30MHz TO 60MHz 12.0dB MIN @60MHz TO 80MHz</p>
<p>COMMON TO DIFFERENTIAL MODE REJECTION</p>	<p>40dB MIN @0.3MHz TO 100MHz</p>
<p>COMMON TO COMMON MODE REJECTION</p>	<p>35dB MIN @0.3MHz TO 100MHz</p>
<p>CROSSTALK</p>	<p>35dB MIN @0.3MHz TO 100MHz</p>
<p>HIPOT</p>	<p>PER HAND-WORK-03</p>
<p>OPERATING TEMPERATURE</p>	<p>0°C TO 70°C</p>

ORIGINATED BY CHAN CH	DATE 06-04-08	TITLE ELECTRICAL SPECIFICATION S558-5999B47-F	PART NO. / DRAWING NO. X5585999B47F		STANDARD DIM. TOL. IN INCH	[] METRIC DIM. AS REFERENCE		<p>COMPONENTS FOR A CONNECTED PLANET</p>
			FILE NAME X5585999B47FA.DWG		.X .XX .XXX	UNIT : INCH [mm] SCALE : N/A 	REV. : A SIZE : A4 PAGE : 2	
DRAWN BY YH Lai	DATE 06-04-08							

THE INFORMATION CONTAINED HEREIN IS CONSIDERED "PROPRIETARY" TO BEL FUSE INC. AND SHALL NOT BE COPIED, REPRODUCED OR DISCLOSED WITHOUT THE WRITTEN APPROVAL OF BEL FUSE INC.



SUGGESTED PCB PAD LAYOUT



NOTES:

1. STANDARD MARKING REFER TO DOC. HAND-WORK-04.
2. PACKAGE CODE: "RRS001".

ORIGINATED BY CHAN CH	DATE 06-04-08	TITLE MECHANICAL OUTLINE S558-5999B47-F	PART NO. / DRAWING NO. X5585999B47F		STANDARD DIM. TOL. IN INCH		[] METRIC DIM. AS REFERENCE		 COMPONENTS FOR A CONNECTED PLANET
			FILE NAME X5585999B47FA.DWG		.X		UNIT : INCH [mm]	REV. : A	
DRAWN BY YH Lai	DATE 06-04-08			.XX	±0.01	SCALE : N/A	SIZE : A4		
				.XXX	±0.005		PAGE : 3		