

1 2 3 4 5 6

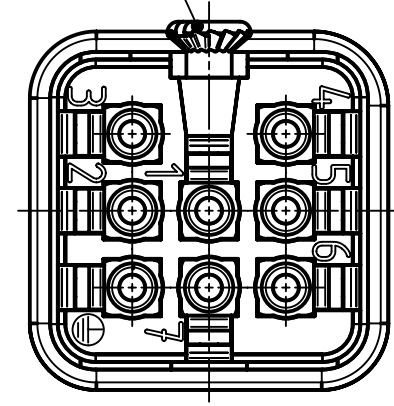
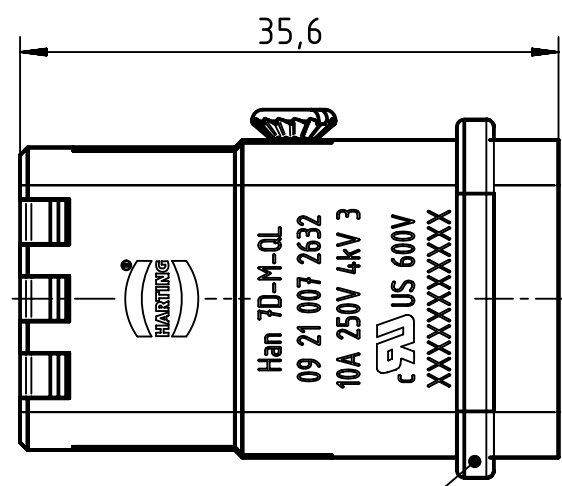
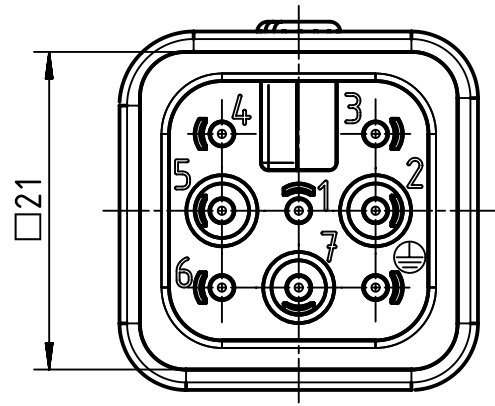
A

B

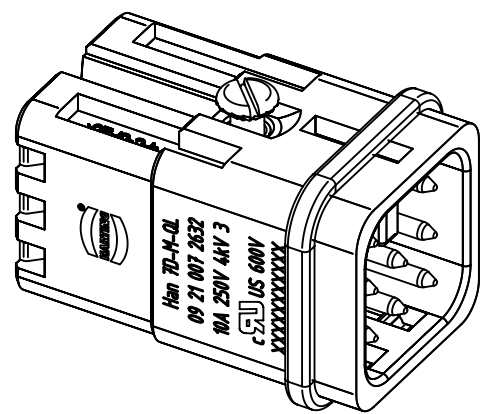
C


D

insert fixing screw M3x6
enclosed separately



seal



	All rights reserved Department EL PD - DE	All Dimensions in mm Original Size DIN A4		Scale 2:1	Free size tol.		Ref.	
		HARTING Electric GmbH & Co. KG D-32339 Espelkamp	Created by RULLKOETTER	Inspected by BERGHORN	Standardisation TIEMANNA	Date 2015-01-07	State Final Release	
Title Han 7D-M Quick Lock 22-16 AWG							Doc-Key / ECM-Nr. 100177471/UGD/004/A 500000082990	
				Type TB	Number 09 21 007 2632		Rev. A	Page 1/1