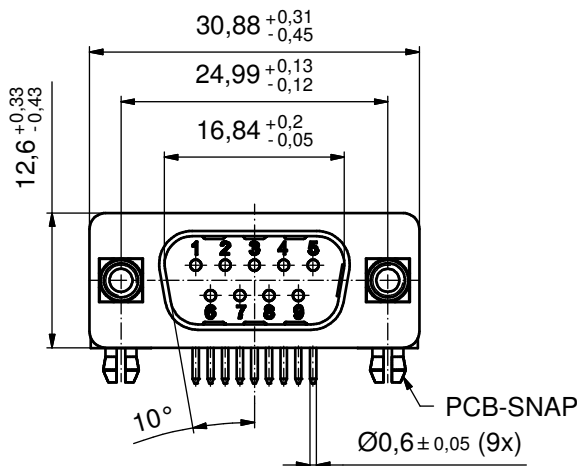
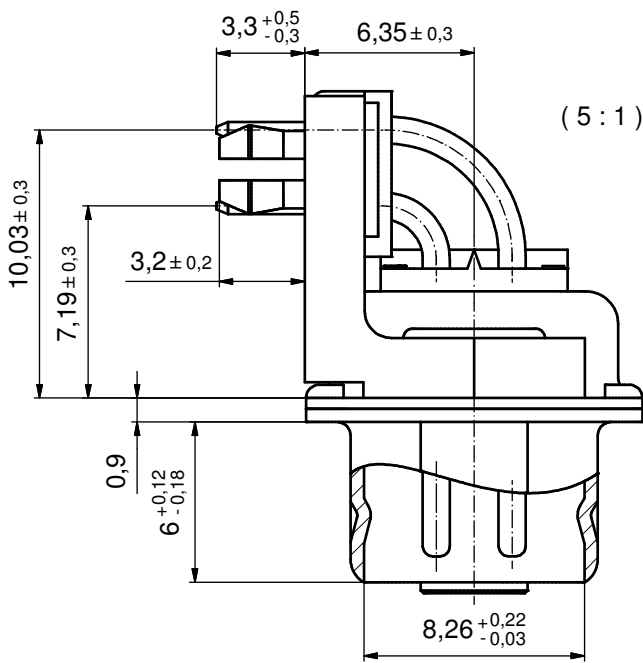
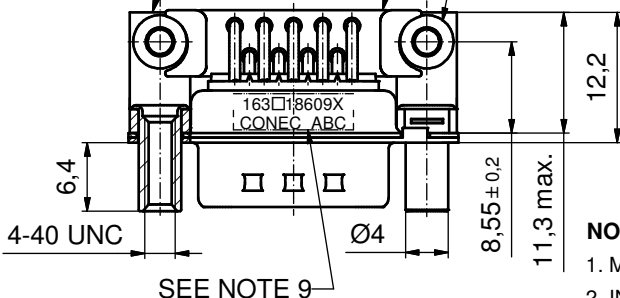


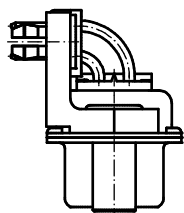
P.C.B. HOLE DRILLINGS
(P.C.B. TOP SIDE)



METAL BRACKET FIXING-PLATE PRESS FOR FIXING ON PCB

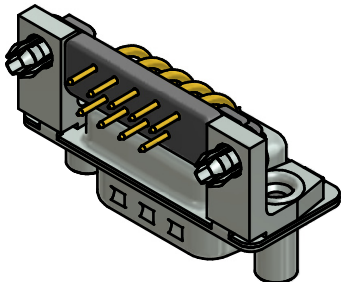


SEE NOTE 9



NOTES:

1. METAL SHELLS: STEEL; min. 315µm TIN over 40-80µm NICKEL
2. INSULATORS: PBT GF UL 94 V-0; BLACK
3. CONTACTS: COPPER ALLOY; PLATING: (SEE PART NO.):
 - PLEASE ADD A for GOLD FLASH over NICKEL (PREFERRED TYPE)
 - PLEASE ADD B for 20µm HARD GOLD over min. 50µm NICKEL
 - PLEASE ADD C for 30µm HARD GOLD over min. 50µm NICKEL
4. METAL BRACKETS: ZINC DIE CAST; 300µm COPPER/40-120µm NICKEL/120-200µm TIN
5. THREADED LOCKS: COPPER ALLOY; min. 200µm TIN over 80µm NICKEL
6. PCB SNAPS: COPPER ALLOY; min. 200µm TIN over 80µm NICKEL
PCB-HOLE: $\varnothing 3.1 \pm 0.1$; PCB THICKNESS 1.6mm
7. FIXING-PLATE: PBT GF UL 94 V-0; BLACK
8. MAXIMUM TORQUE VALUE FOR THREAD: 6 in.LB
9. CONNECTOR IS PART MARKED: 163□18609X CONEC ABC (see note 3)



Directive 2002/95/EC RoHS compliant

| | | | | | |
|---|----------------|------------|------------|--|---------------------|
| THIS DRAWING MAY NOT BE COPIED OR REPRODUCED IN ANY WAY, AND MAY NOT BE PASSED ON TO A THIRD PARTY WITHOUT WRITTEN PERMISSION. OWNERSHIP AND COPYRIGHT OF CONEC GmbH DO NOT ALTER CAD DRAWING BY HAND | tolerance | | dim. in mm | | scale: 2:1 (5:1) |
| | | | | | material: SEE NOTES |
| | date | name | | title: | |
| | drawn 22.01.13 | Henneboel | | D-SUB MALE 90° 9pos. SOLDER PIN ANGLED 0.318inch threaded lock, metal bracket, fixing-plate, snap | |
| | appd. 28.01.13 | Fischer | | | |
| norm | | | dwg no: | | |
| d-old | 16K2A1010 | | 16K1A1010 | | |
| 2 x b | A4620 | 23.01.2013 | K.H. | CONEC part no: (b) 163□18609X (see note 3) | |
| a | Original | | | DIN-A3 sh: 1 | |
| rev. | description | date | name | | |