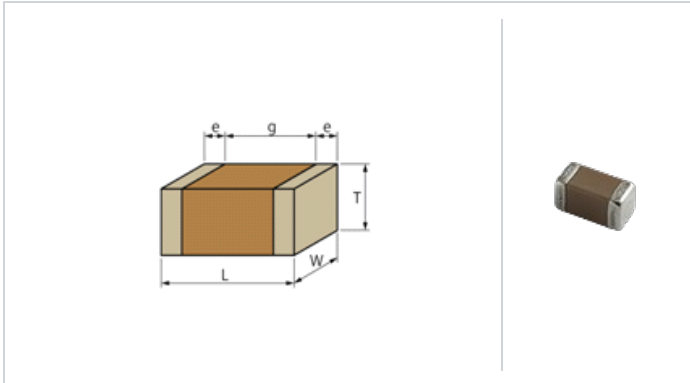




Deadline for last orders: 30 Sep 2018 Date of discontinuation: 31 Dec 2018

< List of part numbers with package codes >
GRM0225C1E7R7CDAEL

Shape



| | |
|---------------------------------------|----------------|
| L size | 0.4 ±0.02mm |
| W size | 0.2 ±0.02mm |
| T size | 0.2 ±0.02mm |
| External terminal width e | 0.07 to 0.14mm |
| Distance between external terminals g | 0.13mm min. |
| Size code in inch(mm) | 01005 (0402M) |

Notes

Please use replacements or Recommended.

References

| Packaging | Specifications | Minimum quantity |
|-----------|------------------------|------------------|
| L | φ180mm Embossed taping | 40000 |

| Mass (typ.) | |
|-------------|--------|
| 1 piece | 0.09mg |
| φ180mm Reel | 198g |

Specifications

| | |
|--|---------------|
| Capacitance | 7.7pF ±0.25pF |
| Rated voltage | 25Vdc |
| Temperature characteristics (complied standard) | C0G(EIA) |
| Temperature coefficient | 0±30ppm/°C |
| Temperature range of temperature characteristics | 25 to 125°C |
| Operating temperature range | -55 to 125°C |

Attention

- 1.This datasheet is downloaded from the website of Murata Manufacturing Co., Ltd. Therefore, it's specifications are subject to change or our products in it may be discontinued without advance notice. Please check with our sales representatives or product engineers before ordering.
- 2.This datasheet has only typical specifications because there is no space for detailed specifications. Therefore, please review our product specifications or consult the approval sheet for product specifications before ordering.