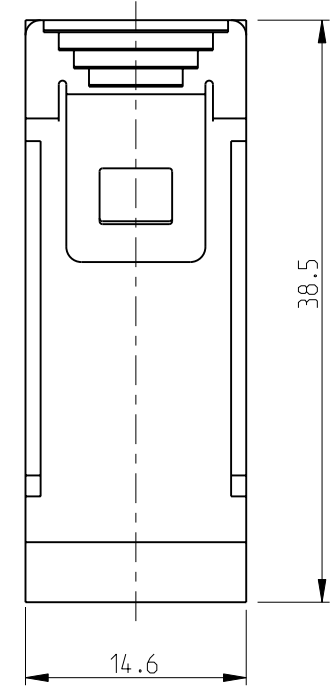
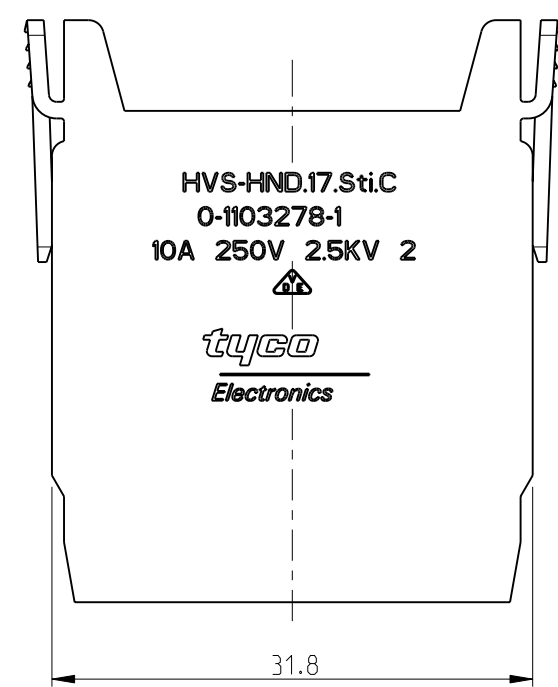
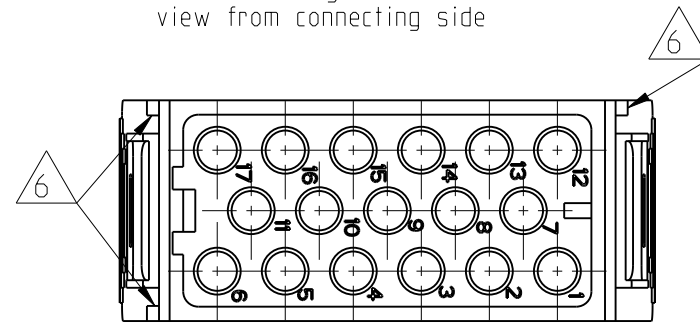


THIS DRAWING IS UNPUBLISHED. RELEASED FOR PUBLICATION 2000
 © COPYRIGHT 2000 BY TYCO ELECTRONICS CORPORATION. ALL RIGHTS RESERVED.

LOC	DIST	REVISIONS					
		P	LTR	DESCRIPTION	DATE	DWN	APVD
A1		B1		ECR-10-021590	26.10.2010	SR	OH

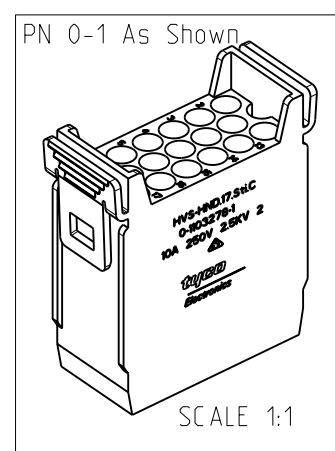
PN 0-1 As Shown

Contact arrangement
view from connecting side

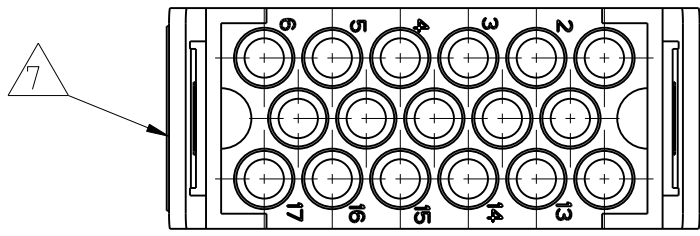


NOTES

- SUITABLE CRIMP CONTACTS: SERIES HN.D
CUSTOMER DRAWING: 1105050
OUTER DIMENSIONS OF INSULATION: MAX. Ø4mm
- SUITABLE MODULE FIXING FRAME: SERIES HVS SIZE 3 TO 8
CUSTOMER DRAWING: 1103250
- SUITABLE INSERTION TOOL:
CUSTOMER DRAWING: 1102855
- SUITABLE EXTRACTION TOOL:
CUSTOMER DRAWING: 1102855
- STANDARDS:
DIN EN 61984; DIN EN 60664-1
- POLARIZATION RIPS
- MARKING OF POLARIZATION ACCORDING TO MARKING OF MODULE FRAME
- PACKAGING:
10 SETS IN A CARTON, PRE-MOUNTED



Contact arrangement
view from termination side



1	MALE INSERT	PC-GF20	LIGHT GREY	1
QTY	DESCRIPTION	MATERIAL	COLOR	ITEM NO
PN 0-1 / HVS-HN.D.17.Sti.C				

THIS DRAWING IS A CONTROLLED DOCUMENT FOR TYCO ELECTRONICS CORPORATION IT IS SUBJECT TO CHANGE AND THE CONTROLLING ENGINEERING ORGANIZATION SHOULD BE CONTACTED FOR THE LATEST REVISION.

DIMENSIONS:	TOLERANCES UNLESS OTHERWISE SPECIFIED:
mm	ISO 8075 DIN ISO 2768 mH-E DIN 16901-120
	0 PLC ± 1 PLC ± 2 PLC ± 3 PLC ± 4 PLC ± ANGLES ±
MATERIAL	FINISH

DWN	20.02.2006	Tyco Electronics AMP GmbH 53757 Sankt Augustin, Germany		
CHK	20.02.2006	NAME		
APVD	20.02.2006	MALE INSERT HVS-HND.17.STI.C		
PRODUCT SPEC	108-74083	SIZE	CAGE CODE	DRAWING NO
APPLICATION SPEC	114-74085	A3	00779	©=1103278
WEIGHT		RESTRICTED TO		
CUSTOMER DRAWING		SCALE	SHEET	REV
		2:1	1 OF 1	B1