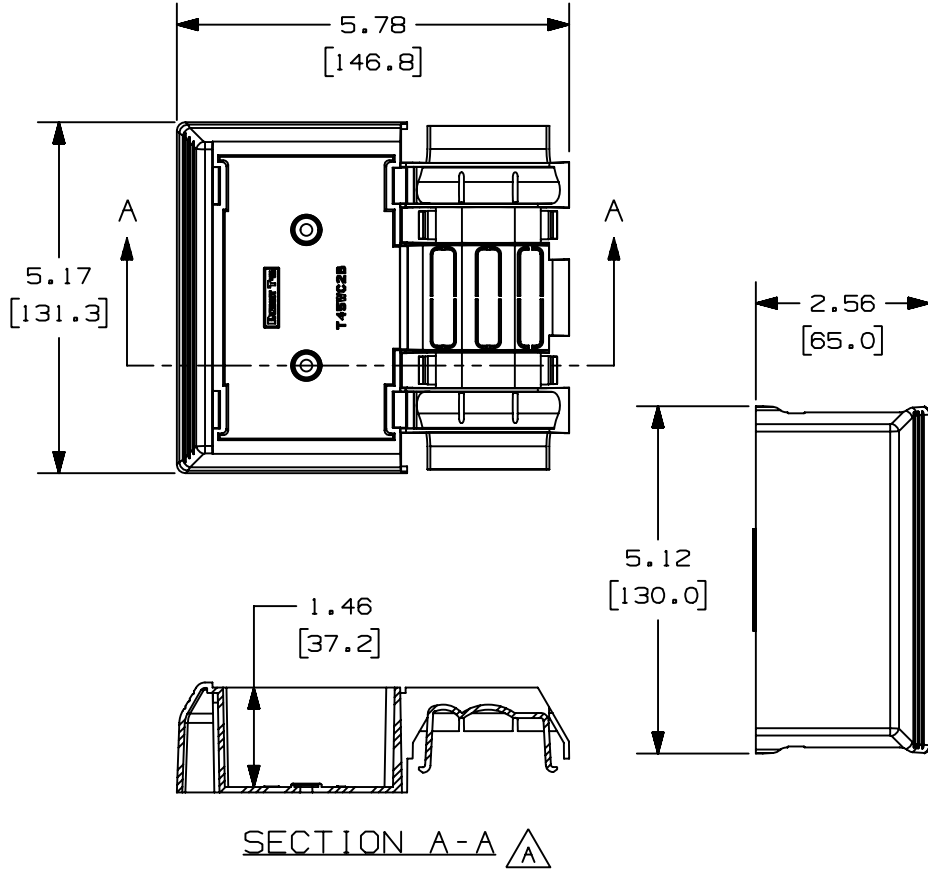
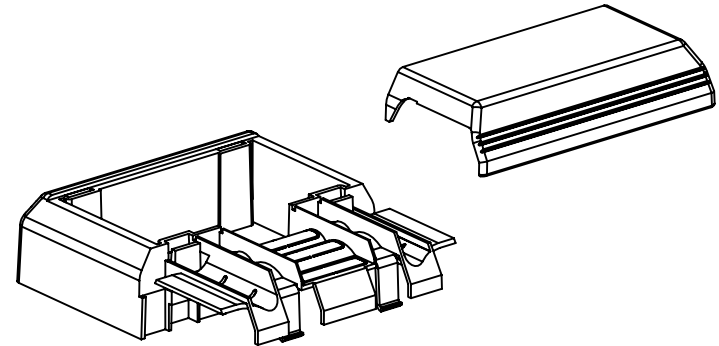


THIS COPY IS PROVIDED ON A RESTRICTED BASIS AND IS NOT TO BE USED IN ANY WAY DETRIMENTAL TO THE INTERESTS OF PANDUIT CORP.



PANDUIT P/N	WEIGHT
T45WC2	3.42 LB/10 PCS (1554 g/10 PCS)

- NOTES:
- SEE CURRENT CATALOG FOR ADDITIONAL PART SUFFIXES TO INDICATE COLOR AND OR PACKAGE QUANTITY.
 - ACCEPTS PANDUIT SNAP-ON TYPE FACEPLATES.
 - DIMENSIONS IN PARENTHESES ARE IN METRIC.



SECTION A-A \triangle

CAD FILENAME/LAYERS D36975EK_DC_T45WC2_00B.prt

PANDUIT CORP. TINLEY PARK, ILLINOIS
T-45 WORKSTATION OUTLET CENTER
(T45WC2)
CUSTOMER DRAWING

UNLESS OTHERWISE SPECIFIED,
DIMENSIONAL TOLERANCES ARE:
(.X) ± (.XXX) ±
(.XX) ±.03 (.8) ANGLES ±

UNLESS OTHERWISE SPECIFIED,
ALL DIMENSIONS ARE GIVEN
IN INCHES, THIRD ANGLE PROJECTION.

REV	DATE	BY	CHK	DESCRIPTION	ECN	CHK	CUST	SUP
I	07-20-00	MSO	BKR	A. ADDED SECTION A-A TO SHOW INSIDE DEPTH OF W.O.C.	36975-73	HIW	HIW	
R	11-30-99	RABO	HIW	RELEASED TO PRODUCTION	36975-73	HIW	HIW	

DRAWN BY
RABO
DATE
11-30-99
CHECKED BY
HIW

MAT'L:
PVC

SCALE
NONE
DRAWING NO.
36975-73
DWG
A
SIZE