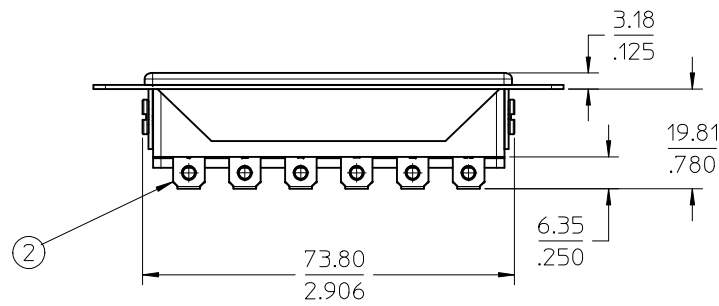


2 HOLES-
CLEARANCE FOR .156 DIA. POLARIZING PIN.



| | | | | |
|------|-----|-----------------------------------|-------------|------------------|
| 4 | 2 | SCREW #6-32X.312 PAN SLOTNI/STEEL | STEEL | NICKEL |
| 3 | 1 | BRACKT SHALOW 5412 PAINT | STEEL | BLACK PAINT/ZINC |
| 2 | 12 | CONTACT S1 5400 SN/D | PHOS.BRONZE | TIN |
| 1 | 1 | BASE SOCKET 5412 MOGPP | PHENOLIC | BLACK |
| ITEM | QTY | DESCRIPTION | MATERIAL | FINISH |

| | |
|---------------------|-------------|
| INITIAL RELEASE | DESCRIPTION |
| EC NO: WNA2010-0319 | 2010/02/12 |
| DRWNGES | 2010/05/13 |
| CHKD:CLYORK | 2010/07/12 |
| APPR:DTITUS | |
| A | REV |

| | | | | | | | | |
|-----------------|--|--------------|---|------------|---------------------|--------------|------------------------|--------|
| QUALITY SYMBOLS | GENERAL TOLERANCES (UNLESS SPECIFIED) | | DIMENSION STYLE | | SCALE | DESIGN UNITS | THIRD ANGLE PROJECTION | |
| | | | MM/IN | | 1:1 | INCH | | |
| ▽=0 | 4 PLACES | ± --- ± --- | DRAWN BY | DATE | TITLE | | | |
| ∇=0 | 3 PLACES | ± --- ± .015 | GES | 2010/02/12 | SOCKET, SB 5412 ASY | | | |
| | 2 PLACES | ± 0.38 ± --- | CHECKED BY | DATE | | | | |
| | 1 PLACE | ± --- ± --- | CLYORK | 2010/05/13 | | | | |
| | ANGULAR ± 1/2° | | APPROVED BY | DATE | | | | |
| | DRAFT WHERE APPLICABLE MUST REMAIN WITHIN DIMENSIONS | | DTITUS | 2010/07/12 | | | | |
| | | | MATERIAL NO. | 385421312 | MOLEX INCORPORATED | | SHEET NO. | |
| | | | SIZE | A3 | DOCUMENT NO. | | SD-38542-015 | |
| | | | THIS DRAWING CONTAINS INFORMATION THAT IS PROPRIETARY TO MOLEX INCORPORATED AND SHOULD NOT BE USED WITHOUT WRITTEN PERMISSION | | | | | 1 OF 1 |

NOTES:
1. ASSEMBLY IS ROHS COMPLIANT.