

CMPS5061
 CMPS5062
 CMPS5063
 CMPS5064

**SURFACE MOUNT
 SILICON CONTROLLED RECTIFIER**



SOT-23 CASE



www.centralemi.com

DESCRIPTION:

The CENTRAL SEMICONDUCTOR CMPS5061 Series types are epoxy molded PNP Silicon Controlled Rectifiers manufactured in an SOT-23 case, designed for control systems and sensing circuit applications.

**MARKING CODE: CMPS5061: P2A
 CMPS5062: P2B
 CMPS5063: P2C
 CMPS5064: P2D**

MAXIMUM RATINGS: ($T_A=25^\circ\text{C}$)		SYMBOL	CMPS5061	CMPS5062	CMPS5063	CMPS5064	UNITS
Peak Repetitive Off-State Voltage		V_{DRM}	100	200	300	400	V
Peak Repetitive Reverse Voltage		V_{RRM}	100	200	300	400	V
RMS On-State Current		$I_{T(RMS)}$		0.25			A
Average On-State Current		$I_{T(AV)}$		0.16			A
Power Dissipation		P_D		350			mW
Operating Junction Temperature		T_J		-65 to +125			$^\circ\text{C}$
Storage Temperature		T_{stg}		-65 to +150			$^\circ\text{C}$
Thermal Resistance		θ_{JA}		286			$^\circ\text{C/W}$

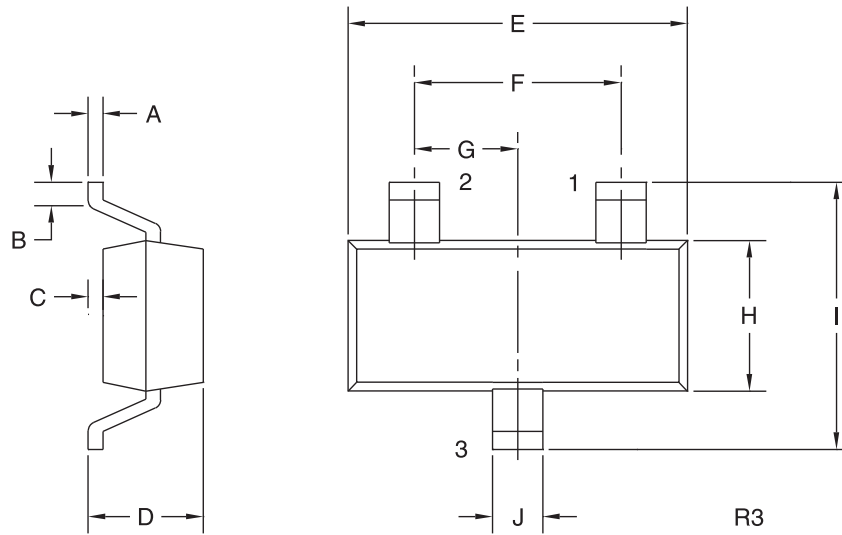
ELECTRICAL CHARACTERISTICS: ($T_A=25^\circ\text{C}$)		CMPS5061	CMPS5062	CMPS5063	CMPS5064	UNITS
SYMBOL	TEST CONDITIONS	MIN	MAX	MIN	MAX	
I_{DRM}	$V_D = \text{Rated } V_{DRM}, R_{GK} = 1.0\text{K}\Omega$	-	1.0	-	1.0	μA
I_{RRM}	$V_D = \text{Rated } V_{DRM}, R_{GK} = 1.0\text{K}\Omega$	-	1.0	-	1.0	μA
I_{DRM}	$V_D = \text{Rated } V_{DRM}, R_{GK} = 1.0\text{K}\Omega, T_C = 125^\circ\text{C}$	-	50	-	50	μA
I_{RRM}	$V_D = \text{Rated } V_{DRM}, R_{GK} = 1.0\text{K}\Omega, T_C = 125^\circ\text{C}$	-	50	-	50	μA
V_{TM}	$I_T = 1.2\text{A}$	-	1.7	-	1.7	V
I_{GT}	$V_D = 7.0\text{V}, R_L = 100\Omega$	-	200	-	200	μA
V_{GT}	$V_D = 7.0\text{V}, R_L = 100\Omega$	-	0.8	-	0.8	V
V_{GD}	$V_D = \text{Rated } V_{DRM}, R_L = 100\Omega, T_C = 125^\circ\text{C}$	0.1	-	0.1	-	V
I_H	$R_{GK} = 1.0\text{K}\Omega$	-	5.0	-	5.0	mA
t_{on}	$V_D = \text{Rated } V_{DRM}, I_{GT} = 1.0\text{mA}, R_{GK} = 1.0\text{K}\Omega, di/dt = 6.0\text{A}/\mu\text{s}$		2.8 TYP		2.8 TYP	μs

CMPS5061
 CMPS5062
 CMPS5063
 CMPS5064



**SURFACE MOUNT
 SILICON CONTROLLED RECTIFIER**

SOT-23 CASE - MECHANICAL OUTLINE



LEAD CODE:

- 1) Cathode
- 2) Gate
- 3) Anode

MARKING CODES:

- CMPS5061: P2A
- CMPS5062: P2B
- CMPS5063: P2C
- CMPS5064: P2D

DIMENSIONS				
SYMBOL	INCHES		MILLIMETERS	
	MIN	MAX	MIN	MAX
A	0.003	0.007	0.08	0.18
B	0.006	-	0.15	-
C	-	0.005	-	0.13
D	0.035	0.043	0.89	1.09
E	0.110	0.120	2.80	3.05
F	0.075		1.90	
G	0.037		0.95	
H	0.047	0.055	1.19	1.40
I	0.083	0.098	2.10	2.49
J	0.014	0.020	0.35	0.50

SOT-23 (REV: R3)

R10 (11-February 2011)

OUTSTANDING SUPPORT AND SUPERIOR SERVICES



PRODUCT SUPPORT

Central's operations team provides the highest level of support to insure product is delivered on-time.

- Supply management (Customer portals)
- Inventory bonding
- Consolidated shipping options
- Custom bar coding for shipments
- Custom product packing

DESIGNER SUPPORT/SERVICES

Central's applications engineering team is ready to discuss your design challenges. Just ask.

- Free quick ship samples (2nd day air)
- Online technical data and parametric search
- SPICE models
- Custom electrical curves
- Environmental regulation compliance
- Customer specific screening
- Up-screening capabilities
- Special wafer diffusions
- PbSn plating options
- Package details
- Application notes
- Application and design sample kits
- Custom product and package development

REQUESTING PRODUCT PLATING

1. If requesting Tin/Lead plated devices, add the suffix "TIN/LEAD" to the part number when ordering (example: 2N2222A TIN/LEAD).
2. If requesting Lead (Pb) Free plated devices, add the suffix "PBFREE" to the part number when ordering (example: 2N2222A PBFREE).

CONTACT US

Corporate Headquarters & Customer Support Team

Central Semiconductor Corp.
145 Adams Avenue
Hauppauge, NY 11788 USA
Main Tel: (631) 435-1110
Main Fax: (631) 435-1824
Support Team Fax: (631) 435-3388
www.centrasemi.com

Worldwide Field Representatives:
www.centrasemi.com/wwreps

Worldwide Distributors:
www.centrasemi.com/wwdistributors

For the latest version of Central Semiconductor's **LIMITATIONS AND DAMAGES DISCLAIMER**, which is part of Central's Standard Terms and Conditions of sale, visit: www.centrasemi.com/terms



<http://www.centrasemi.com>

Product End of Life Notification

PDN ID:	PDN01018
Notification Date:	1/29/16
Last Buy Date:	7/29/16
Last Shipment Date	1/29/17

Summary: The CMPS5061, CMPS5062, and CMPS5063 Silicon Controlled Rectifiers are being discontinued and are now classified as End of Life (EOL).

Although Central Semiconductor Corp. makes every effort to continue to produce devices that have been proclaimed EOL (End of Life) by various manufacturers, it is an accepted industry practice to discontinue certain devices when customer demand falls below a minimum level of sustainability. Accordingly, the following product(s) have been transitioned to End of Life status as part of Central's Product Management Process. Any replacement product will be noted below. The effective date for placing the last purchase order will be six(6) months from the date of this notice and twelve(12) months from the notice date for final shipments; this may be extended if inventory is available.

<u>Central Part Number</u>	<u>Replacement</u>
CMPS5061 BK	CMPS5061 BK H
CMPS5061 TR	CMPS5061 TR H
CMPS5062 BK	CMPS5062 BK H
CMPS5062 TR	CMPS5062 TR H
CMPS5063 BK	CMPS5064 BK
CMPS5063 TR	CMPS5064 TR

Central would be happy to assist you by providing additional information or technical data to help locate an alternate source if we have no replacement available. Please email your requests to engineering@centrasemi.com.

DISCLAIMER: This End of Life (EOL) notification is in accordance with JEDEC standard JESD48 - Product Discontinuance. Central Semiconductor Corp. will make every effort to offer life-time buy (LTB) opportunities and/or offer replacement devices to existing customers for discontinued devices, however, one or both may not be possible for all devices. Please contact your local Central Semiconductor sales representative for LTB opportunities/additional information.