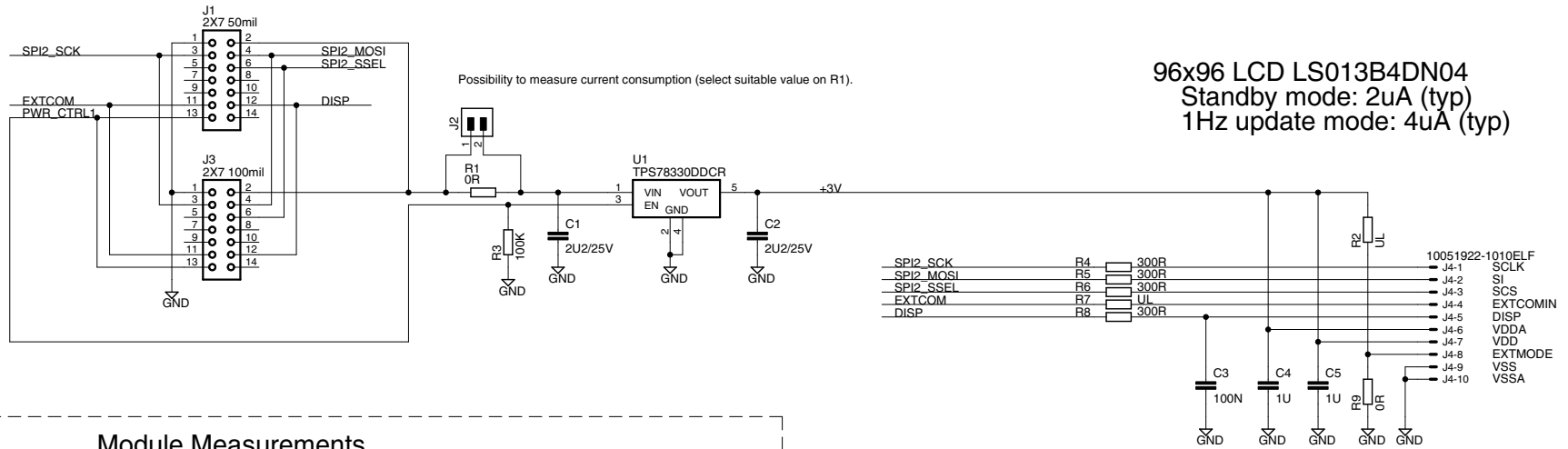


Memory LCD Adapter Module

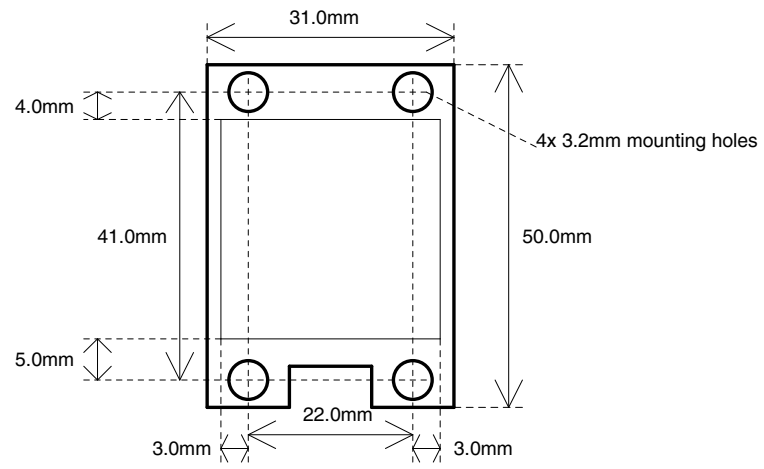
Serial Expansion Connector

1: GND	2: VCC (3.3V, max 250mA)
3: SPI-SCK	4: SPI-MOSI
5: SPI-MISO	6: SPI-SSEL
7: UART-RX/GPIO	8: UART-TX/GPIO
9: I2C-SCL	10: I2C-SDA
11: GPIO	12: GPIO
13: AIN0/GPIO	14: AIN3/AOUT/GPIO



EXTMODE low = COM inversion signal supplied via SPI interface
EXTMODE high = COM inversion signal supplied via EXTCOMIN input

Module Measurements



(C) Embedded Artists AB

TITLE: Memory LCD Adapter Board rev A

Document Number:

Date: 2012-08-22 16:16:11 Sheet: 1/1