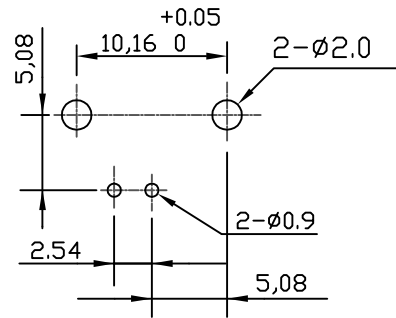
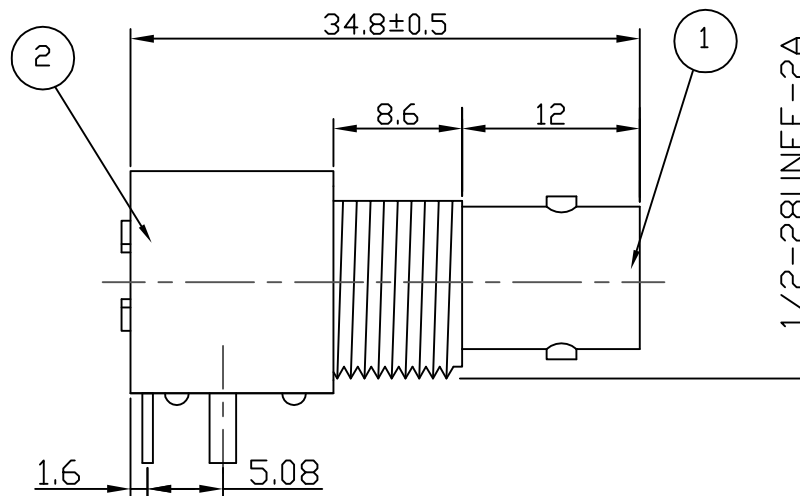
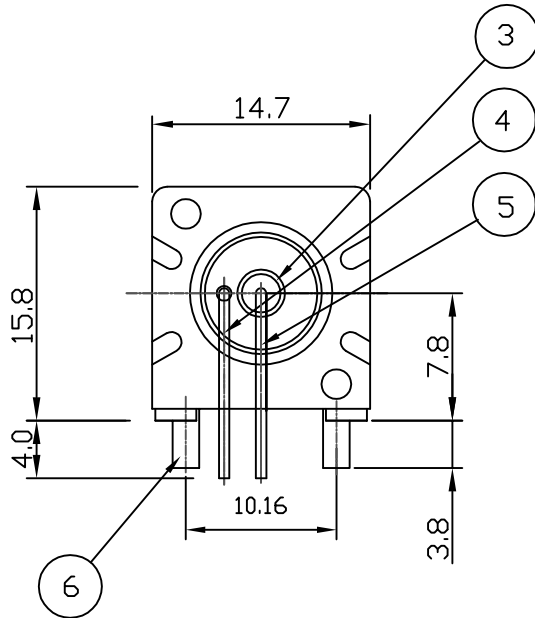
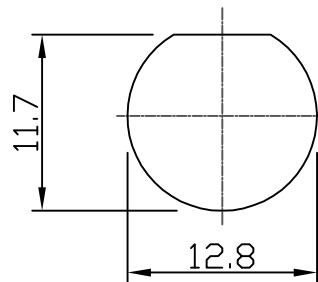


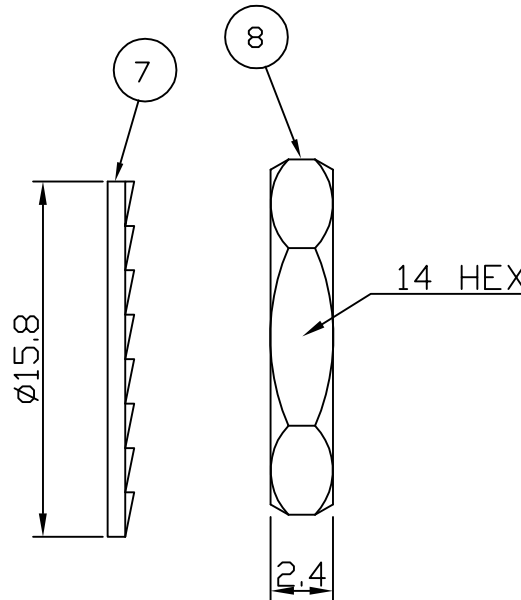
RoHS COMPLIANT



RECOMMENDED PCB LAYOUT



RECOMMENDED PANEL CUTOUT



Electrical Characteristics

| | |
|-------------------------------------|-----------------------------|
| Nominal Impedance: | 75 ohms |
| Frequency Range: | DC to 1 GHz |
| VSWR: | 1.3:1 maximum |
| Insertion Loss: | 0.2 dB at 1 GHz |
| Operating Voltage (rms): | 500 V maximum at sea level |
| Dielectric Withstand Voltage (rms): | 1500 V maximum at sea level |
| Contact Resistance: | 1.5 milliohms maximum |
| Insulation Resistance: | 5000 megohms minimum |

Mechanical Characteristics

| | |
|-----------------------|------------------------|
| Mating Cycles: | 500 cycles minimum |
| Interface Dimensions: | Conform to MIL-C-39012 |

Environmental Characteristics

| | |
|--------------------|-------------------|
| Temperature Range: | -65 °C to +165 °C |
|--------------------|-------------------|

| PART | DESCRIPTION |
|------|--|
| 1 | Shell Zinc Alloy, nickel plated |
| 2 | Body P.B.T. UL94V-0 |
| 3 | Dielectric Polypropylene |
| 4 | Ground Terminal Brass, tin plated |
| 5 | Socket Contact Phosphor Bronze, gold plated |
| 6 | Mount Post Brass, tin plated >5 Microns |
| 7 | Lock Washer Iron, nickel plated |
| 8 | Hex Nut Zinc, nickel plated |

| DESCRIPTION OF REVISION | APPVD | ISS | DATE |
|-------------------------|-------|-----|-----------|
| Dimension Update | JC | 7 | 13 May 15 |
| 1.6 Dimension Added | LB | 6 | 20 May 10 |
| Dimensional Changes | MS | 5 | 07 May 08 |
| Dimensional Changes | KA | 4 | 13 Mar 08 |
| CAD Issue | SN | 3 | 14 Jan 02 |
| Dimensional changes | PDC | 2 | 04 Feb 00 |
| First Issue | AT | 1 | 19 Dec 97 |



11 Bilton Road,
Chelmsford, Essex,
CM1 2UP UK.
Tel: +44 (0) 1245 359515
Fax: +44 (0) 1245 358938

SCALE: Not To Scale

DIMENSIONS: mm

TOLERANCES:
± 0.2mm unless
otherwise stated

| | |
|--------------|-----------|
| DRAWN BY: | S Nash |
| CHECKED BY: | S Nash |
| APPROVED BY: | M Nielsen |
| DATE: | 14 Jan 02 |

TITLE:

BNC R/A PCB Mount Jack

PART NUMBER:

VBI201-75

PAGE: 1 of 1