

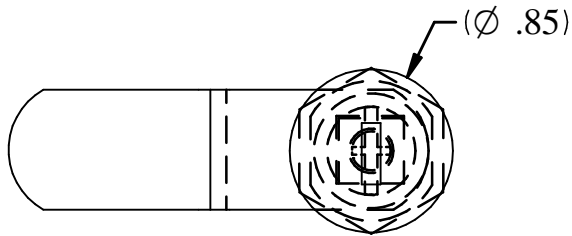
PART No. 1427LKN4

for more information visit

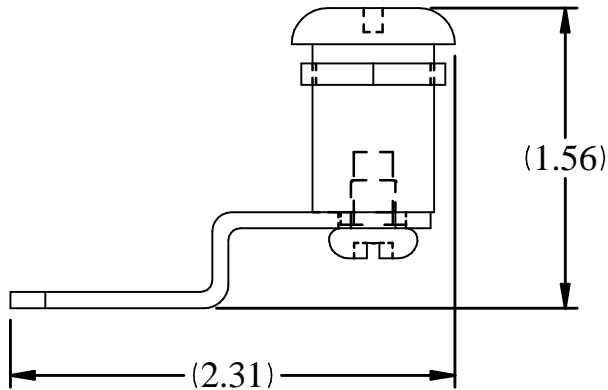
www.hammondmfg.com

Data subject to change without notice

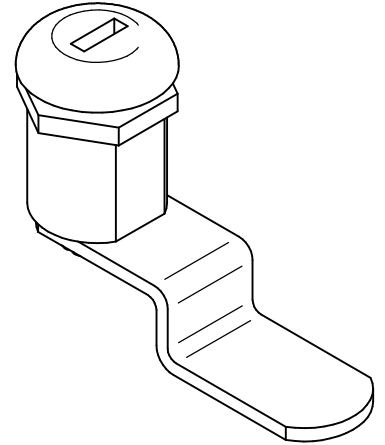
Isometric drawing Not to Scale



TOP VIEW



FRONT VIEW



ISOMETRIC VIEW