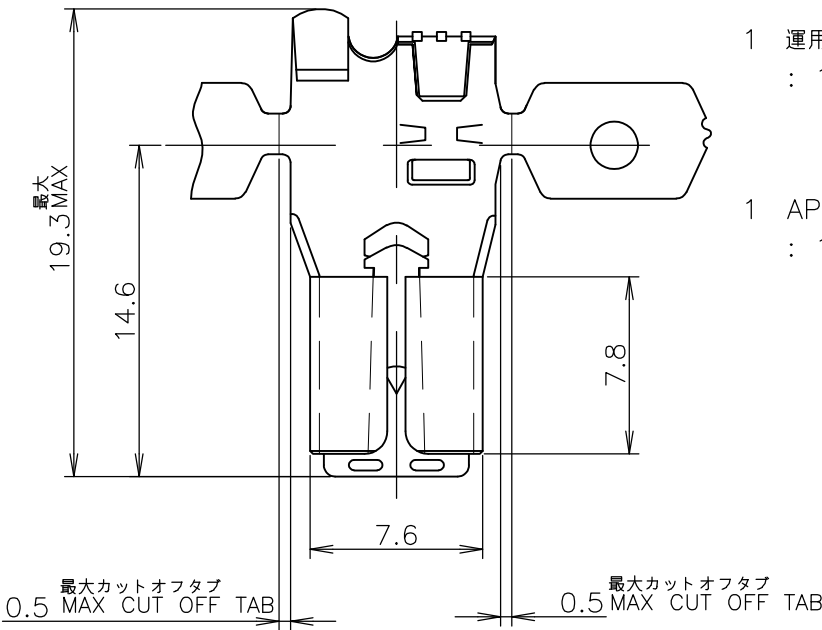
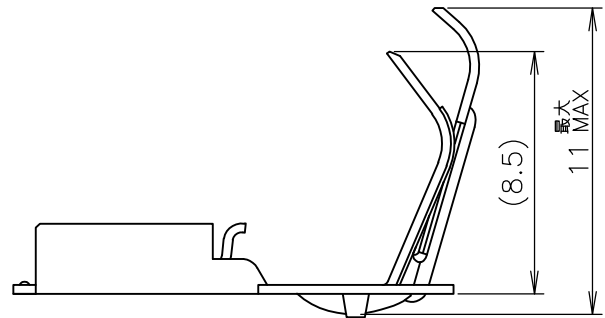
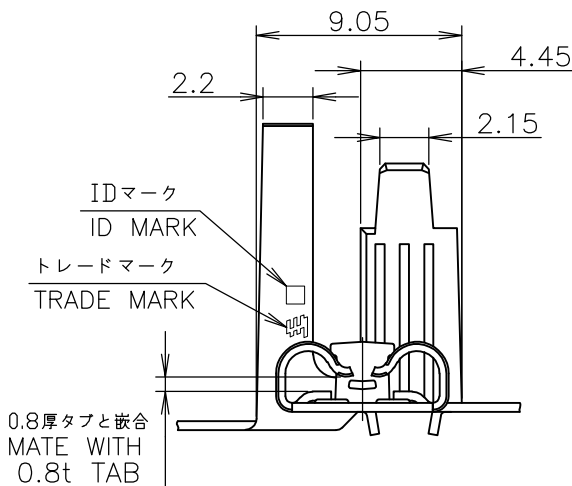


LOC J	DIST /	REVISIONS 変更			DATE	DWN	APVD
		P	LTR	DESCRIPTION			
			D1	REVISED PER ECO-11-005030	11MAR11	RK	HMR

-1, -2; AS SHOWN



- 1 運用スリーブ型番
: 1717268-X, 176497-X, 2013799-X
- 1 APPLICABLE SLEEVE P/N
: 1717268-X, 176497-X, 2013799-X



	PRE TIN COPPER ALLOY 0.4t 錫めっき付銅合金 0.4t	175057-2
	PRE TIN BRASS 0.4t 錫めっき付 黄銅 0.4t	175057-1
LOOSE PIECE NO. ばら状端子型番	MATERIAL 材料	P/N 型番

WIRE RANGE 抱合電線断面積	AWG #18-#12 0.75~3.37 mm ²	INSULATION DIA 被覆外径	2.8~4.1 mmφ
-----------------------	--	------------------------	-------------

THIS DRAWING IS UNPUBLISHED. NOV, 2007. ALL RIGHTS RESERVED.

COPYRIGHT 2007 By -

DIMENSIONS: 単位: 耗 mm	DWN J.SATO 15NOV2007
TOLERANCES UNLESS OTHERWISE SPECIFIED: 一般公差	CHK S.MANABE 15NOV2007
0 PLC ±	APVD S.MANABE 15NOV2007
1 PLC ± 10 ≥ : ±0.2	PRODUCT SPEC 製品規格 108-5254
2 PLC ± 30 ≥ > 10: ±0.25	APPLICATION SPEC 取付適用規格 114-5122
3 PLC ± 100 ≥ > 30: ±0.3	WEIGHT
4 PLC ±	ANGLES ± 3°

MATERIAL 材料 表参照	SEE TABLE	FINISH 仕上	
		TE Connectivity	
		NAME 名称 250 SERIES FLAG POSITIVE LOCK EX 250 シリーズ 旗型ポジティブロックEX	
SIZE	CAGE CODE	DRAWING NO 番号	RESTRICTED TO
A4	00779	175057	

CUSTOMER DRAWING	SCALE 尺度	NTS	SHEET 1 OF 1	REV D1
------------------	-------------	-----	-----------------	-----------