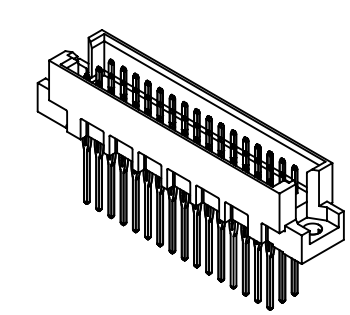
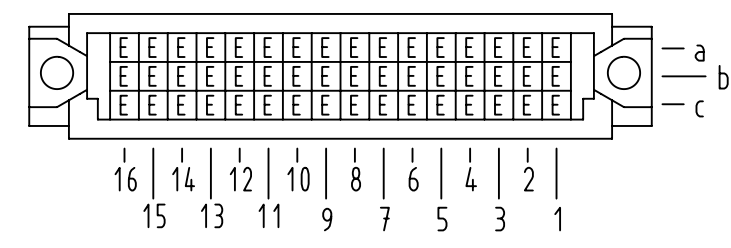


X Kontaktbelegung contact loading



Empfohlener Lochaufbau und weitere Informationen siehe: DS 09 73 110 00 01
recommended configuration of plated through holes and further information see: DS 09 73 110 00 01

09 28 148 7985	3
09 28 148 6985	2
09 28 148 2985	1
Bestell-Nr. part-no.	Anforderungsstufe performance level 1

	All Dimensions in mm Original Size DIN A3	Scale 1:1	Free size tol. complementary IEC 60603-2	Ref. Sub. TB 09 28 148 x985 Mod.35540 vom 16.07.09	
	All rights reserved Department EC PD - DE	Created by HAGEMEYERE	Inspected by LEHNERT	Standardisation HOFFMANN	Date 2013-01-15
HARTING Electronics GmbH D-32339 Espelkamp		Title DIN Signal type 2R male press-in 13mm			Doc-Key / ECH-Nr. 100177218/UGD/058/B 50000057951
		Type TB	Number 0928148X985	Rev. B	Page 1/1