

**Ratings**

Voltage: 12 Vdc  
Current: 4 A

**Operating Temperature Range**

-10° to 60° C

**Materials**

1. Insulator: PBT, black
2. Pin: copper alloy, nickel plated
3. Shell: brass, nickel plated
4. Spring contact: stainless steel, nickel plated
5. Spring contact collar: copper alloy, nickel plated
6. Solder tab: brass, nickel plated
7. Split washer p/n 56-00001: cold rolled steel, nickel plated
8. Nut p/n 56-00000: brass, nickel plated

**Electrical Requirements**

Dielectric strength: 1 min @ 500 Vac  
Insulation resistance: 100 MΩ @ 500 Vdc  
Contact resistance: 50 mΩ or less

**Mechanical Requirements**

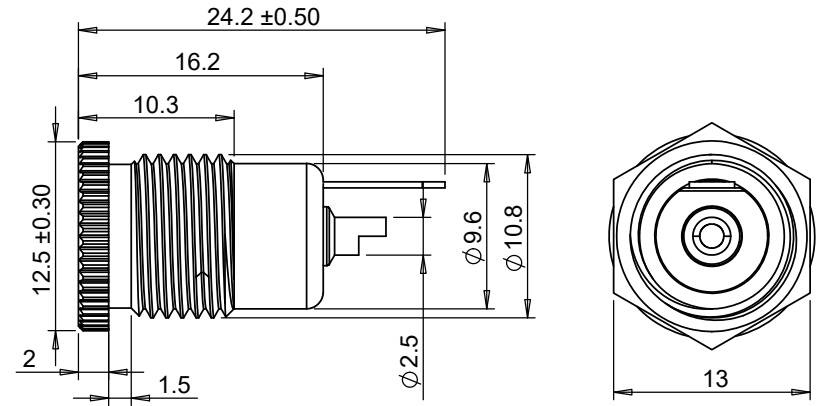
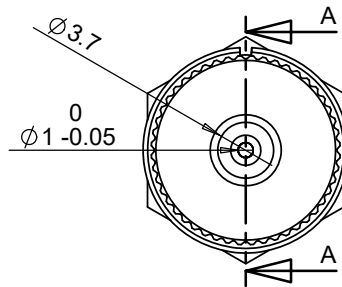
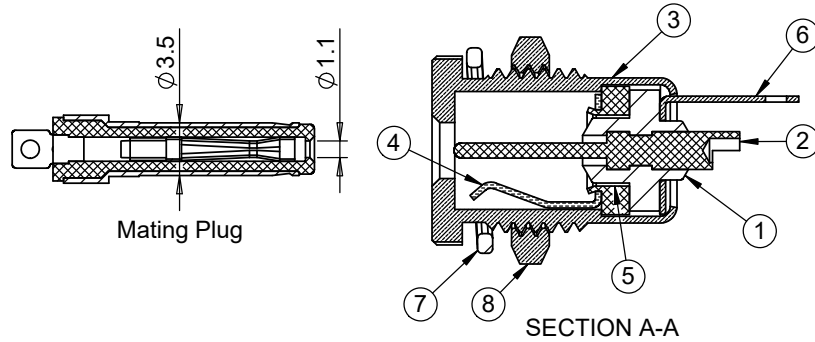
Insertion force: 0.3-3 kgf  
Withdrawal force: 0.2-3 kgf  
Terminal strength: a static load of 150 gf shall be applied to the terminal for 15 seconds in any direction.  
Life cycle: 5000 mating cycles while maintaining less than 100 mΩ contact resistance, 50MΩ insulation resistance minimum, and dielectric strength of 500 Vac for 1 minute withstand voltage.

**Soldering**

Solderability: 75% minimum coverage when terminals dipped 2mm in 245 ±5 °C solder bath for 3 ±0.5 seconds  
Solder bath durability: no deformation when immersed in 255 ±5 °C bath for 5 seconds or less  
Solder iron durability: no deformation when exposed to 350 ±10 °C for 3 ±0.5 seconds

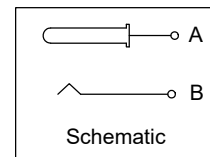
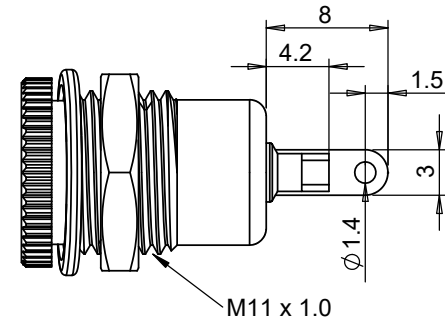
**Environmental Requirements**

Cold test: -25 ±3 °C for 48 hours without deformation  
Heat test: 70 ±2 °C for 48 hours without deformation  
Humidity test: 40 ±2 °C, relative humidity 90-95% for 48 hours without deformation

**Installation Details**

Panel thickness: 1.0 - 4.5 mm

Panel cutout Ø: 11.0 - 12.0 mm



Revision:	Date:	Description:	Prepared:	Notes:	<h1>TENSILITY</h1> <p>tel 1.541.323.3228 800 877.670.7118 fax 1.541.323.4202 web tensility.com</p>
A	8/4/2016	Initial release	Verified:	RoHS and REACH compliant Function test: no open, no short circuit, no intermittent	
A1	1/3/2017	Updated materials list	Dimensions are in millimeters. Tolerances: X: ± 0.5 mm X.X: ± 0.3 mm X.XX: ± 0.05 mm	Description: Connector, dc jack, 3.5x1.1xL24.2 mm, panel mount, threaded, nut and washer, brass, nickel	
			Size:	Part number:	
			A	54-00060	
			Scale: 2:1		Sheet 1 of 1