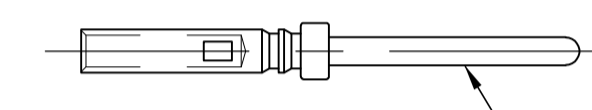
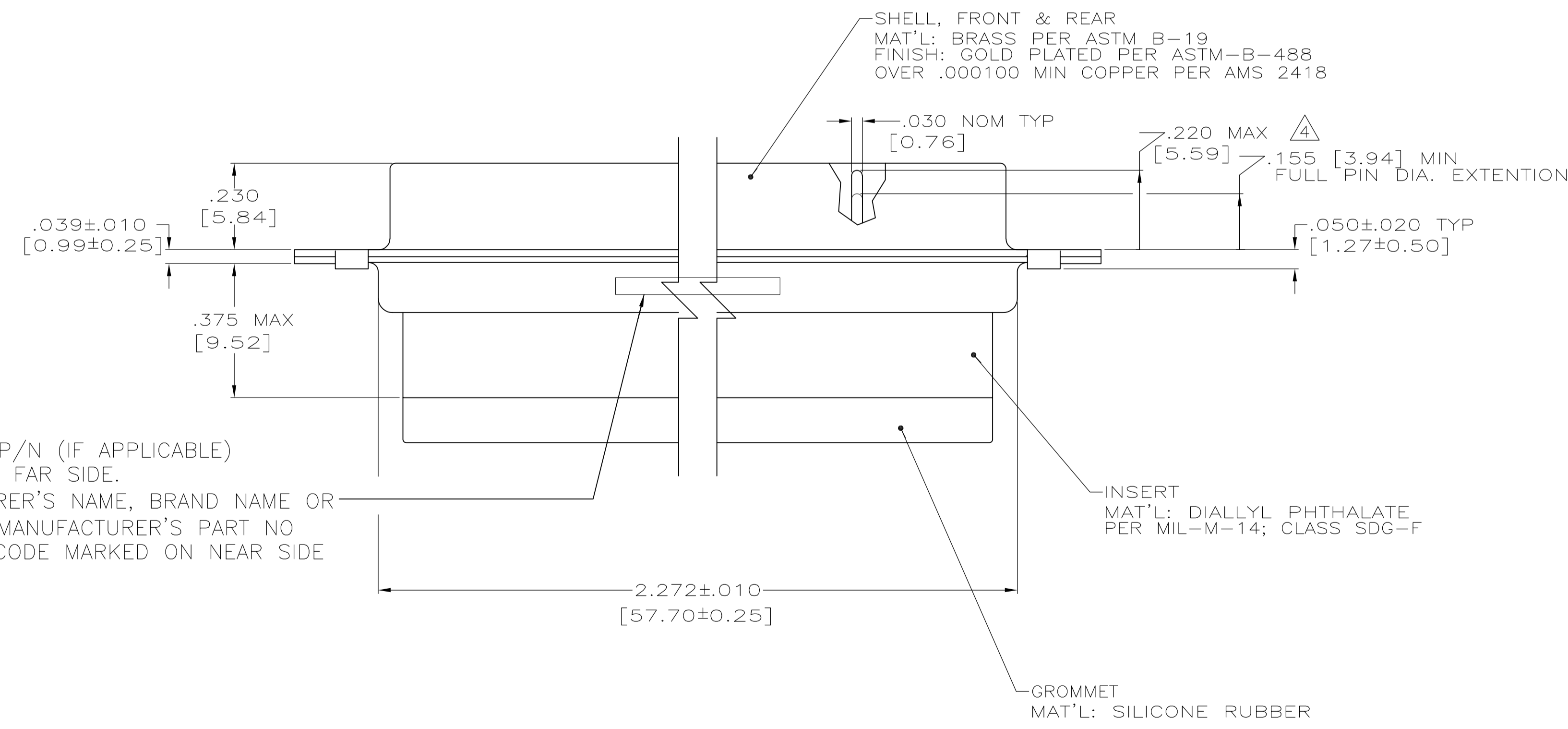


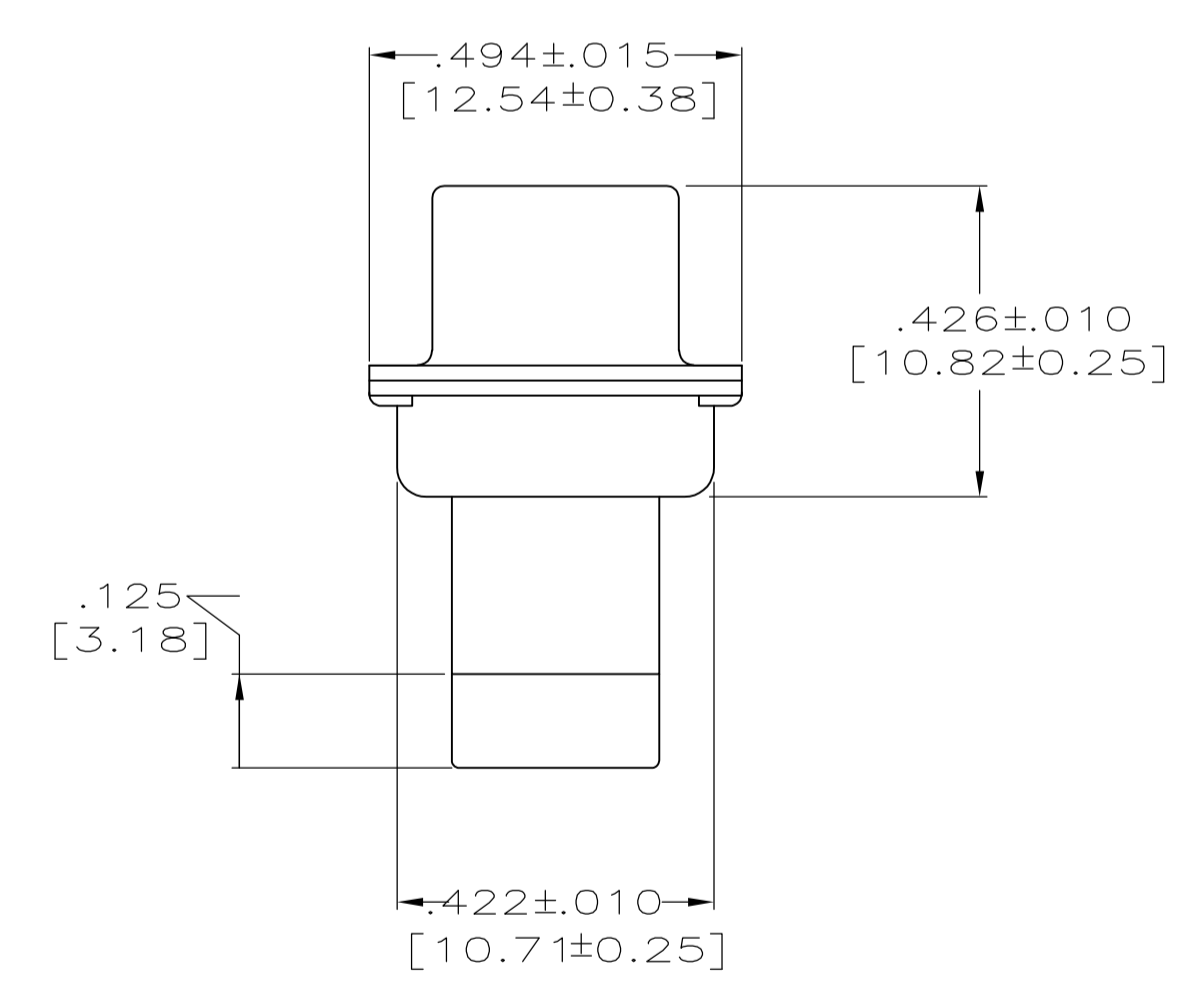
1. THIS PLUG WILL MATE WITH ANY SIZE 4, 62 POSN. RECEPTACLE IN AMPLIMITE SERIES.
2. OVERALL DIMENSIONS DO NOT INCLUDE RAISED CAVITY IDENTIFICATION.
3. BE-CU RETENTION CLIPS ARE INCLUDED AND INSTALLED WITH TINES POINTING TOWARDS MATING FACE.
4. CONNECTOR SUPPLIED WITHOUT CONTACTS. SHOWN FOR ILLUSTRATION ONLY.
5. MARKING ON FAR SIDE REFERS TO WIDE SIDE OF KEYSTONE. NEAR SIDE REFERS TO NARROW SIDE OF KEYSTONE.
6. 100% INSPECTION REQUIRED PER BOEING 1B01:
 - A. VISUAL
 - B. DWV
 - C. IR
7. CUSTOMER REQUIRES SINGLE LOT DATE CODE.
8. SPECIAL REQUIREMENTS:
 - A. TEST TWO CONNECTORS PER LOT FOR COMPLIANCE TO GROMMET PEEL STRENGTH REQUIREMENTS.
 - B. TEST ALL CIRCUIT CAVITIES FOR MISALIGNMENT OR EXCESSIVE ADHESIVE.



PIN CONTACT:
 MATERIAL: BRASS
 PLATING: GOLD PER MIL-Q-45204
 OVER COPPER PER MIL-C-14550.



CUSTOMER P/N (IF APPLICABLE)
 MARKED ON FAR SIDE.
 MANUFACTURER'S NAME, BRAND NAME OR
 LOGO AND MANUFACTURER'S PART NO
 AND DATE CODE MARKED ON NEAR SIDE



PIN CONTACTS INCLUDED IN KIT	6	1B01-034PHW	1-211676-1
	-	B010648-0007	211676-7
	7	-	211676-4
	8	2A065-016V-001	211676-2
	6	1B01-034	211676-1
REMARKS	CUSTOMER PART NO.	PART NO.	

THIS DRAWING IS A CONTROLLED DOCUMENT.		DWN C.C. THOMAS 4-4-90	Tyco Electronics Corporation Harrisburg, PA 17105-3608	
DIMENSIONS: INCHES		CHK F. KINSEY 4-4-90	NAME F. KINSEY	
TOLERANCES UNLESS OTHERWISE SPECIFIED:		APVD F. KINSEY 4-5-90	PRODUCT SPEC	
0 PLC ± -	1 PLC ± -	APPLICATION SPEC	SIZE	
2 PLC ± -	3 PLC ± .005 [0.13]	ANGLE ± 0°30'	CAGE CODE DRAWING NO	
MATERIAL SEE CALLOUTS		FINISH SEE CALLOUTS	WEIGHT -	RESTRICTED TO
		A1 00779 211676		CUSTOMER DRAWING
		SCALE 4:1	SHEET 1 OF 1	REV L